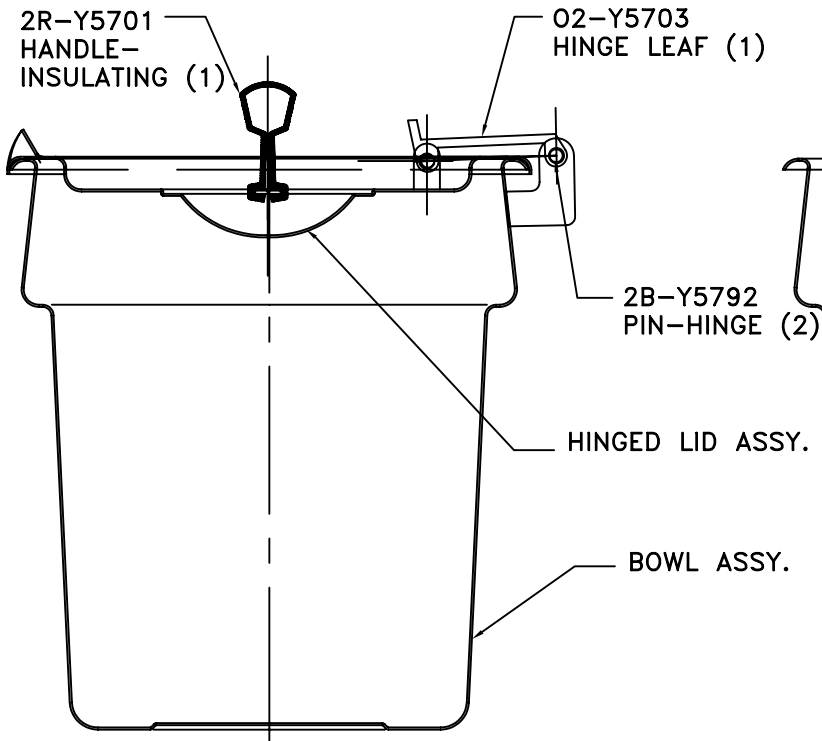


OPERATING INSTRUCTIONS

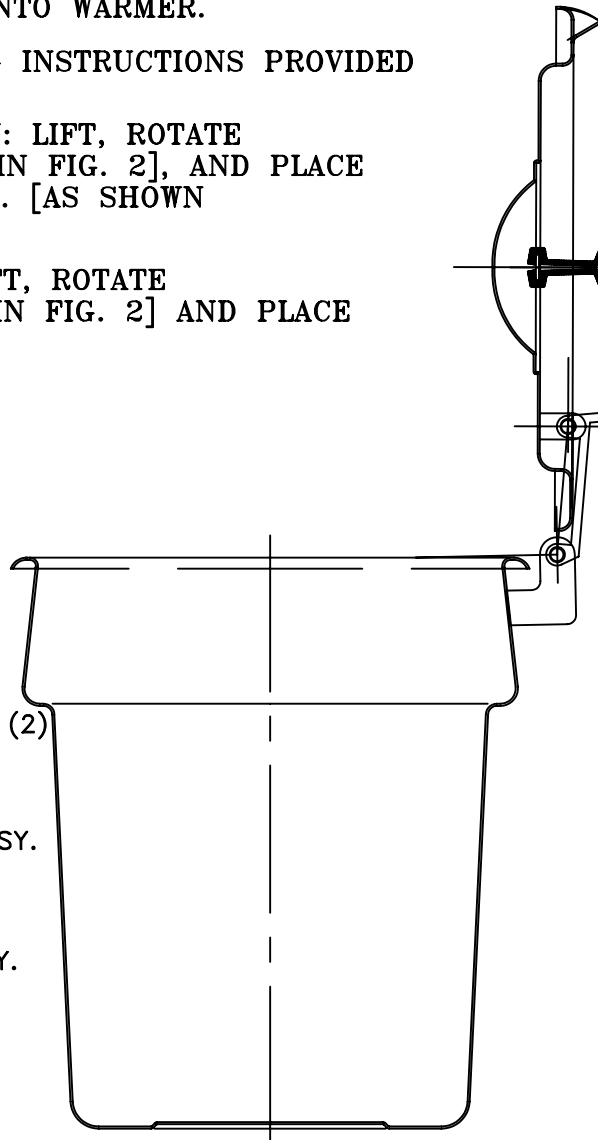
1. BEFORE USING WASH ALL PARTS IN HOT SOAPY WATER AND RINSE THOROUGHLY. REPEAT WASHING PROCEDURE OF ALL PARTS DAILY OR MORE OFTEN, AS NEEDED.
2. PLACE BOWL ASSY. WITH FOOD PRODUCT INTO WARMER.
3. TO OPERATE UNIT FOLLOW THE OPERATING INSTRUCTIONS PROVIDED WITH THE WARMER.
4. TO PLACE COVER IN FIXED OPEN POSITION: LIFT, ROTATE WITH HINGE-LEAF(O2-Y5703) [AS SHOWN IN FIG. 2], AND PLACE COVER ONTO THE RIM OF THE BOWL ASSY. [AS SHOWN IN FIG. 3].
5. TO PLACE COVER IN CLOSED POSITION: LIFT, ROTATE WITH HINGE-LEAF(O2-Y5703) [AS SHOWN IN FIG. 2] AND PLACE FLAT ONTO THE RIM OF BOWL ASSY.

PART NUMBERS	4 QUART	7 QUART	11 QUART
COMPLETE ASSY.	N2-30440	O1-RW0000	O1-RW0001
BOWL ASSY.	N2-30437	O1-RW0002	O1-RW0004
HINGED LID ASSY.	N2-30436	O1-RW0003	O1-RW0005

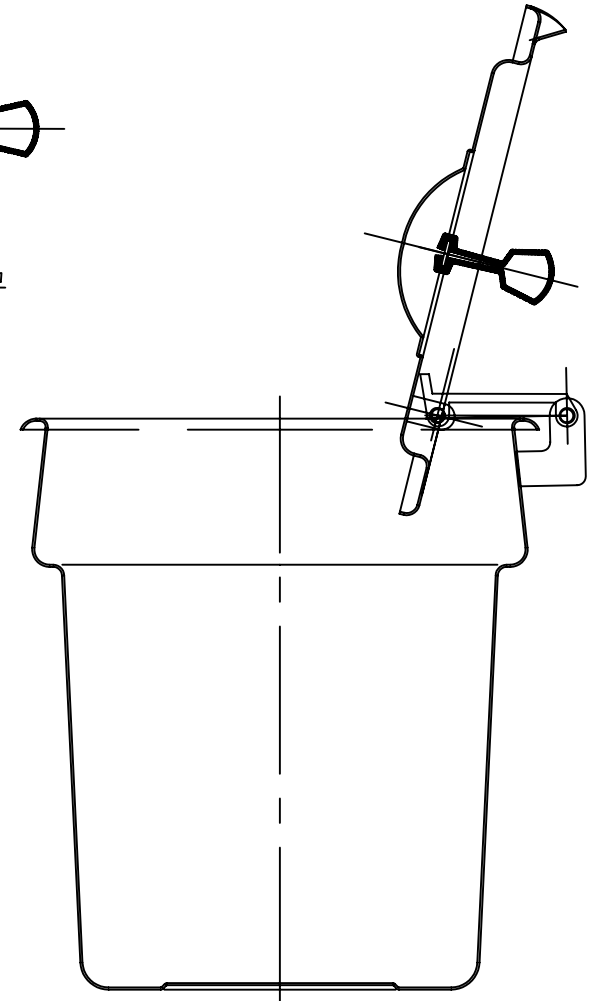
△ ADDED 4 QT. INFORMATION



BOWL ASSY. WITH COVER CLOSED
FIG. 1



BOWL ASSY. WITH COVER OPEN
FIG. 2



BOWL ASSY. WITH COVER FIXED OPEN
FIG. 3