

STAR MANUFACTURING COMPANY

9325 Olive Blvd., P.O. Box 8492
St. Louis, MO 63132

'SR' SERIES HEAT LAMPS & ACCESSORIES

CAUTION: This equipment is designed and sold for commercial use only by personnel trained and experienced in its operation and is not sold for consumer use in and around the home nor for use directly by the general public in food service locations. For equipment to be used by the general public, please contact the factory.

GENERAL INSTALLATION DATA

The 'SR' Series Heat Lamps are equipped for the voltage indicated on the nameplate mounted next to the 7/8 dia. knockout on the side of the unit. **DO NOT CONNECT TO DIRECT CURRENT (DC).**

INSTALLATION:

The installation of this product should conform to:

**NATIONAL ELECTRIC CODE AND ALL ELECTRIC CODES
AND ORDINANCES AND THE LOCAL ELECTRIC COMPANY
RULES AND REGULATIONS**

We recommend that a qualified electrician, familiar with electrical codes and installations, install this unit.

POWER SUPPLY:

These units are wired for operation on single phase power supply only. The supply circuit should be properly fused and equipped with a means of disconnection, as required by local electrical code. The body of the appliance should be grounded. Do not ground to a gas supply line. Proper connections and power supply are essential for efficient performance. The external wiring for the 'SR' Basic and Tandem should be in metal conduit or an approved flexible cable suitable for operation at 90°C and the proper size to carry the load. A cord kit is available - 1200 watts maximum. The SR24P units are supplied with lead in cord & plug.

ELECTRICAL DATA

MODEL	WATTAGE	AMPS	
		120V	240V
All SR24PS-, SR24PQ-	500	4.2	2.1
All SR24 Units	500	4.2	2.1
All SR36 Units	750	6.25	3.13
All SR48 Units	1000	8.3	4.2

CONNECTION - SINGLE UNIT: (SEE FIG. 1)

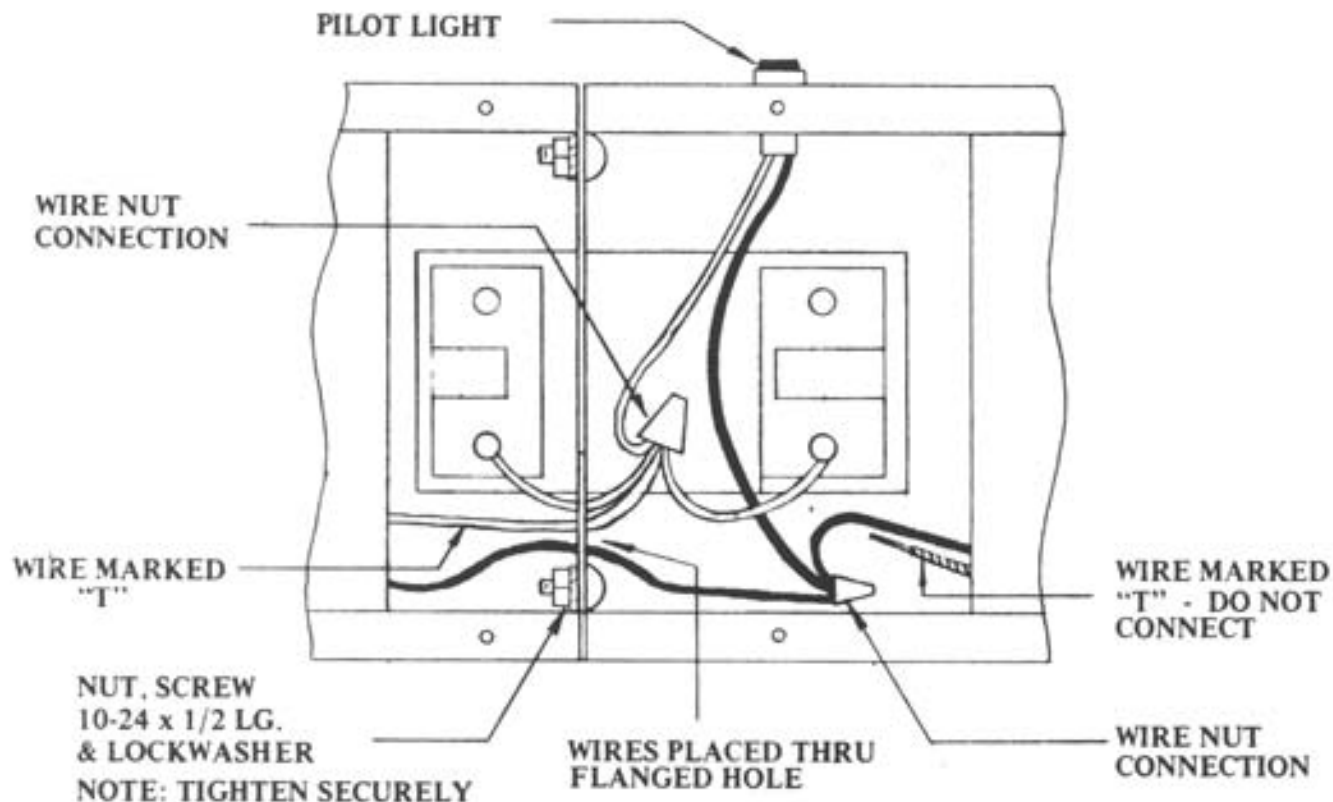
NOTE: ALL UNITS CONTAIN A LENGTH OF WIRE MARKED "T". THIS IS USED FOR TANDEM CONNECTION ONLY! DO NOT USE ON SINGLE UNIT ELECTRICAL HOOK-UP'

ALL SR24 THRU SR48 UNITS ONLY: (EXCEPT PEDESTAL MODEL)

Remove 2 screws holding the cover to the box and remove. Install supply wiring thru one of the knockouts provided. Attach ground wire to green hex head screw in place. All wires must be spliced or joined to be electrically and mechanically secure and be covered with an insulation equal to that of the wire. Loose, or improperly made connections can result in arcing which can easily cause a fire. Replace access panel.

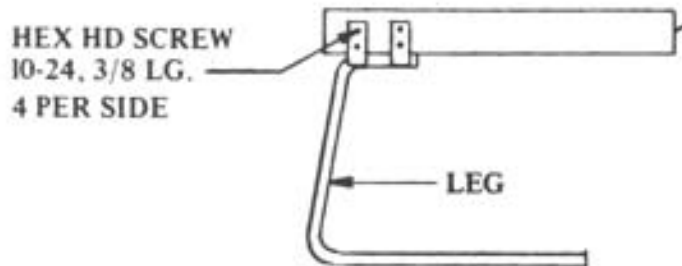
CONNECTION - TANDEM UNITS

Place units on a flat surface for assembly of Tandem Connection. Remove small access panel of unit with Electrical Supply Connections and remove large access panel of other unit to be connected in Tandem. Connect supply wire of suitable size to handle the combined wattage and amp ratings of both units. Attach additional wire, marked "T", into Supply Line as shown on wiring diagram for Tandem Units. (NOTE: DO NOT REMOVE KNOCKOUT PLUG ON TANDEM UNIT.) Secure units with the nuts and bolts provided in Tandem Kit and then connect wires as shown below. Attach Tandem Access Plate from kit and secure with screws removed when access panels were removed. Discard original panels.



NOTE: A TANDEM CONNECTION OF 2 UNITS IS THE MAXIMUM RECOMMENDED ON ONE SUPPLY LINE.

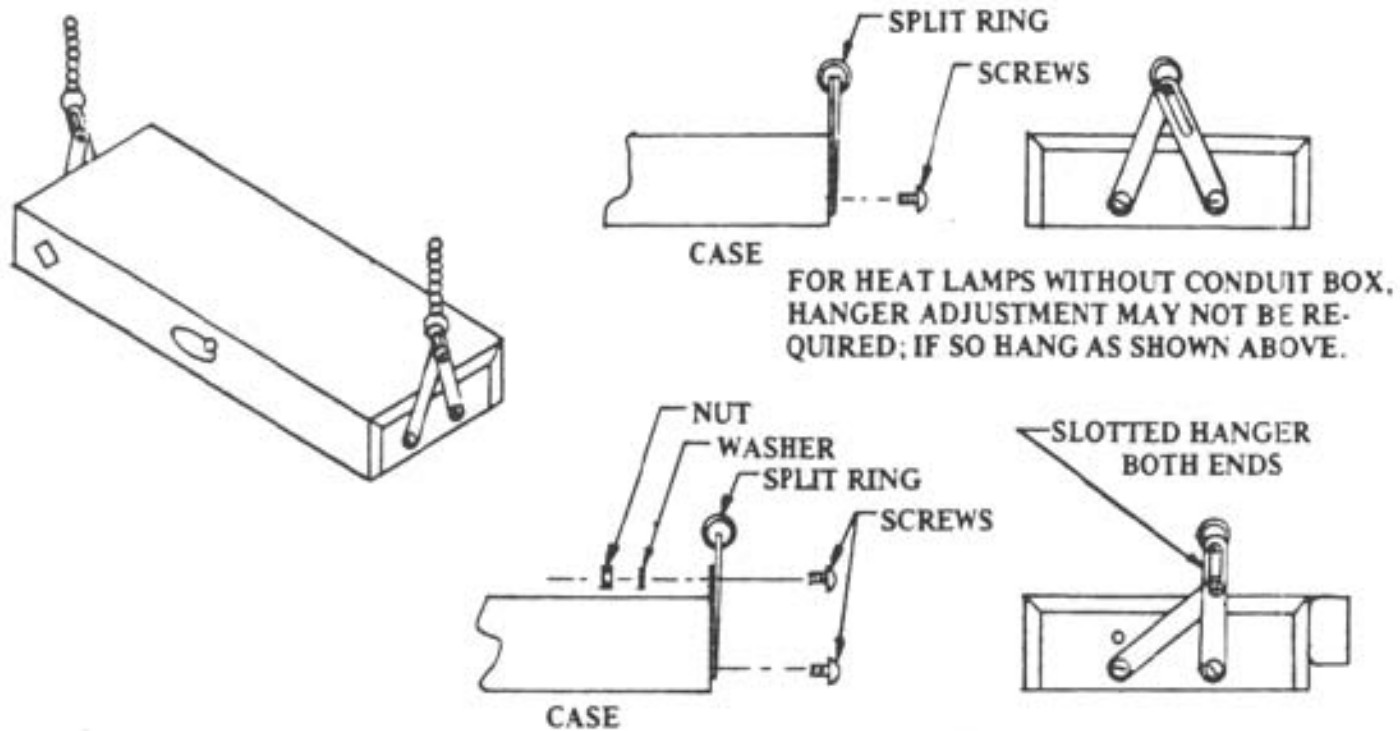
LEVELING - PEDESTAL BASE UNITS ONLY (SR24PS - PQ)



Attach legs to case with hex head screws as shown. Assemble loosely and adjust legs on flat mounting surface with lamp level before tightening screws securely.

NOTE: PEDESTAL UNIT TO BE USED ONLY WITH LEGS ATTACHED.

INSTRUCTIONS FOR USE OF CHAIN HANGERS FURNISHED WITH HEAT LAMP

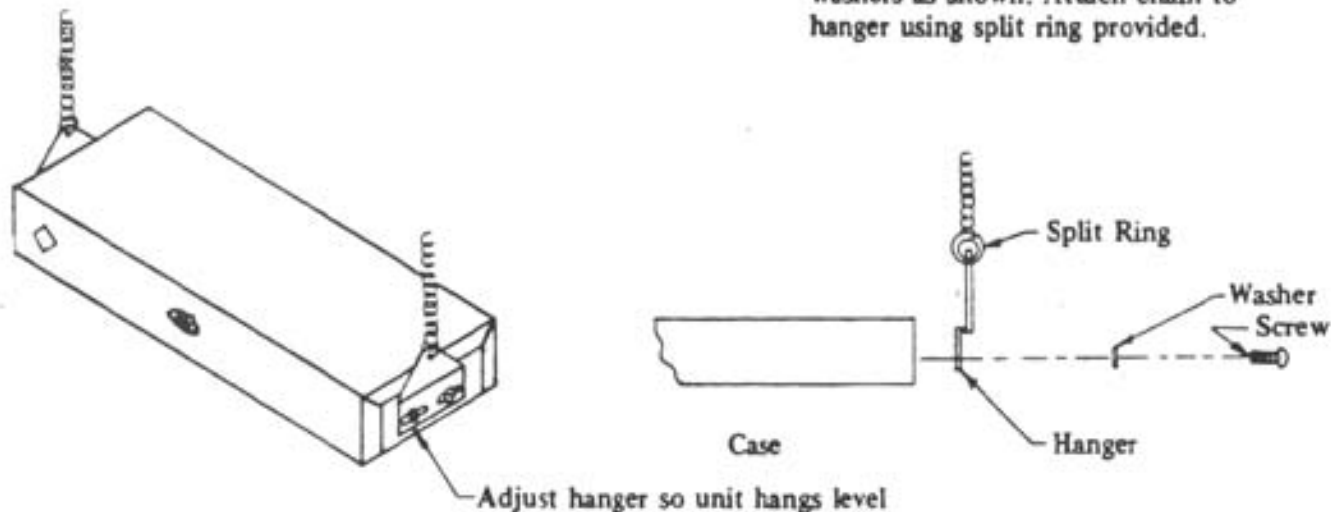


1. TO ADJUST HANGERS SO HEAT LAMP HANGS LEVEL, ATTACH HANGERS AS SHOWN.
 2. LEAVE SCREWS LOOSE ENOUGH TO PIVOT HANGERS.
 3. ATTACH CHAINS (NOT FURNISHED) TO HANGING SURFACE AND SPLIT RINGS ON HANGERS.
 4. PIVOT HANGERS SO HEAT LAMP HANGS LEVEL AND TIGHTEN ALL SCREWS.
- NOTE: UNIT SHOULD BE MOUNTED 12 INCHES (MINIMUM) ABOVE COUNTER SURFACE, 3 INCH (MINIMUM) FROM WALLS AND 2 INCH (MINIMUM) FROM TOP OF UNIT TO ANY SURFACE.

ACCESSORIES

CHAIN HANG KIT

Assemble chain hanger to lower holes on ends of lamp using screws and washers as shown. Attach chain to hanger using split ring provided.

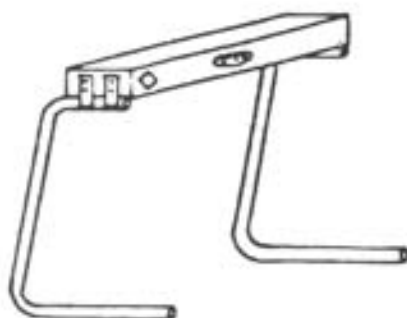


NOTE: UNIT SHOULD BE MOUNTED 12 IN. (MIN.) ABOVE COUNTER SURFACE, 3 INCH (MINIMUM) FROM WALLS AND 2 INCH (MINIMUM) FROM TOP OF UNIT TO ANY SURFACE

ACCESSORIES

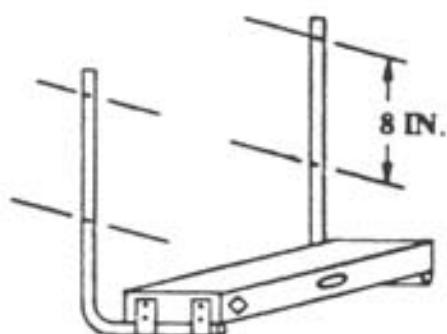
"C" LEG KIT: Attach one leg to each end of lamp as shown below.

4 SCREWS
PER END
10 - 24 x 3/8 LG.



WALL MOUNT KIT: Attach wall brackets to lamp as shown below.

4 SCREWS
PER END
10 - 24 x 3/8 LG.



1/4 dia. holes (spaced 8 inches apart)
provided in brackets for mounting
to wall.

NOTE: UNIT SHOULD BE MOUNTED
3 INCHES (MINIMUM) FROM WALLS,
12 INCHES (MINIMUM) FROM TABLE
OR COUNTER TOP AND 2 INCHES
(MINIMUM) FROM TOP OF UNIT TO
ANY SURFACE.

FIGURE 1

