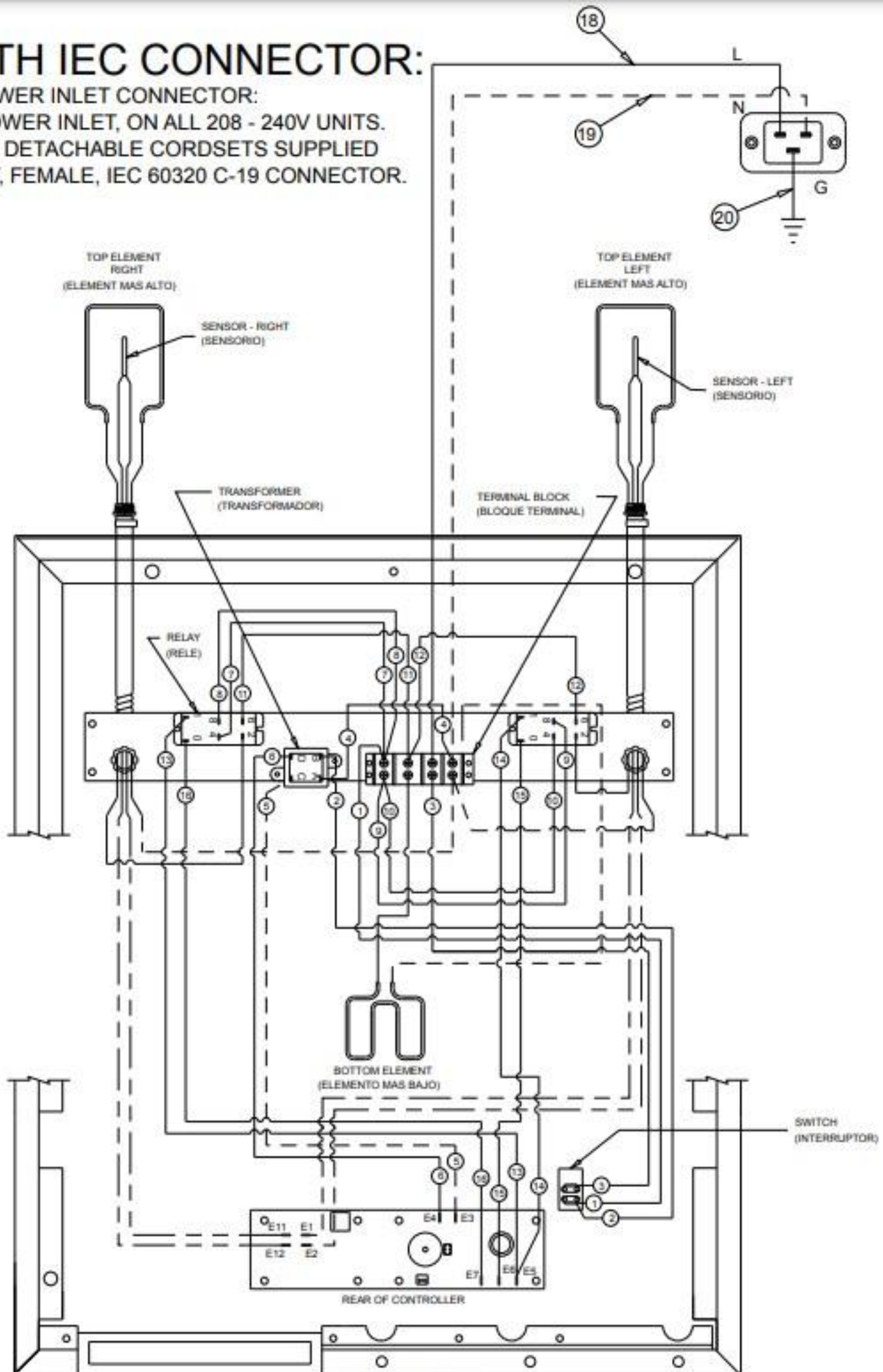


UNITS WITH IEC CONNECTOR:

POWER INLET CONNECTOR:

IEC 320 C-20 POWER INLET, ON ALL 208 - 240V UNITS.
FOR USE WITH DETACHABLE CORDSETS SUPPLIED
WITH A STRAIGHT, FEMALE, IEC 60320 C-19 CONNECTOR.

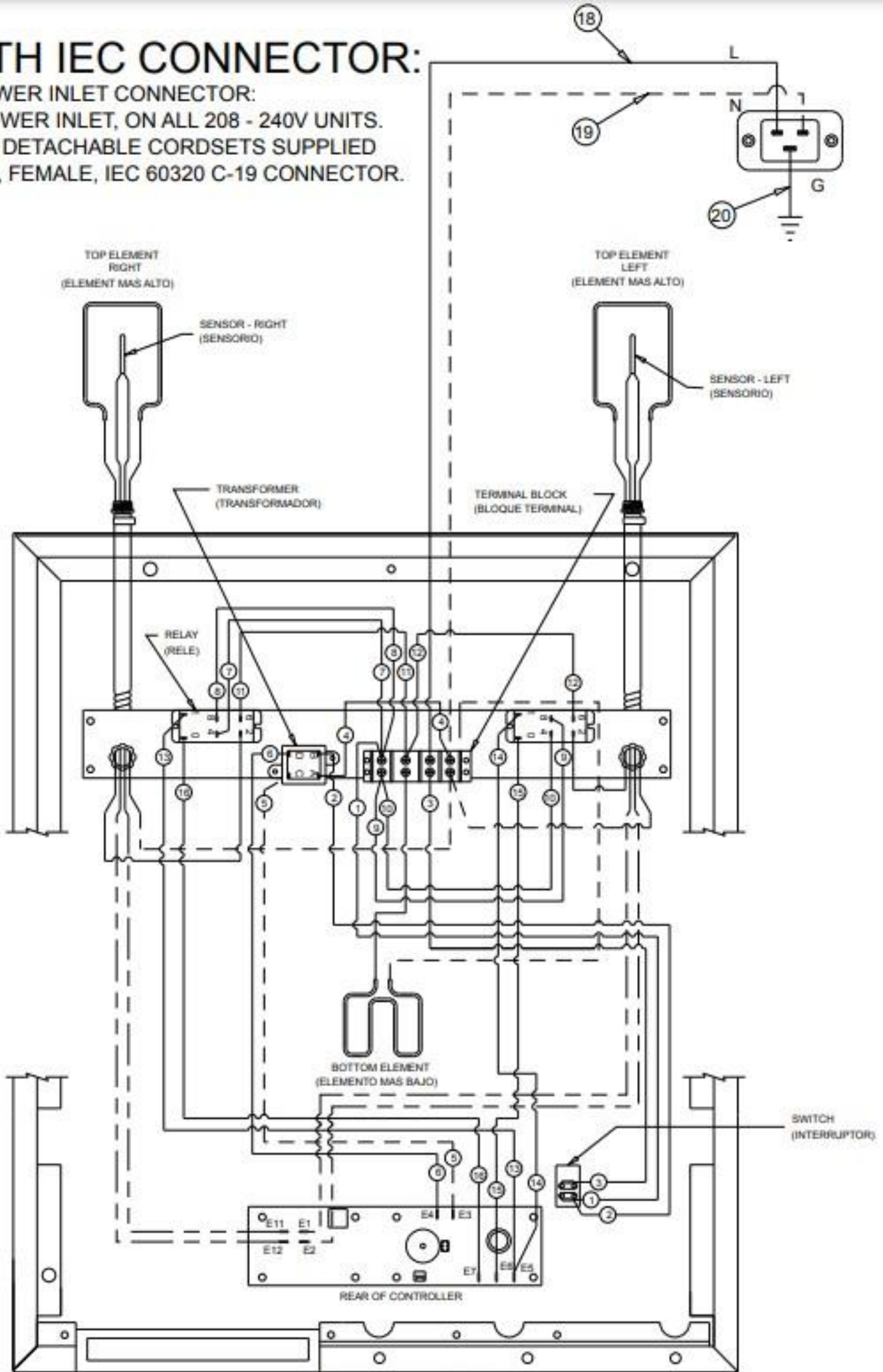


FOR REFERENCE
WIRING DIAGRAM IS SHOWN AS UNIT IS ASSEMBLED
WITH THE BOTTOM PLATE REMOVED. THE TOP
DESCRIPTIONS ARE THEIR POSITIONS WHEN UPRIGHT.

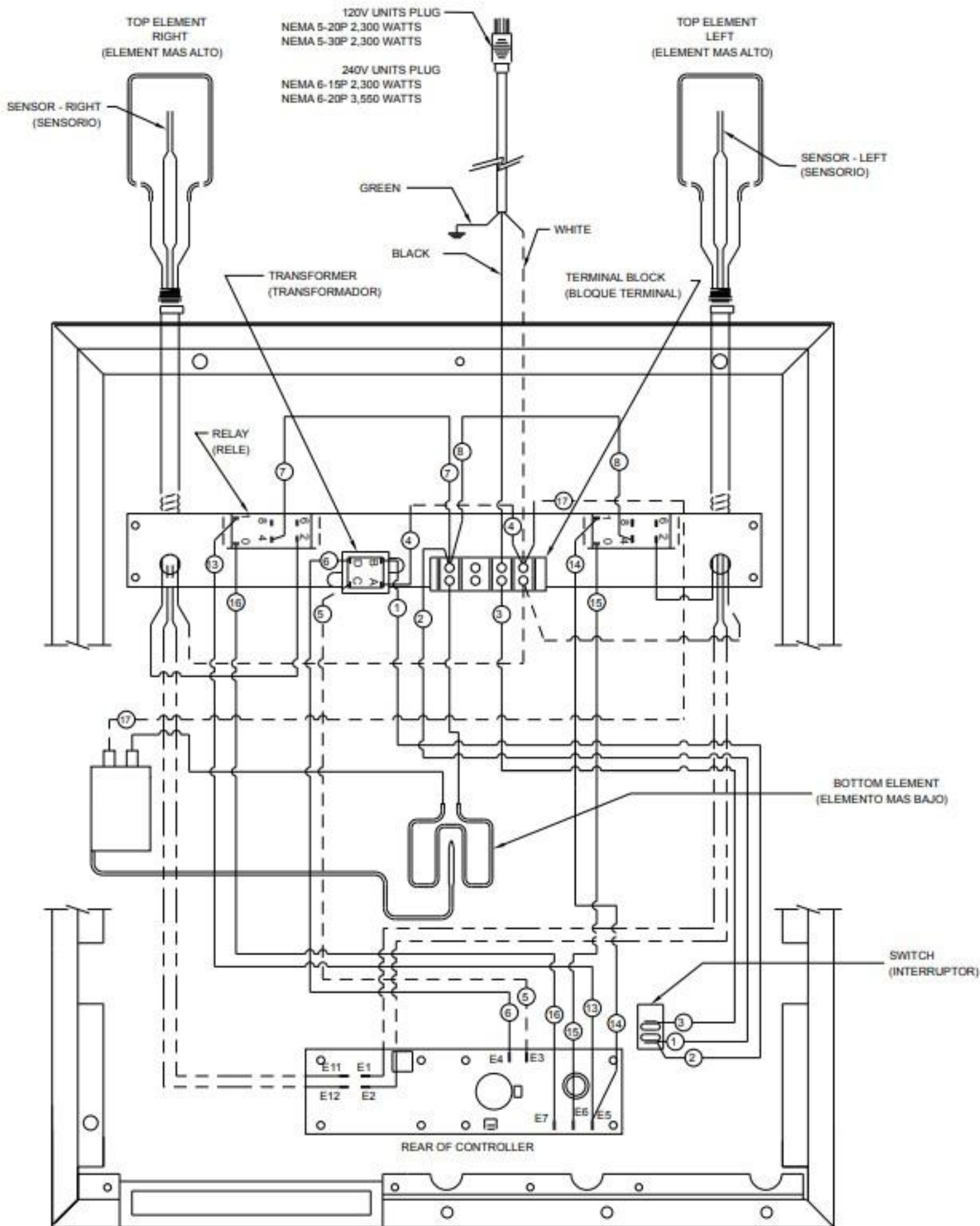
UNITS WITH IEC CONNECTOR:

POWER INLET CONNECTOR:

IEC 320 C-20 POWER INLET, ON ALL 208 - 240V UNITS.
 FOR USE WITH DETACHABLE CORDSETS SUPPLIED
 WITH A STRAIGHT, FEMALE, IEC 60320 C-19 CONNECTOR.



FOR REFERENCE
 WIRING DIAGRAM IS SHOWN AS UNIT IS ASSEMBLED
 WITH THE BOTTOM PLATE REMOVED. THE TOP
 DESCRIPTIONS ARE THEIR POSITIONS WHEN UPRIGHT.



120V UNIT PLUGS

NEMA 5-20P 2,300 WATTS

NEMA 5-30P 2,300 WATTS

208V UNIT PLUGS

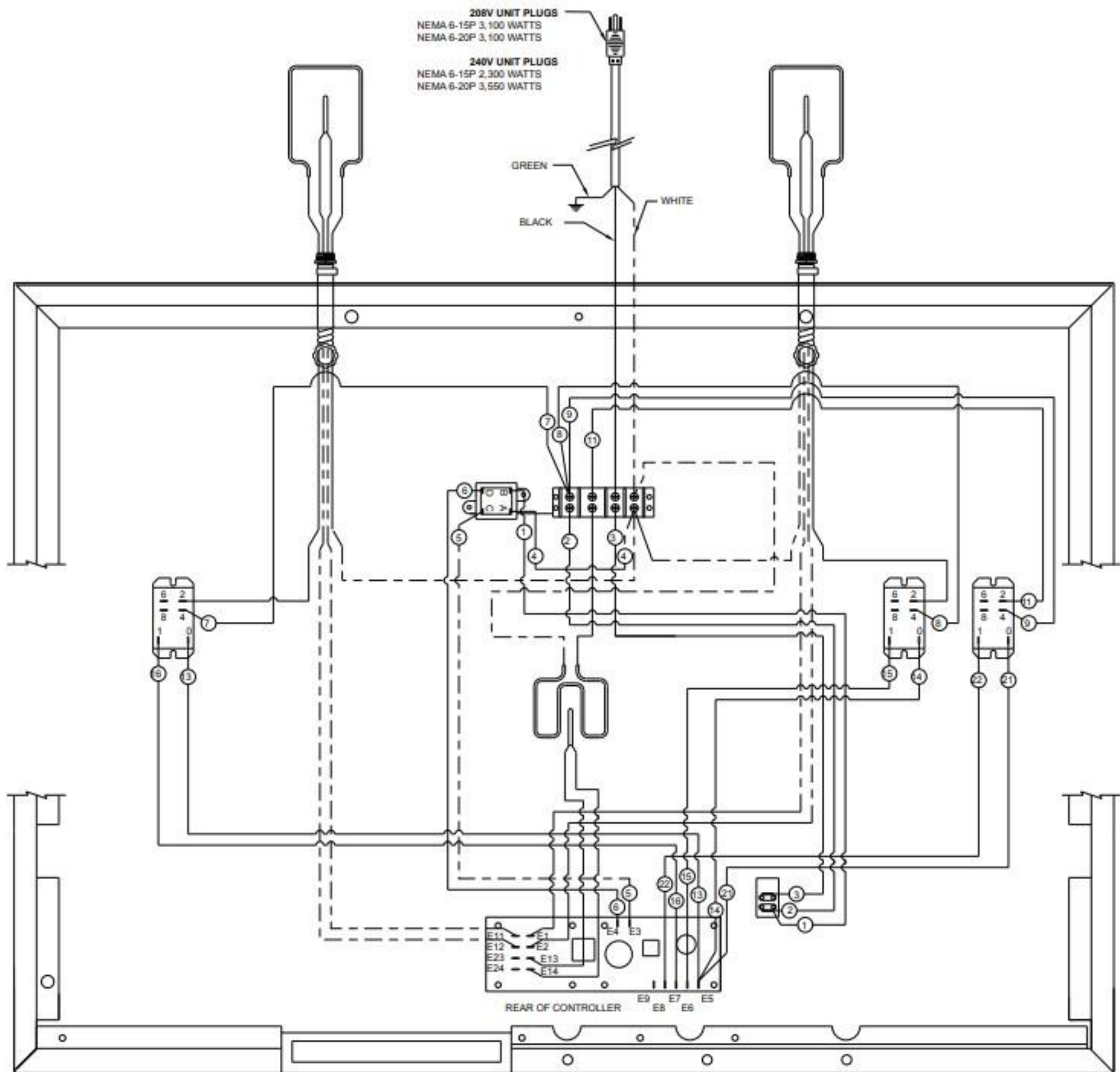
NEMA 6-15P 3,100 WATTS

NEMA 6-20P 3,100 WATTS

240V UNIT PLUGS

NEMA 6-15P 2,300 WATTS

NEMA 6-20P 3,550 WATTS



GREEN
BLACK
WHITE

REAR OF CONTROLLER
E11
E12
E23
E24
E1
E2
E13
E14
E9
E7
E5
E8
E6