



Star
Manufacturing
International Inc.

10 Sunnen Drive
St. Louis, MO 63143

Phone: (314) 678-6303
Fax: (314) 781-2714

Installation
and
Operating
Instructions

2M-Z16154 Rev. B 10/05/15

ULTRA-MAX GAS RADIANT CHARBROILER MODELS

8124RCBA, 8136RCBA,
8148RCBA, 8160RCBA, and 8172RCBA

ULTRA-MAX GAS LAVA ROCK CHARBROILER MODELS

8024CBA, 8036CBA,
8048CBA, 8060CBA, and 8072CBA

WARNING: Improper installation, adjustment, alteration, service or maintenance can cause property damage, injury or death. Read the installation, operating and maintenance instructions thoroughly before installing or servicing this equipment.

WARNING: This appliance shall be installed in accordance with current regulations and used only in well-ventilated space. Refer to instructions before installing and using this appliance.

FOR YOUR SAFETY: Do not store or use gasoline or other flammable vapors or liquids in the vicinity of this or any other appliance.

In addition, there should be posted, in a prominent location, detailed instructions to be followed in the event the operator smells gas. Obtain the instructions from the local gas supplier.



SAFETY SYMBOL



These symbols are intended to alert the user to the presence of important operating and maintenance instructions in the manual accompanying the appliance.

RETAIN THIS MANUAL FOR FUTURE REFERENCE NOTICE

Using any part other than genuine Star factory supplied parts relieves the manufacturer of all liability.

Star reserves the right to change specifications and product design without notice. Such revisions do not entitle the buyer to corresponding changes, improvements, additions or replacements for previously purchased equipment.

Due to periodic changes in designs, methods, procedures, policies and regulations, the specifications contained in this sheet are subject to change without notice. While Star International Holdings Inc., Company exercises good faith efforts to provide information that is accurate, we are not responsible for errors or omissions in information provided or conclusions reached as a result of using the specifications. By using the information provided, the user assumes all risks in connection with such use.

MAINTENANCE AND REPAIRS

Contact your local authorized service agent for service or required maintenance.

Please record the model number, serial number, voltage and purchase date in the area below and have it ready when you call to ensure a faster service.

Model No. _____
Serial No. _____
Voltage _____
Purchase Date _____

Authorized Service Agent Listing

Reference the listing provided with the unit

or

for an updated listing go to:

Website: www.star-mfg.com
E-mail customerservice@star-mfg.com

Service Help Desk

Business Hours: 8:00 am to 4:30 p.m. Central Standard Time

Telephone: (314) 678-6303

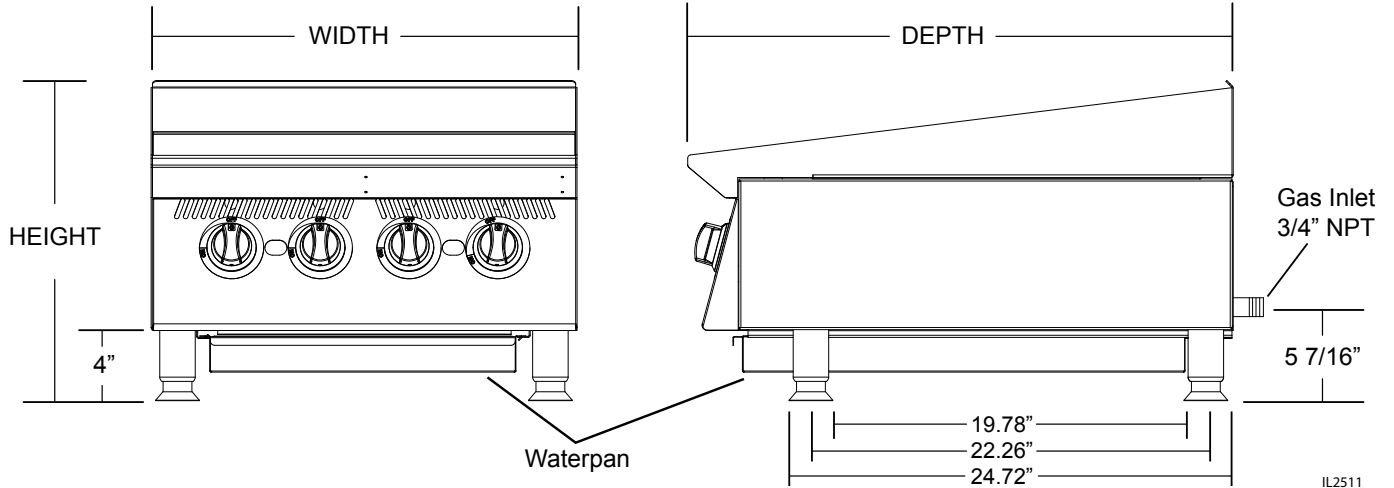
Fax: (314) 781-2714

E-mail customerservice@star-mfg.com

Website: www.star-mfg.com

Mailing Address: Star International Holdings Inc., Company
10 Sunnen Drive
St. Louis, MO 63143
U.S.A

Ultra-Max Gas Charbroiler



Specifications

Model	Manual Controls	BTUH	Grid Area	Approx Weight		Dimensions		
				Installed	Shipped	Width	Depth	Height
RADIANT								
8124RCBA	4	80,000	603 sq in (3,890 sq cm)	196 lbs (88.9 kg)	262 lbs (118.9 kg)	24" (61 cm)	30 5/8" (77.8 cm)	18" (45.7 cm)
8136RCBA	6	120,000	906 sq in (5,845 sq cm)	273 lbs (123.8 kg)	349 lbs (158.2 kg)	36" (91.4 cm)		
8148RCBA	8	160,000	1,209 sq in (7,800 sq cm)	358 lbs (162.3 kg)	442 lbs (200.4 kg)	48" (122 cm)		
8160RCBA	10	200,000	1,512 sq in (9,754 sq cm)	441 lbs (200 kg)	541 lbs (245.3 kg)	60" (152.4 cm)		
8172RCBA	12	240,000	1,815 sq in (11,710 sq cm)	596 lbs (269.9 kg)	731 lbs (330.9 kg)	72" (182.9 cm)		
LAVA ROCK								
8024RCBA	4	80,000	603 sq in (3,890 sq cm)	196 lbs (88.9 kg)	262 lbs (118.9 kg)	24" (61 cm)	30 5/8" (77.8 cm)	18" (45.7 cm)
8036RCBA	6	120,000	906 sq in (5,845 sq cm)	273 lbs (123.8 kg)	349 lbs (158.2 kg)	36" (91.4 cm)		
8048RCBA	8	160,000	1,209 sq in (7,800 sq cm)	358 lbs (162.3 kg)	442 lbs (200.4 kg)	48" (122 cm)		
8060RCBA	10	200,000	1,512 sq in (9,754 sq cm)	441 lbs (200 kg)	541 lbs (245.3 kg)	60" (152.4 cm)		
8072RCBA	12	240,000	1,815 sq in (11,710 sq cm)	596 lbs (269.9 kg)	731 lbs (330.9 kg)	72" (182.9 cm)		

2M-Z16154, Ultra-Max Gas Char-broiler

GENERAL INSTALLATION DATA



This equipment is designed and sold for commercial use only by personnel trained and experienced in its operation and is not sold for consumer use in and around the home nor for use directly by the general public in food service locations.

The Ultra-Max™ series gas charbroiler is equipped for the type of gas indicated on the nameplate mounted on the front panel. All units are shipped from the factory for use with natural gas. The unit can easily be converted for use with propane gas: see propane gas.

-IMPORTANT-

Be sure to remove all paper protection and packing material from unit prior to lighting.

INSTALL IN NON-COMBUSTIBLE LOCATIONS ONLY! Clearance from non-combustible construction must be 3" minimum from back and sides. For servicing, 6" is recommended from back of unit.

The installation of the Appliance must conform to the NATIONAL FUEL GAS CODE "ANSI Z223.1 - LATEST EDITION" AND ALL LOCAL GAS COMPANY RULES AND REGULATIONS.

IN CANADA INSTALLATION SHALL BE IN ACCORDANCE WITH THE CURRENT CAN/CGA-B149.1 NATURAL GAS INSTALLATION CODE OR CAN/CGA-B149.2 PROPANE INSTALLATION CODE AND LOCAL CODES WHERE APPLICABLE.

NOTICE

When this appliance is installed with casters, it must be installed with the casters supplied, a connector complying with either ANSI Z21.69 or CAN/CGA-6.16 and a quick-disconnect device complying with either ANSI Z21.41 or CAN1-6.9. It must also be installed with restraining means to guard against transmission of strain to the connector, as specified in the appliance manufacturer's instructions.

For your protection, we recommend a qualified installing agency install this appliance. They should be familiar with gas installations and your local gas requirements. In any case, your gas company should be called to approve the final installation.

This appliance, its pressure regulator and its individual shutoff valve must be disconnected from the gas supply piping system during any pressure testing of that system at test pressures in excess of 1/2 PSIG. This appliance and its pressure regulator must be isolated from the gas supply piping system by closing its individual manual shutoff valve during any pressure testing of the gas supply piping system at test pressures equal to or less than 1/2 PSIG.

EXHAUST CANOPY

Open hearth broilers inherently create a good deal of heat and smoke and should be installed under an efficient exhaust hood with flame proof filters. A vertical distance of not less than 48" shall be provided between the top of the appliance and filters or any other combustible material. Exhaust installation must conform to local codes.

AIR SUPPLY

Provisions for adequate air supply must be provided.



Air for combustion enters from the bottom of the unit. Do not obstruct this area.

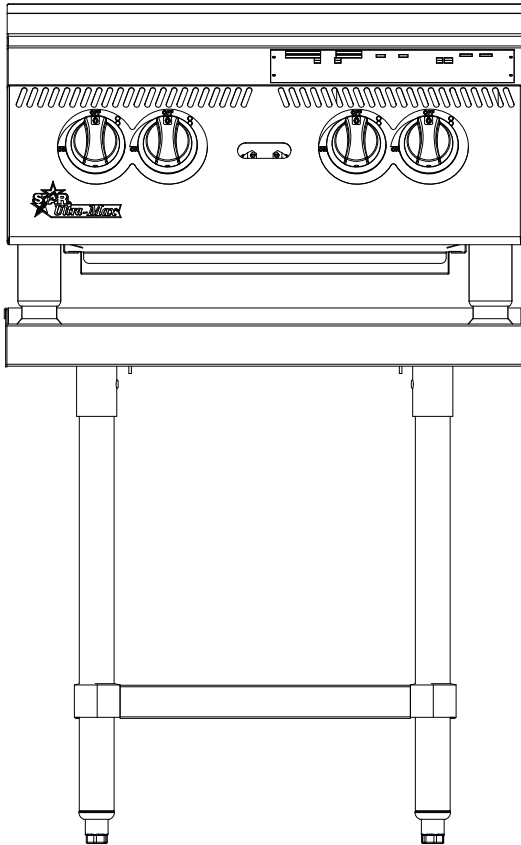
LEVELING UNIT

This charbroiler is supplied with 4 feet or floor stand legs which must be screwed into the body. Unit must be level. Level unit by adjusting the (4) feet which have an adjustment of 1-3/4" for accurate and perfect line-up with other units.

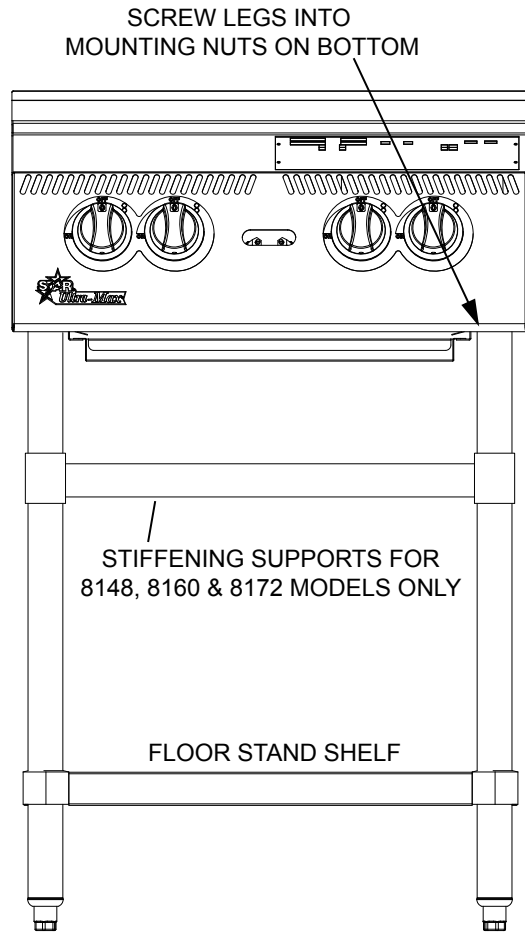


CAUTION

DO NOT INSTALL WITHOUT ATTACHING FEET OR SUPPLIED STAND LEGS AND SHELF - DO NOT REMOVE FEET.



**COUNTER TOP MODEL
ON OPTIONAL EQUIPMENT STAND**



FLOOR STAND MODEL

IL2505

Caster Kits: Casters can be used with floor stand models or optional equipment stand. For installation, carefully mark and cut off from the bottom of each leg using a straight cutting saw and de-burr the inside tube wall prior to installing the caster. Cut leg should measure 19" tube length, not overall length. Casters add about 6-1/4" of height to the unit. Be sure to use approved strain relief means for protecting gas line connection. If an appliance is equipped with casters and is gas connected with a quick connect coupling, all personnel must be aware that there is a restraint on the appliance and if disconnected for service or cleaning it must be reconnected as originally installed prior to use.

GENERAL INSTALLATION DATA (continued)

PLACING RADIANTS - RCBA SERIES

After the unit is unpacked and installed, place 1 radiant above each burner. Install each radiant on 2 slots of the rear wall and on 1 pin of the front wall of the liner weld assembly. Refer to the exploded view in this manual for orientation of the radiants.

PLACING LAVA ROCKS- CBA SERIES

Open the lava rock bags and place rock evenly on the lower internal grates - not the top cooking grates. Spread the lava rock evenly on the grates approximately 1 layer thick. Do not cover the grates with more than two layers of lava rock. Do not put more than 5 pounds of rock per foot, or for every two burners. **NOTE: To much rock will deflect the heat downward.**

GAS PIPING

Gas piping shall be of such size and so installed as to provide a supply of gas sufficient to meet the full gas input of the appliance. If the appliance is to be connected to existing piping, it shall be checked to determine if it has adequate capacity. Joint compound shall be used sparingly and only on the male threads of the pipe joints. Such compounds shall be resistant to the action of L.P. gases. **WARNING:** Any loose dirt or metal particles which are allowed to enter the gas lines on this appliance will damage the valve and affect its operation. When installing this appliance, all pipe and fittings must be free from all internal loose dirt.

GAS PRESSURE REGULATOR

A convertible pressure regulator is provided with each charbroiler. It should be connected to the inlet pipe at the rear of the unit. The gas supply is then connected to it. The supply pressure to the regulator is not to exceed 1/2 PSIG. It is shipped set for 5" water column manifold pressure for use with natural gas.

MANUAL SHUT OFF VALVE

A manual shut off valve should be installed upstream from the manifold and within six feet of the charbroiler.

CONNECTING GAS SUPPLY LINE

The gas inlet of the charbroiler is sealed at the factory to prevent entry of dirt. Do not remove this seal until the actual connection is made to the gas supply line.

PROPANE GAS - CONVERSION

This charbroiler is equipped with fixed orifice hoods and is shipped from the factory for use with natural gas. To convert to propane gas, install the burner orifice hoods, located in the water pan, as follows:

1. Remove grates, radiants and burners.
2. Remove the burner orifice hoods (NAT #47) and install the orifice hoods (LP #55) supplied.
3. Replace the burners, radiants, and grates.
4. Set manifold pressure to (10) inch water column. A 1/8" pipe plug on the burner manifold can be removed for attaching a pressure gauge. Remove the slotted, or hex-threaded plug from the pressure regulator. Invert the plug and re-install. The letters "LP" should now be visible on the plug. The regulator is now set for 10" (25.4 cm) water column. Attach the conversion label, supplied with the unit, close to the nameplate.

CHECKING FOR GAS LEAKS

Check entire piping system for leaks. Soap and water solution or other material acceptable for the purpose, shall be used in locating gas leakage.



Matches, candle flame or other sources of ignition shall not be used for locating gas leaks.

PILOT LIGHTING INSTRUCTIONS

The charbroiler is equipped with standing pilots, and should be lit immediately after the gas is turned on.

1. Turn off main valve to unit.
2. Turn off all knobs and pilot valves and wait 5 minutes to clear gas.
3. The pilot lights on this broiler have been pre-set at the factory. Turn the adjustable screw counterclockwise to open and clockwise to close.

4. Turn on main valve and light all pilots.
5. Adjust pilot light flames as small as possible, usually about 1/2" high, but high enough to light burner immediately when burner valve is turned on high.
6. Turn burner knobs to desired setting.
7. To turn burners off, turn knobs off.

BURNER IGNITION AND ADJUSTMENT

1. To ignite burners turn burner valve knob counter clockwise to "ON" position.
2. Slowly decrease openings of air shutters to give a soft blue flame having luminous tips, then slowly increase openings to a point where the yellow tips disappear and a hard blue flame is obtained.

GENERAL OPERATING INSTRUCTIONS

WATER PAN

The water pan is located at the bottom of the unit, and is easily removed from the front of the unit. 1/4" of water should be added to the water pan and added as necessary. The water pan helps prevent flare ups and catches grease.

BURNER OPERATION

Each burner is controlled by an individual high-low, on-off valve. A variety of broiling temperatures may be obtained by turning the burner valve knob to any position between on and off. It is possible through this arrangement to have a high heat or searing section, while having a low heat finishing or holding section. For the searing operation, turn the valve counter clockwise for the section to a position of "ON" or close to it. For holding or finishing, turn the valves closer to the "OFF" position on the dial. You select the heat pattern you like, and set the valves accordingly. Be sure burners are staying fully lit when set in low positions.

LIGHTING

When broiler is first lit, it will smoke for approximately 20-30 minutes until the preservation oils and impurities are burned off.

BROILING

Turn valves on and pre-heat unit on "ON" before attempting to broil. You will have to experiment with the grate settings and the valve settings for your particular food products. Check water pans frequently and add a sufficient amount of water when necessary. Hot water vapors rising from the water pans and through the combustion chamber helps reduce flare ups. Exercise care when using your broiler.

TILTING THE GRATE

Raise or lower the grate to the next step by lifting the grate at the back of the charbroiler where the grate rests. Use potholders or gloves to reposition.

CHARBROILERS ARE HOT! NEVER ATTEMPT TO CHANGE THE GRATE POSITION WHILE FOOD PRODUCTS ARE COOKING. FLARE UPS CAN OCCUR UNEXPECTEDLY. TURN OFF CHARBROILER, AND ALLOW THE CHARBROILER TO COOL.



CAUTION

SHUTTING DOWN INSTRUCTIONS

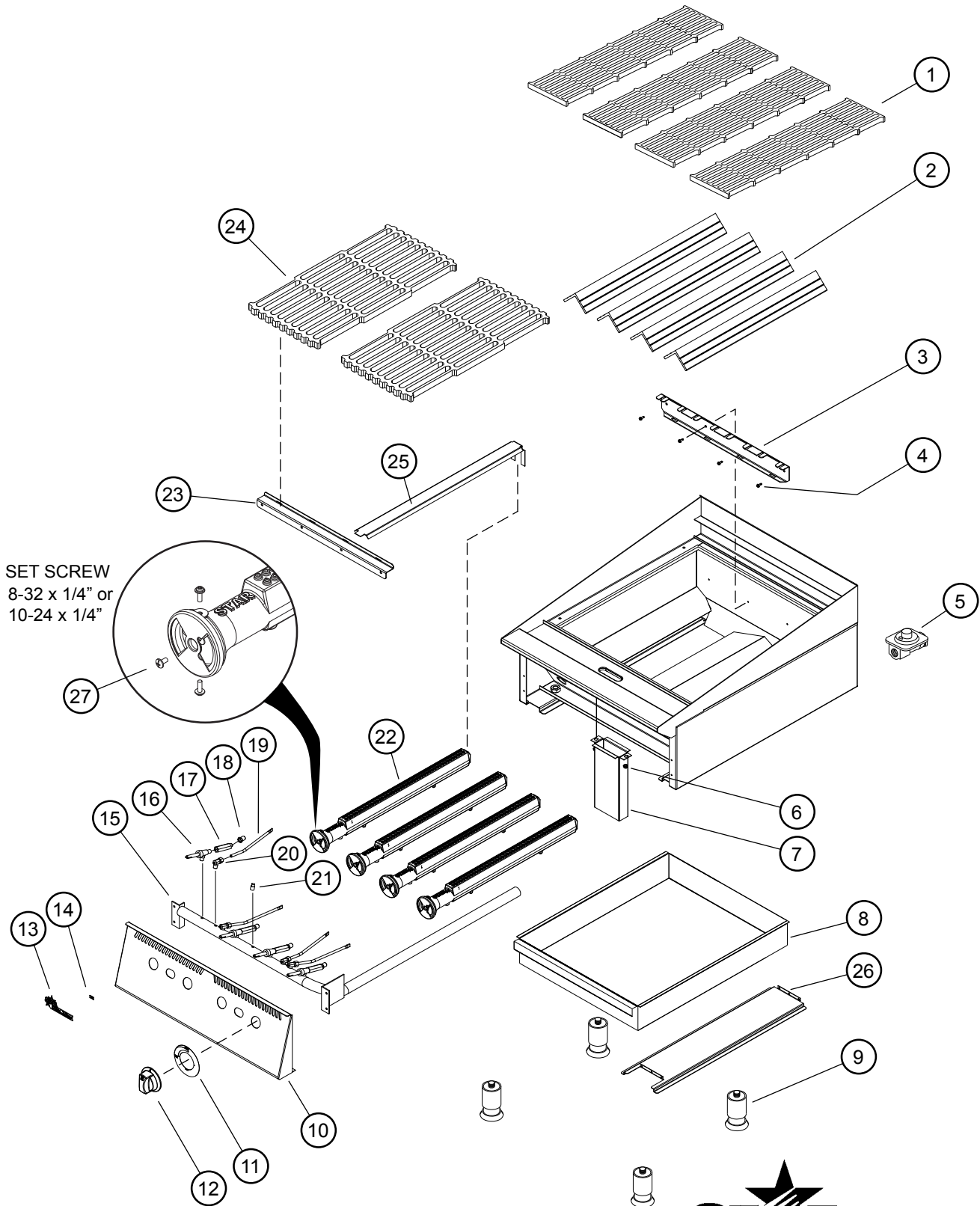
Turn the burner valve knobs to the off position to turn burners off and close manual valve gas shutoff.

CLEANING

Clean regularly. Remove grate section to sink for washing. Brush out carboned particles. Remove and wash water pan. Wipe exterior surfaces with detergent and a cloth. A non-abrasive cleaner can be used on caked areas.

LAVA ROCK

Monthly or as needed remove the rock and place in a 5 gallon bucket of water and let sit overnight. Clean lava grates at this time. Grease and debris will separate from the rock, drain and place the 2" pieces back into position, refresh with new rock as needed.



SET SCREW
8-32 x 1/4" or
10-24 x 1/4"

2M-Z16154, Ultra-Max Gas Char-broiler

SOME ITEMS ARE INCLUDED FOR
ILLUSTRATIVE PURPOSES ONLY AND IN
CERTAIN INSTANCES MAY NOT BE AVAILABLE

8124RCBA, 8024CBA



MODEL: 8124RCBA, 8136RCBA, 8148RCBA
8160RCBA, 8172RCBA
8024CBA, 8036CBA, 8048CBA
8060CBA, 8072CBA

STAR MANUFACTURING INTERNATIONAL, INC.

SK2607

Rev. B

10/05/15

PARTS LIST

8124/8136/8148/8160/8172 Ultra-Max Radiant Gas Charbroiler
8024/8036/8048/8060/8072 Ultra-Max Lava Rock Gas Charbroiler

October 05, 2015, Rev B

2M-Z16154, Ultra-Max Gas Char-broiler

Model: Ultra-Max Gas Charbroiler Radiant & Lava Rock				
Fig No	Part Number	Description	Qty	Application
1	2F-Z4692	GRATE CHARBROILER	4	8124RCBA, 8024CBA
			6	8136RCBA, 8036CBA
			8	8148RCBA, 8048CBA
			10	8160RCBA, 8060CBA
			12	8172RCBA, 8072CBA
			2	2F-Z4693
6	8136RCBA			
8	8148RCBA			
10	8160RCBA			
12	8172RCBA			
3	H5-Z15940	BURNER SUPPORT BRACKET		
	H5-Z15944		8136RCBA, 8036CBA	
	H5-Z15288		8148RCBA, 8048CBA	
	H5-Z15927		8160RCBA, 8060CBA	
	H5-Z15936		8172RCBA, 8072CBA	
4	2C-8833	SCREW 8-18X1/2 HEX STL	AR	ALL
5	2J-Z4686	REGULATOR-3/4 X 3/4	1	ALL
6	2C-Z2893	NUT 10-24 HEX STL ZP	2	ALL
7	G5-824012	CHUTE ASSEMBLY	1	ALL
8	H5-Z4743	PAN-24	1	8124RCBA, 8024CBA
	H5-Z4744	PAN-36	1	8136RCBA, 8036CBA
	H5-Z4743	PAN-24	2	8148RCBA, 8048CBA
	H5-Z4746	PAN-60	2	8160RCBA, 8060CBA
	H5-Z4744	PAN-36	2	8172RCBA, 8072CBA
9	2A-Z4614	FOOT, FLANGE NON-SKID	4	ALL
	2R-Z19119	FOOT-TAPERED STEEL		
10	H5-Z15939	FRONT PANEL 24"	1	8124RCBA, 8024CBA
	H5-Z15943	FRONT PANEL 36"		8136RCBA, 8036CBA
	H5-Z15284	FRONT PANEL 48"		8148RCBA, 8048CBA
	H5-Z15926	FRONT PANEL 60"		8160RCBA, 8060CBA
	H5-Z15935	FRONT PANEL 72"		8172RCBA, 8072CBA
11	2M-Z15245	KNOB LABEL ULTRAMAX	4	8124RCBA, 8024CBA
			6	8136RCBA, 8036CBA
			8	8148RCBA, 8048CBA
			10	8160RCBA, 8060CBA
			12	8172RCBA, 8072CBA
			12	I4-Z15484
6	8136RCBA, 8036CBA			
8	8148RCBA, 8048CBA			
10	8160RCBA, 8060CBA			
12	8172RCBA, 8072CBA			
13	2M-Z15805	ULTRA MAX LOGO		
14	2C-8477	CLIP .125 PO STL PHOS	4	ALL
15	2K-Z15961	MANIFOLD	1	8124RCBA, 8024CBA
	2K-Z15946			8136RCBA, 8036CBA
	2K-Z15945			8148RCBA, 8048CBA
	2K-Z15920			8160RCBA, 8060CBA
	2K-Z15921			8172RCBA, 8072CBA
16	2V-Y8832	VALVE-MANUAL GAS	4	8124RCBA, 8024CBA
			6	8136RCBA, 8036CBA
			8	8148RCBA, 8048CBA
			10	8160RCBA, 8060CBA
			12	8172RCBA, 8072CBA

Model: Ultra-Max Gas Charbroiler Radiant & Lava Rock					
17	2A-Z15909	ELBOW 15 DEG.	4	8124RCBA, 8024CBA	
			6	8136RCBA, 8036CBA	
			8	8148RCBA, 8048CBA	
			10	8160RCBA, 8060CBA	
			12	8172RCBA, 8072CBA	
			18	2J-Y7216	ORIFICE, SIZE #47 (NAT)
6	8136RCBA, 8036CBA				
8	8148RCBA, 8048CBA				
10	8160RCBA, 8060CBA				
12	8172RCBA, 8072CBA				
2J-Y7250	ORIFICE, SIZE #55 (LP)	4			
		6		8136RCBA, 8036CBA	
		8		8148RCBA, 8048CBA	
		10		8160RCBA, 8060CBA	
		12		8172RCBA, 8072CBA	
		19		2V-Z15965	PILOT TUBE
6	8136RCBA, 8036CBA				
8	8148RCBA, 8048CBA				
10	8160RCBA, 8060CBA				
12	8172RCBA, 8072CBA				
20	2V-6671		VALVE-LINCOLN BRASS#3817		
		6		8136RCBA, 8036CBA	
		8		8148RCBA, 8048CBA	
		10		8160RCBA, 8060CBA	
		12		8172RCBA, 8072CBA	
		21		2P-1453	PLUG-PIPE 1/8NPT SQ HD
22	2F-Z20939	BURNER, CHARBROILER	4	8124RCBA, 8024CBA	
			6	8136RCBA, 8036CBA	
			8	8148RCBA, 8048CBA	
			10	8160RCBA, 8060CBA	
			12	8172RCBA, 8072CBA	
			23	H5-Z16351	GRATE SUPPORT - LAVA
H5-Z16352	8036CBA				
H5-Z16353	8048CBA				
H5-Z16354	8060CBA				
H5-Z16355	8072CBA				
24	2F-Z7802	LAVA ROCK GRATE 10 1/2"	2	8024CBA	
	2F-Z7803	LAVA ROCK GRATE 11 3/8"	1	8036CBA, 8048CBA	
			2	8036CBA	
			3	8048CBA	
			5	8060CBA	
			6	8072CBA	
25	H5-Z15283	BURNER COVER	4	8024CBA	
			6	8036CBA	
			8	8048CBA	
			10	8060CBA	
			12	8072CBA	
			26	H5-Z4856	PAN SUPPORT BRACKET
27	2C-1492	SCREW 8-32X1/4 RHP STL	3	COULD BE EITHER OF THESE TWO P/N	
	2C-1512	SCREW 10-24X3/8 RHP STL	3		
NI	2F-Y7193	LAVA ROCK 2" 5 LBS	AR	5lbs per foot	

THOROUGHLY INSPECT YOUR UNIT ON ARRIVAL

This unit has been tested for proper operation before leaving our plant to insure delivery of your unit in perfect condition. However, there are instances in which the unit may be damaged in transit. In the event you discover any type of damage to your product upon receipt, you must immediately contact the transportation company who delivered the item to you and initiate your claim with same. If this procedure is not followed, it may affect the warranty status of the unit.

LIMITED EQUIPMENT WARRANTY

All workmanship and material in Star products have a one (1) year limited warranty on parts & labor in the United States and Canada. Such warranty is limited to the original purchaser only and shall be effective from the date the equipment is placed in service. Star's obligation under this warranty is limited to the repair of defects without charge, by the factory authorized service agency or one of its sub-agencies. Models that are considered portable (*see below*) should be taken to the closest Star service agency, transportation prepaid.

- > Star will not assume any responsibility for loss of revenue.
- > On all shipments outside the United States and Canada, see International Warranty.
- * The warranty period for the Ultra-Max, Hot Plates, Griddles, Charbroilers is (3) years parts & labor.
- * The warranty period for the Star-Max, Charbroilers, Griddles, Hot Plates, Fryers & Finishing Oven is (2) years parts & labor.
- * The warranty period for the JetStar six (6) ounce & Super JetStar eight (8) ounce series popcorn machines is two (2) years.
- * The warranty period for the Chrome-Max Griddles is five (5) years on the griddle surface. See detailed warranty provided with unit.
- * The warranty period for Dura-Tec coatings is one year under normal use and reasonable care. This warranty does not apply if damage occurs to Dura-Tec coatings from improper cleaning, maintenance, use of metallic utensils, or abrasive cleaners, abrasive pads, product identifiers and point-of-sale attachments, or any other non-food object that comes in continuous contact with the roller coating. This warranty does not apply to the "non-stick" properties of such materials.
- > This warranty does not apply to "Special Products" but to regular catalog items only. Star's warranty on "Special Products" is six (6) months on parts and ninety (90) days on labor.
- > This warranty does not apply to any item that is disassembled or tampered with for any purpose other than repair by a Star Authorized Service Center or the Service Center's sub-agency.
- > This warranty does not apply if damage occurs from improper installation, misuse, wrong voltage, wrong gas or operated contrary to the Installation and Operating instructions.
- > This warranty is not valid on Conveyor Ovens *unless* a "start-up/check-out" has been performed by a Factory Authorized Technician.

PARTS WARRANTY

Parts that are sold to repair out of warranty equipment are warranted for ninety (90) days. The part only is warranted, the labor to replace the part is **NOT** warranted.

SERVICES NOT COVERED BY WARRANTY

- | | |
|-------------------------------------------------------------------------------------------------------------------------------------------------------------------------------------------------------------------------------------------------------------------------------------------------------------------------------------------------------------------------------------------------------------------------------------------------------------------------------------------------------------------------------------------------------------------------------------------------------------------------------------------------------------------------|--------------------------------------------------------------------------------------------------------------------------------------------------------------------------------------------------------------------------------------------------------------------------------------------------------------------------------------------------------------------------------------------------------------------------------------------------------------------------------------------------------------|
| <ol style="list-style-type: none"> 1. Travel time and mileage rendered beyond the 50 mile radius limit 2. Mileage and travel time on portable equipment (<i>see below</i>) 3. Labor to replace such items that can be replaced easily during a daily cleaning routine, ie; removable kettles on fryers, knobs, grease drawers on griddles, etc. 4. Installation of equipment 5. Damages due to improper installation 6. Damages from abuse or misuse 7. Operated contrary to the Operating and Installation Instructions 8. Cleaning of equipment 9. Seasoning of griddle plates | <ol style="list-style-type: none"> 10. Voltage conversions 11. Gas conversions 12. Pilot light adjustment 13. Miscellaneous adjustments 14. Thermostat calibration and by-pass adjustment 15. Resetting of circuit breakers or safety controls or reset buttons 16. Replacement of bulbs 17. Replacement of fuses 18. Repair of damage created during transit, delivery, & installation OR created by acts of God |
|-------------------------------------------------------------------------------------------------------------------------------------------------------------------------------------------------------------------------------------------------------------------------------------------------------------------------------------------------------------------------------------------------------------------------------------------------------------------------------------------------------------------------------------------------------------------------------------------------------------------------------------------------------------------------|--------------------------------------------------------------------------------------------------------------------------------------------------------------------------------------------------------------------------------------------------------------------------------------------------------------------------------------------------------------------------------------------------------------------------------------------------------------------------------------------------------------|

PORTABLE EQUIPMENT

Star will not honor service bills that include travel time and mileage charges for servicing any products considered "Portable" including items listed below. These products should be taken to the Service Agency for repair:

- * The Model 510FD, 510FF Fryer.
- * The Model 526TOA Toaster Oven.
- * The Model J4R, 4 oz. Popcorn Machine.
- * The Model 518CMA & 526CMA Cheese Melter.
- * The Model 12MC & 15MC & 18MCP Hot Food Merchandisers.
- * The Model 12NCPW & 15NCPW Nacho Chip/Popcorn Warmer.
- * All Hot Dog Equipment **except Roller Grills & Drawer Bun Warmers.**
- * All Nacho Cheese Warmers **except Model 11WLA Series Nacho Cheese Warmer.**
- * All Condiment Dispensers **except the Model HPD & SPD Series Dispenser.**
- * All Specialty Food Warmers **except Model 130R, 11RW Series, and 11WSA Series.**
- * All QCS/RCS Series Toasters **except Model QCS3 & RCS3 Series.**
- * All Fast Steamer Models **except Direct Connect Series.**

ALL:

- * Pop-Up Toasters
- * Butter Dispensers
- * Pretzel Merchandisers (Model 16PD-A Only)
- * Pastry Display Cabinets
- * Nacho Chip Merchandisers
- * Accessories of any kind
- * Sneeze Guards
- * Pizza Ovens (Model PO12 Only)
- * Heat Lamps
- * Pumps-Manual

The foregoing warranty is in lieu of any and all other warranties expressed or implied and constitutes the entire warranty.

FOR ASSISTANCE

Should you need any assistance regarding the Operation or Maintenance of any Star equipment; write, phone, fax or email our Service Department. In all correspondence mention the Model number and the Serial number of your unit, and the voltage or type of gas you are using.

2M-Z16154, Ultra-Max Gas Char-broiler

INSTRUCTIONS POUR ÉTEINDRE LE BARBECUE

Pour éteindre les brûleurs, tourner les boutons des brûleurs sur la position de fermeture.

NETTOYAGE

Nettoyer le barbecue régulièrement. Enlever la section du grille et la laver dans l'évier. Enlever à la brosse les particules carbonisées. Enlever et laver le bac à eau. Nettoyer les surfaces extérieures à l'aide d'un chiffon et d'un détergent. Sur les surfaces encroûtées, on peut utiliser un produit nettoyant non abrasif.

INSTRUCTIONS CONCERNANT LES VEILLEUSES D'ALLUMAGE

Le barbecue est équipé de veilleuses stationnaires et il faut l'allumer dès que le bouton de gaz est ouvert.

1. Éteignez la principale valve à unité.
2. Éteignez tous les boutons et valves du pilote et attendez 5 minutes éclaircir du gaz.
3. Les lampes témoin sur ce grilleur ont été pré-établies à l'usine. Tournez la vis réglable dans le sens contraire des aiguilles d'une montre pour s'ouvrir et dans le sens des aiguilles d'une montre à la fin.
4. Ouvrir le bouton principal et allumer les veilleuses.
5. Ajustez des flammes de la lumière pilotes aussi petit que possible, mais haut assez allumer le brûleur immédiatement quand la valve du brûleur est allumée haut.
6. Tourner les boutons des brûleurs sur le réglage désiré.
7. Pour éteindre les brûleurs, fermer les boutons.

IGNITION DU BRÛLEUR ET AJUSTEMENT

1. Pour mettre à feu les brûleurs tournent la molette de valve de brûleur dans le sens contraire des aiguilles d'une montre à la position de "ON."
2. Lentement ouvertures de la baisse de volets de l'air à donnez une flamme bleue douce qui a des pointes lumineuses, alors lentement ouvertures de l'augmentation à un point où les pointes jaunes disparaissent et une flamme bleue dure est obtenu.

INSTRUCTIONS DE FONCTIONNEMENT

BAC À EAU

Le bac à eau est situé au bas de l'appareil et il est facile à enlever par la partie avant de l'appareil. L'eau devrait être ajoutée à la casserole de l'eau pour couvrir juste le bottam et être substituée selon les besoins. Le bac à eau aide à prévenir les flambées et attrape la graisse.

L'OPÉRATION DU BRÛLEUR

Chaque brûleur est contrôlé par un individu haut bas, sur fermé valve. La variété des températures de cuisson sur le gril peut être obtenue en tournant la molette de valve de brûleur à n'importe quelle position entre "ON" et "OFF." C'est possible à travers cet arrangement pour avoir une haute chaleur ou brûlant section, en ayant une basse chaleur finir ou tenir la section. Pour l'exécution desséchante, tournez la valve dans le sens contraire des aiguilles d'une montre pour la section à une position de "ON" ou près d'elle. Pour se tenir ou terminer, tournez les valves plus près de la position de "OFF" sur le cadran. Vous sélectionnez le modèle de la chaleur que vous aimez, et a mis les valves en conséquence. Soyez sûr que les brûleurs restent ont entièrement allumé quand positionnement en basses positions.

ALLUMAGE

Lors du premier allumage du barbecue, il se formera un nuage de fumée jusqu'à ce que les huiles de protection et les impuretés brûlent.

CUISSON SUR LE GRIL

Ouvrir les vannes et préchauffer l'appareil sur «HI» avant de commencer la cuisson sur le gril. Vous devriez expérimenter avec les réglages du gril et les réglages des boutons selon vos spécialités de viande. Vérifier souvent les bacs à eau et ajouter suffisamment d'eau lorsque nécessaire. Les vapeurs d'eau chaude qui s'évaporent des bacs à eau et qui passent à travers la chambre de combustion aident à réduire les flambées. Faire attention lors de l'utilisation du barbecue.

INCLINAISON DU GRILLE

Élever ou abaisser le grille à la position suivante en soulevant le grille à l'arrière du barbecue où repose le grille. Utiliser des maniques ou des gants pour le repositionner.

LES BARBECUES SONT BRÛLANTS! NE JAMAIS ESSAYER DE CHANGER LA POSITION DU GRIL PENDANT LA CUISSON DES PRODUITS DE VIANDE. DES FLAMBÉES PEUVENT SE PRODUIRE À L'IMPROVISTE. ÉTEIGNER LE BARBECUE ET LE LAISSER SE REFROIDIR.



MISE EN GARDE

PLAÇANT RADIANTS - RCBA SÉRIE

Après que l'unité soit déballée et est installée, placez-en 1 radiant au-dessus de chaque brûleur. Installez chaque radiant sur 2 fentes du mur arrière et sur 1 épingle du mur de devant de l'assemblée de la soudure du paquebot. Faites référence à la vue explosée dans ce manuel pour orientation du radiants.

PLACEMENT DE LA ROCHE DE LAVE - CBA SÉRIE

Ouvert les sac de rocher de lave et le rocher d'endroit également sur les grilles internes plus basses - pas la cuisine de sommet grince. Etaler le rocher de lave également sur les grilles approximativement 1 couche épaisse. Ne pas couvrir les grilles avec supérieur à deux couches de rocher de lave. N' a pas mettre supérieur à 5 Livres de rock par pied.

TUYAUTERIE À GAZ

La taille de la tuyauterie à gaz et la façon dont elle est installée doivent être telles qu'elle fournisse une alimentation suffisante de gaz pour répondre aux exigences d'admission de pleine puissance dans l'appareil. S'il faut raccorder l'appareil à la tuyauterie existante, il faut vérifier cette dernière pour déterminer si elle a la capacité nécessaire. Il ne faut utiliser le composé combiné que modérément et seulement sur les filetages mâles des raccords à tuyaux. Ces composés doivent résister à l'action des gaz propane. AVERTISSEMENT : Toute impureté libre ou particule métallique qui entre dans les canalisations de gaz de cet appareil endommagera la vanne et en affectera le fonctionnement. Lors de l'installation de cet appareil, tous les tuyaux et raccords doivent être exempts de toute impureté interne libre.

RÉGULATEUR DE PRESSION DU GAZ

Chaque barbecue est fourni avec un régulateur de pression convertible. Il doit être raccordé au tuyau d'admission à l'arrière de l'appareil. L'alimentation de gaz y est raccordée. La pression d'approvisionnement au régulateur ne doit pas excéder 1/2 PSIG. Pour l'utilisation au gaz naturel, il est expédié réglé pour une pression d'admission de 5 po. de colonne d'eau.

VANNE D'ARRÊT MANUELLE

Il faut installer une vanne d'arrêt manuelle en amont du collecteur et à six pieds près du barbecue.

RACCORD DE LA CANALISATION DE GAZ

L'admission de gaz du barbecue est scellée en usine afin d'empêcher l'entrée des impuretés. N'enlever cette protection que juste avant d'effectuer le raccord à la canalisation de gaz.

GAZ PROPANE - CONVERSION

Ce barbecue est équipé d'orifices fixes et il est expédié de l'usine prêt pour l'utilisation au gaz naturel. Pour convertir en gaz de propane, installez les capots d'orifice de brûleur, situés dans la casserole de l'eau, comme suit:

1. Retirez les grilles, les éléments chauffants et les brûleurs.
2. Enlever les orifices de brûleurs et installer les orifices fournis.
3. Substituez les brûleurs, les éléments chauffants, et les grilles.
4. Régler la pression d'admission sur (10) pouces de colonne d'eau. On peut enlever un bouchon de tuyau de 1/8 po. du collecteur du brûleur pour y attacher un manomètre. Enlever le bouchon entaillé ou fileté hexagonal du régulateur de pression. Inverser le bouchon et le réinstaller. Les lettres "LP" doivent être maintenant visibles sur le bouchon. Le régulateur est maintenant réglé pour 25,4 cm (10 po.) de colonne d'eau. Apposez l'étiquette de conversion a coté de la plaque d'identification.

LA VÉRIFICATION LE GAZ FUIT

Vérifier l'étanchéité de toute la tuyauterie. Pour vérifier l'étanchéité, il faut utiliser une solution de savon et d'eau ou une autre matière acceptable pour ce but.



**MISE EN
GARDE**

Ne pas utiliser d'allumettes, la flamme d'une chandelle ou d'autres sources d'allumage.

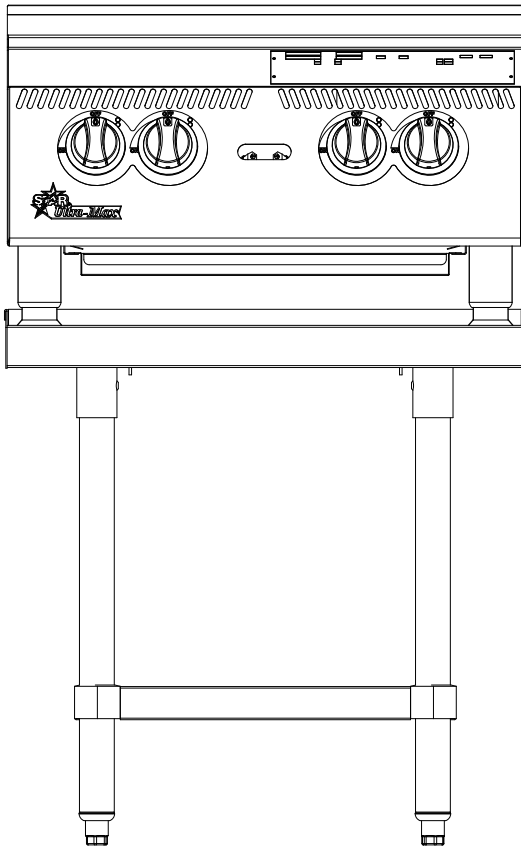
ÉQUILIBRAGE DE L'APPAREIL

Ce charbroiler est assuré avec 4 pieds ou jambes de stand de plancher qui doivent être vissés dans le corps. L'unité doit être niveau. Équilibrer l'appareil en ajustant les (4) pieds qui ont un réglage de 1-3/4 po., en vue d'un alignement exact et parfait avec d'autres appareils.

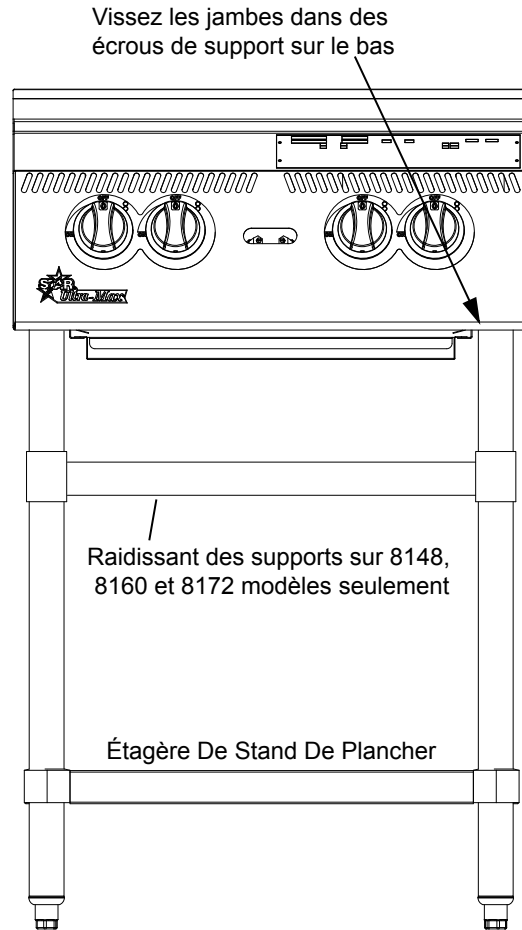


MISE EN GARDE

N'INSTALLEZ PAS SANS ATTACHER ES PIEDS OU DES JAMBES ET L'ETAGERE FOURNIES DE STAND.



**Contre-Modèle Supérieur
Sur le Stand Facultatif de Matériel**



Modèle de Stand de Plancher

IL2505-FR

2M-Z16154, Ultra-Max Gas Char-broiler

Lots de roulettes: Des roulettes peuvent être utilisées avec les modèles de stand de plancher ou le stand de matériel facultatif. Pour d'installation la marque soigneusement et découpé le de bas de chaque jambe en utilisant une scie et un de-burr droits de découpage le mur intérieur de tube avant d'installer la roulette. La jambe de coupe devrait mesurer 19" longueur de tube, longueur hors-tout. Les roulettes ajoutent environ 6-1/4" de taille à l'unité. Soyez sûr d'utiliser des moyens approuvés de passe-fils pour protéger la connexion de ligne de gaz. Si un appareil est équipé des roulettes et est gaz lié à un rapide relie le couplage, tout le personnel doit se rendre compte qu'il y ait une contrainte sur l'appareil et si débranché pour le service ou le nettoyage qu'il doit être rebranché comme initialement installé avant l'utilisation.

DONNÉES GÉNÉRALES D'INSTALLATION



**MISE EN
GARDE**

Cet équipement n'est conçu et vendu que pour l'utilisation commerciale par le personnel formé et sachant l'utiliser et il n'est pas vendu pour l'utilisation à la maison, ni pour l'usage du public dans les endroits de pique-nique.

Le barbecue de la série Ultra-Max est équipé pour le type de gaz indiqué sur la plaque du constructeur montée sur le panneau avant. Tous les appareils sont expédiés de l'usine pour l'utilisation au gaz naturel. Il est facile de convertir l'appareil en vue de l'utilisation au gaz propane : voir le gaz propane.

-IMPORTANT-

Soyez sûr d'enlever tout le matériel de papier de protection et d'emballage à partir de l'unité avant l'éclairage.

NE L'INSTALLER QUE DANS UN ENDROIT NON COMBUSTIBLE ! Le dégagement avec la construction de non-combustible doit être 3" minimum dos et côtés. Pour entretenir, 6" est recommandés du dos de l'unité.

L'installation de l'appareil doit se conformer au CODE NATIONAL DE GAZ COMBUSTIBLE "ANSI Z223.1 - TOUTE DERNIÈRE ÉDITION" DES ÉTATS-UNIS ET À TOUTES LES RÈGLES ET RÉGLEMENTATIONS DE LA COMPAGNIE DE GAZ LOCALE.

AU CANADA, L'INSTALLATION DOIT ÊTRE CONFORME AU CODE COURANT D'INSTALLATION AU GAZ NATUREL CAN/CGA-B149.1 OU AU CODE D'INSTALLATION AU PROPANE CAN/CGA-B149.2 ET AUX CODES LOCAUX, LE CAS ÉCHÉANT.

NOTIFICATION: Quand cet appareil est installé avec des roulettes, il doit être installé avec les roulettes fournies, un connecteur étant conforme à la norme ANSI Z21.69 ou au CAN/CGA-6.16 et à un dispositif rapide étant conforme à la norme ANSI Z21.41 ou au CAN1-6.9. Il doit également être installé avec des moyens retenants de garder contre la transmission de la contrainte au connecteur, comme indiqué dans les instructions du constructeur d'appareils.



**MISE EN
GARDE**

Pour votre propre protection, on vous recommande de faire installer cet appareil par une agence d'installation qualifiée. Ils doivent connaître les installations de gaz et vos exigences de gaz locales. En tout cas, il faut appeler votre société du gaz pour l'approbation de l'installation finale.

Cet appareil, son régulateur de pression et ses vannes d'arrêt individuelles doivent être débranchés de la tuyauterie d'alimentation du gaz lors des essais de pression de la tuyauterie en question à des pressions en dessus de ½ PSIG. Cet appareil et son régulateur de pression doivent être isolés de la tuyauterie d'alimentation du gaz en fermant sa vanne d'arrêt manuelle individuelle lors des essais de pression de la tuyauterie d'alimentation de gaz à des pressions égales à ou de moins que ½ PSIG.

ÉPUISEZ LE BALDAQUIN

Les grils du foyer ouverts créent beaucoup de chaleur et fumée fondamentalement et devraient être installés sous un capuchon du gaz d'échappement effectif avec flamme filtres insensibles. Une distance verticale de pas moins que 48 " seront fournis entre le sommet de l'appareil et filtres ou toute autre matière combustible. L'installation du gaz d'échappement doit conformer aux codes locaux.

LA PROVISION DE L'AIR

Les vivres pour provision de l'air adéquate doivent être fournis.



**MISE EN
GARDE**

L'air nécessaire à la combustion entre par le bas de l'appareil. Ne pas boucher cette section.

SYMBOLE DE SÉCURITÉ



Ces symboles sont utilisés pour souligner à l'utilisateur les instructions d'utilisation ou d'entretien importantes contenues dans le manuel qui accompagne l'appareil.

CONSERVEZ CE MANUEL POUR RÉFÉRENCE FUTURE AVIS

L'utilisation de toute pièce autre que les pièces d'origine STAR dégage le fabricant de toute responsabilité.

Star se réserve le droit de changer les spécifications et la conception du produit sans préavis. Ces changements ne donnent pas le droit à l'acheteur d'obtenir les changements, améliorations, ajouts ou remplacements correspondants pour l'équipement acheté préalablement.

Dû aux modifications périodiques de dessins, méthodes, procédures, règles et régulations, les spécifications contenues dans ce manuel sont susceptibles de changer sans préavis. Quoique STAR Manufacturing exerce la bonne foi de fournir le renseignement correct, STAR n'est pas responsable pour les erreurs ou les omissions dans le renseignement pourvu ou les conclusions tirées à la suite de l'utilisation des spécifications. En utilisant le renseignement pourvu, l'utilisateur assume tous les risques en relation avec telle utilisation.

ENTRETIEN ET RÉPARATIONS

Contactez votre détaillant local pour les réparations ou l'entretien requis. Assurez-vous d'avoir le numéro modèle, le numéro de série, le voltage et la date d'achat pour un service plus rapide. Entrez l'information requise ci-dessous pour référence rapide.

N° de modèle _____

N° de série _____

Voltage _____

Date d'achat _____

Agent de service autorisé

Voir la liste pourvue avec l'appareil

Ou

Pour une liste mise à jour voir :

Site web : www.star-mfg.com

Courriel : customerservice@star-mfg.com



Star
Manufacturing
International Inc.

10 Sunnen Drive
St. Louis, MO 63143

Phone: (314) 678-6303
Fax: (314) 781-2714

Instructions
d'installation
et d'opération

2M-Z16154 Rev. A 10/05/2015

BARBECUE A GAZ RAYONNANT ULTRA-MAX

MODELES
8124RCBA, 8136RCBA
8148RCBA, 8160RCBA, et 8172RCBA

BARBECUE A GAZ ROCHE DE LAVE ULTRA-MAX

MODELES
8024CBA, 8036CBA,
8048CBA, 8060CBA, et 8072CBA

AVERTISSEMENT: L'installation inexacte, le réglage, le changement, le service ou l'entretien peuvent causer des dégâts matériels, des dommages ou la mort. Lisez les instructions d'installation, d'opération et d'entretien complètement avant d'installer ou entretenir ce matériel.

POUR VOTRE SÛRETÉ: N'enregistrez pas ou n'utilisez pas l'essence ou d'autres vapeurs ou liquides inflammables à proximité de ceci ou d'aucun autre appareil.

AVERTISSEMENT: Cet appareil sera installé selon des règlements actuels et utilisé seulement dans l'espace bien-aéré. Référez-vous aux instructions avant d'installer et utiliser cet appareil.

En outre, là devrait être signalé, dans un emplacement en avant, des instructions détaillées d'être suivi en cas que l'opérateur sent le gaz. Obtenez les instructions du fournisseur local de gaz.

