

Model: PST7 Platten Assemblies



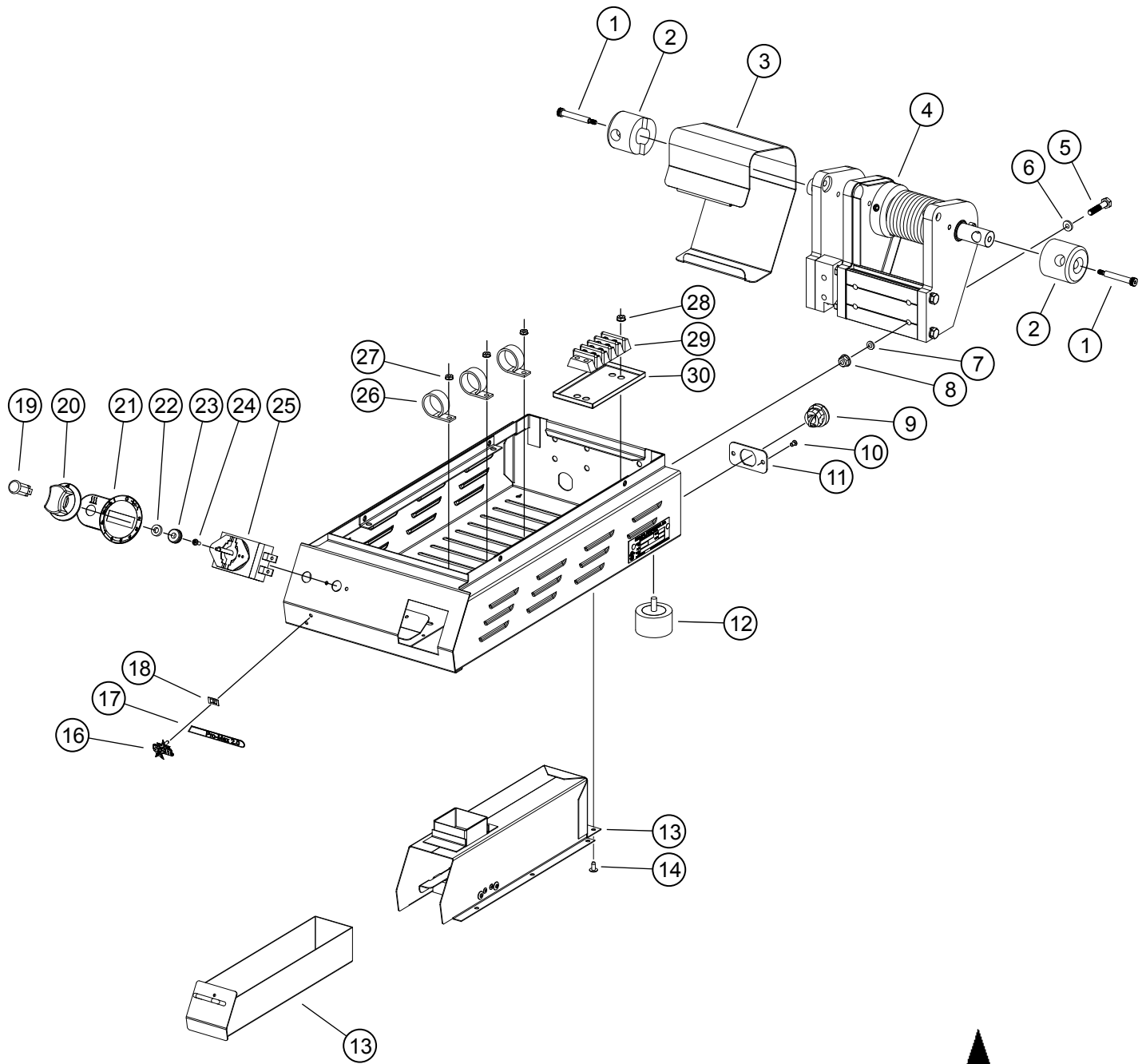
SK2891

Rev. - 4/01/15

# PARTS LIST

April 2, 2015,

Model: PST7 Platen Assemblies				
Fig. No	Part Number	Qty	Description	Application
1	<a href="#">2C-Z18300</a>	2	SCR,SHLDR,SS,3/8 DIA.X1.0	
2	2B-Z19515	1	ARM,RIGHT,7 IN.	
3	<a href="#">2C-Z18751</a>	4	SCR,SHLDR,SS,3/8 DIA.X.50	
4	<a href="#">D9-GR0650</a>	1	LINK AY., LEFT	
5	<a href="#">2C-Z18752</a>	4	LOCKNUT, ACORN,1/4-20,SS	
6	2C-37498	4	BOLT HEX 3/8-16 X 1 SS	
7	<a href="#">2V-Z18468</a>	1	PLATE, LIFTING, LEFT SIDE	
8	D9-GR0685	1	WELD AY.,TOP HOUSING,7	
9	<a href="#">2C-Z3780</a>	2	RETAINER, CONDUIT	
10	<a href="#">2C-Z3917</a>	2	RIVET, POP, .188 (AD66BS)	
11	<a href="#">2E-Z2898</a>	1	CONDUIT ASSY. - PTFE	
12	<a href="#">2A-Z3827</a>	1	PLATE,STAMPING - CONDUIT	
13	<a href="#">2E-Z3768</a>	1	LOCKNUT, CONDUIT, 1/2 IN.	
14	<a href="#">2V-Z18311</a>	1	PLATE,LIFTING,RIGHT SIDE	
15	<a href="#">D9-GR0651</a>	1	LINK AY., RIGHT	
16	2B-Z19514	1	ARM,LEFT.7 IN.	
17	<a href="#">2C-Z18749</a>	4	SCREW,SS,10-32X625 PH FHD	
18	2V-Z19512	1	HANDLE,7 IN.	
19	<a href="#">2C-2853</a>	1	SCREW #8X5/8 A THP STL NP	
20	<a href="#">B9-04-WB-0046</a>	1	CLAMP WIRE SUPPORT	
21	<a href="#">2C-Y1451</a>	2	RIVET 1/8 x .337 MORISON	
22	<a href="#">D9-Z13012</a>	1	WIRE MOUNT	
23	<a href="#">D9-Z2133</a>	1	INSULATION FIBERGLAS TOP	
24	<a href="#">2C-Z2893</a>	16	NUT 10-24 HEX STL ZP	
25	<a href="#">D9-Z13013</a>	2	BRACKET, INSULATION HOLD	
26	<a href="#">D9-Z13011</a>	1	PLATE-TOP ELEMENT RET.	
27	<a href="#">PS-Z9325</a>	1	ELEMENT HEATING TOP 500W	120V
	<a href="#">PS-Z9326</a>		ELEMENT HEATING TOP 500W	230V, 240V, UK
28	<a href="#">2C-08-07-0285</a>	8	SCREW 10-24X3/4X3/8 TYPE	
29	<a href="#">PS-GR0356</a>	1	KIT, <a href="#">2F-Z3237</a> TOP CASTING, SMOOTH	PST7E
	<a href="#">PS-GR0355</a>		KIT, 2F-Z5615 TOP CASTING, GROOVED	PST7EGT, PGT7
	<a href="#">2F-Z7967</a>		CASTING, IRON, TOP, GR.-SPT	PGT7I
30	<a href="#">2C-Z5883</a>	8	10-24 X 1/2 FZA SCREW	
31	2F-Z17103	1	CASTING,BTTM,SMOOTH,AL,7	PST7
	2F-Z17104		CASTING,BOTTOM GRV ALUM	PGT7
	2F-Z19221		CASTING, BTM,GROOVE,IRON 7	PGT7I
32	<a href="#">2N-Z17082</a>	1	ELEMENT,925W,120V,7 BTTM	120V
	<a href="#">2N-Z19546</a>		ELEMENT,925W,240V, 7 BTTM	230V, 240V, UK
33	D9-Z12012	1	PLATE, BOTTOM ELEMENT	
34	D9-Z19424	1	INSULATION,7,BOTTOM	
35	<a href="#">D9-Z12885</a>	2	INSULATION HOLD DOWN,	



Model: PST7 Base Assembly



SK2890, Rev. - 4/1/15

# PARTS LIST

April 2, 2015,

Model: PST7 Base				
Fig No	Part Number	Qty	Description	Application
1	<a href="#">2C-Z18302</a>	2	SCR,SHLDR,1/4 DIA.X1.5	
2	<a href="#">2A-Z18301</a>	2	COLLAR AND STOP	
3	D9-Z19543	1	SPRING COVER, 7"	
4	D9-GR0704	1	ASSY.,HINGE,7,Z18289 SPRG	
5	2C-41180	6	BOLT HEX 1/4-20X1 1/4	
6	<a href="#">2C-1811</a>	6	WASHER 1/4 BURR STL NP	
7	2C-20204-02	6	WASHER SS 1/4 SPLIT LOCK	
8	2C-20301-20	6	NUT LOCK STOVER 1/4-20	
9	<a href="#">2K-Y2968</a>	1	BUSHING - HEYCO 7W-2	120V
	<a href="#">2K-Y9253</a>		INLET IEC 320 16 AMP	230V
10	<a href="#">2C-Y6138</a>	4	RIVET 1/8X.250 POP SS SM	
11	D9-Z19225	1	CORD PLATE	
12	<a href="#">2R-Z18201</a>	4	FOOT 1.69X1 SIL 1/4 20	
13	D9-GR0696	1	WLD & RIVET AY.,7 GRS HSG	
14	<a href="#">2C-6349</a>	10	SCREW #8X3/8 B THP STL NP	
15	D9-GR0690	1	GREASE CUP AY.,7	
16	2M-Z15305	1	STAR LOGO, SMALL	
17	2M-Z18452	1	LABEL, PRO-MAX	
18	<a href="#">2C-8477</a>	2	CLIP .125 PO STL PHOS	
19	<a href="#">2J-Y6689</a>	1	PILOT LIGHT 120V	120V
	<a href="#">2J-Z2329</a>		PILOT LIGHT 250V RED NEON	230V
20	<a href="#">D9-GR0709</a>	1	KNOB ASSEMBLY	
21	<a href="#">2M-Z18453</a>	1	LABEL, DIAL AND LIGHT	
22	<a href="#">2I-Z3380</a>	1	THERMOSTAT SEAL WASHER	
23	<a href="#">2I-Z3379</a>	1	T-STAT GROMMET	
24	<a href="#">2C-1488</a>	2	SCREW 6-32X3/8 RHP STL NP	
25	<a href="#">2T-6447</a>	1	THERMOSTAT 118V-236V	
26	2C-Z19091	3	1.00 DIA. WIRE CLIP,NYLON	
27	<a href="#">2C-Z2594</a>	5	NUT 6-32 HEX W STL NP	
28	2C-Z3447	1	NUT 8-32 HEX W/EXTERNAL	
29	<a href="#">2E-Z2894</a>	1	TERMINAL BLOCK (304)	
30	D9-Z19226	1	PAN,TERMINAL BLOCK	
NI	<a href="#">2E-Y9251</a>	1	CORD SET CONT EUR 16AMP	230V
	<a href="#">2E-Z2770</a>		CORD, POWER, 14-3, 6-15P	240V
	<a href="#">2E-Z2935</a>		CORD SJTO 14/3 NEMA 5-15P	120V