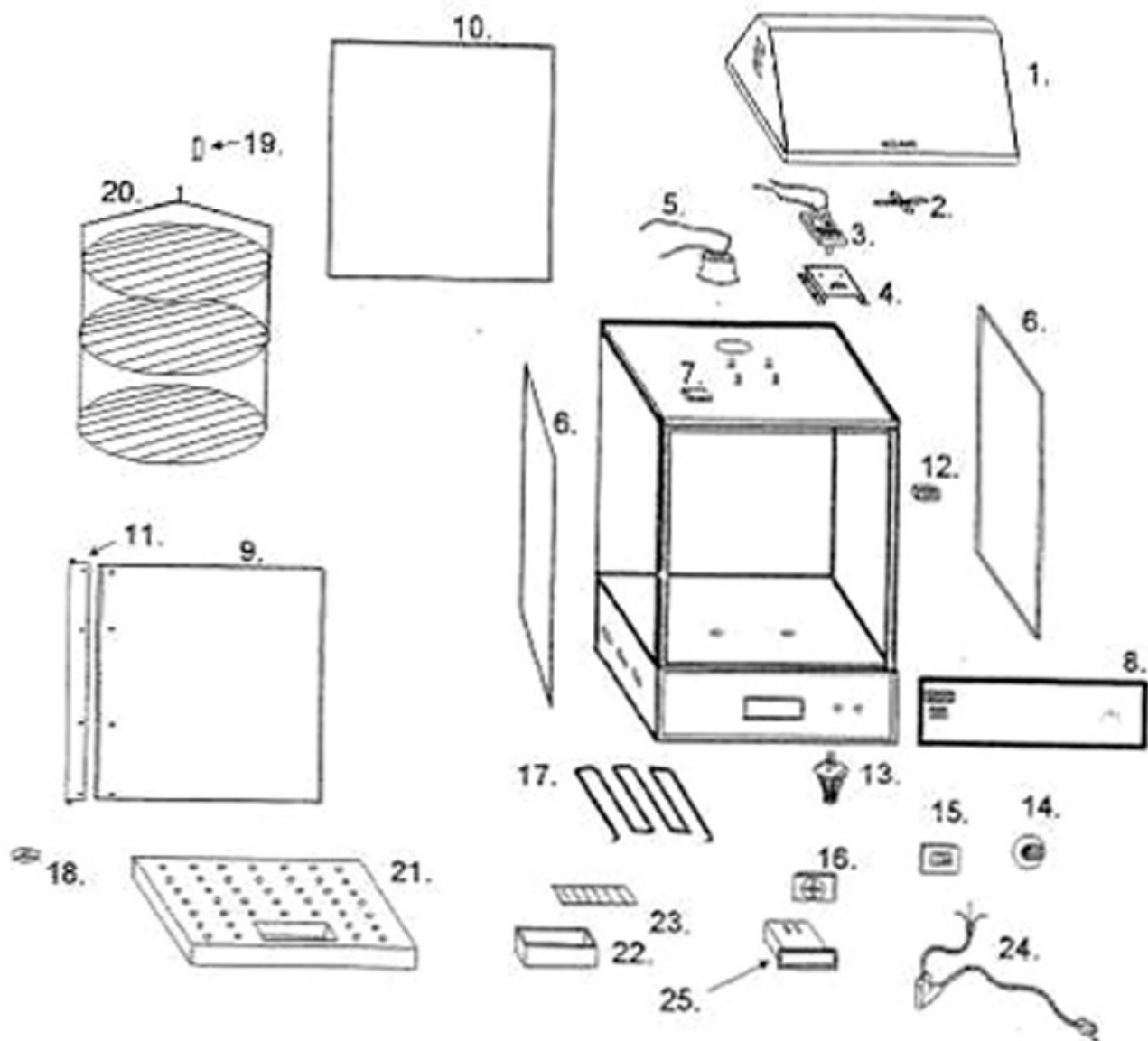


OPERATOR'S MANUAL
HOLMAN COOKING EQUIPMENT
MULTI-USE MERCHANDISER MODELS PDU 14-R, PDU 18-R

VII. PARTS LIST / EXPLODED VIEW: MODEL PDU 18-R



<u>PART NUMBER</u>	<u>DESCRIPTION</u>	<u>PART NUMBER</u>	<u>DESCRIPTION</u>
1.	100966 TOP COVER	14.	200702 CONTROL KNOB
2.	200703 FAN BLADE	15.	200539 VARIABLE HEAT CONTROL
3.	200570 DRIVE MOTOR	16.	200559 FAN MOTOR
4.	402114 MOTOR BRACKET	17.	189190 HEATER ELEMENT
5.	200793 LIGHT ASSEMBLY	18.	200795 BUSHING
6.	402287 POLY SIDE WALL	19.	100961 COUPLING ASSEMBLY
7.	200571 MICRO SWITCH	20.	200797 DISPLAY RACK, 18"
8.	200686 LABEL, CONTROL PANEL	21.	402254 BOTTOM PAN
9.	100975 POLY DOOR ASSEMBLY	22.	200794 PAN
10.	402285 POLY BACK	23.	402110 PAN COVER
11.	100960 DOOR HINGE	24.	140034 CORD/PLUG SET
12.	200727 DOOR MAGNET	25.	200575 L.E.D. DISPLAY
13.	200709 LEG, 1" PLASTIC (4 ea.)		