

HOLMAN® COOKING EQUIPMENT

90 INDUSTRIAL PARK ROAD, P.O. BOX 880, SACO, ME/U.S.A. 04072-0880
(207) 282-1589 • 800-225-3958 • FAX (207) 282-6283

**OPERATOR'S MANUAL
HOLMAN COOKING EQUIPMENT
MULTI-USE MERCHANDISER MODELS
PDU 14-R, PDU 18-R**

**FOR SERVICE INFORMATION
U.S. AND CANADA CALL: 1-800-225-3958
24 HOURS/DAY 7 DAYS/WEEK**

TABLE OF CONTENTS

UNCRATING AND INSPECTION	PAGE 1
ASSEMBLY AND INSTALLATION	PAGE 1
OPERATION	PAGE 2
CLEANING PROCEDURES	PAGE 3, 4
TROUBLESHOOTING GUIDE	PAGE 4, 5
MAINTENANCE PROCEDURES	PAGE 6, 7, 8, 9
PARTS LIST/EXPLODED VIEW	PAGE 10, 10a

DRAWINGS

COMPONENT ARRANGEMENT	PAGE 2
DISPLAY RACK REMOVAL	PAGE 3
HEATER TUBE INSTALLATION	PAGE 5
VARIABLE HEAT CONTROL	PAGE 7
DRIVE SYSTEM	PAGE 8
EXPLODED VIEW	PAGE 10, 10a
WIRING DIAGRAMS	PAGE 11, 12

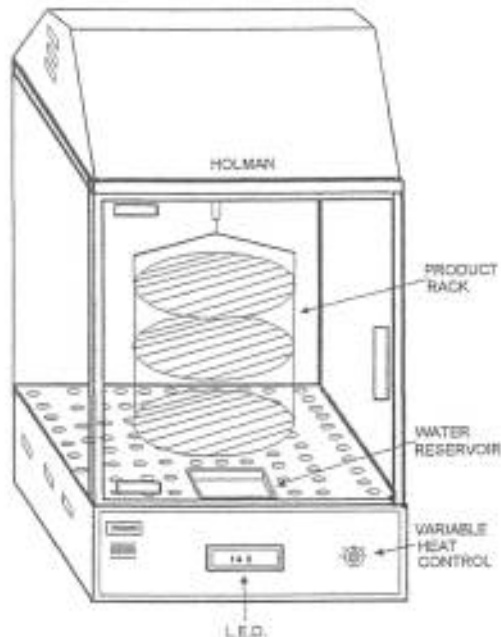
FILE:FMICHAEL\MANUALS\WAMANUAL\MUM.DOC

HG0338

REV. 1/6/99 MJC

OPERATOR'S MANUAL
 HOLMAN COOKING EQUIPMENT
 MULTI-USE MERCHANDISER MODELS PDU 14-R, PDU 18-R

III. OPERATION



- 1). Open merchandiser door and remove water reservoir cover. Fill reservoir with water and replace cover. This reservoir must be kept full during operation of the unit.
- 2). The Multi-Use Merchandiser must be at the proper holding temperature **before** product is loaded onto the rack. Close door and set variable heat control to HI and allow unit to heat up for approximately 30 minutes. The interior light should come on and the product rack will begin to rotate.
- 3). After unit has warmed, set variable heat control to desired holding temperature. The L.E.D. display on the lower front of the unit will display the internal temperature during operation.
- 4). Once the proper holding temperature has been reached, the merchandiser may then be loaded with product.
- 5). Adjust the variable heat control as needed to maintain desired temperature.
- 6). **(For units with a revolving product rack)**- When the variable heat control is set to any heat setting, and the door is closed, the product rack will revolve. Once the door is opened, the rack will stop moving to allow product to be removed or loaded on to the rack. The door must be closed for the product rack to begin rotating.

**OPERATOR'S MANUAL
HOLMAN COOKING EQUIPMENT
MULTI-USE MERCHANDISER MODELS PDU 14-R, PDU 18-R**

CLEANING PROCEDURES CONT.

- 7). Clean the interior and exterior of the polycarbonate walls and door with a damp cloth or glass cleaner. **DO NOT USE AN ABRASIVE PAD OR SCRUBBER TO CLEAN THE POLYCARBONATE AS THIS WILL SCRATCH THE SURFACE.**
- 9). Once all removable parts have been cleaned and thoroughly dried, the merchandiser may be reassembled.
- 10). Insert the metal base into the bottom of the merchandiser. Make sure the water reservoir is on the same side of the unit as the door.
- 11). Insert the Teflon bushing into the hole in the center of the base.
- 12). Re-install the product rack by pushing the coupling up and inserting the top post of the rack into the coupling at the top center of the unit. Make sure the small pins in either side of the post fit into the groves set into the coupling. Push upward and slide the rack into the merchandiser.
- 13). Insert the bottom post of the rack into the Teflon bushing in the base of the merchandiser.
- 14). Once the rack is in place, rotate the product rack clock wise to check for proper fit and rotation.
- 15). Insert the water reservoir into the opening at the front of the base and place cover over the top.
- 16). Close door and wipe exterior with a damp cloth.

V. TROUBLE SHOOTING GUIDE

A. MERCHANDISER WILL NOT HEAT, PRODUCT RACK WILL NOT ROTATE.

- 1). Be sure the main circuit breaker is switched to the ON position.
- 2). Check to see if the merchandiser is plugged in and the control is turned to the ON position.
- 3). Call Holman Cooking Equipment Factory Service Team at 1-800-225-3958 if further assistance is required.

B. HEAT WORKS, PRODUCT RACK WILL NOT ROTATE.

- 1). Make sure merchandiser door is closed.
- 2). Check product rack for proper installation or obstructions.
- 3). Call Holman's Factory Service Team as door switch or motor may need replacing.

rev. 1/8/99 mjc

TROUBLE SHOOTING GUIDE CONTINUED ON PAGE 5.

OPERATOR'S MANUAL
HOLMAN COOKING EQUIPMENT
MULTI-USE MERCHANDISER MODELS PDU 14-R, PDU 18-R

MAINTENANCE PROCEDURES CON'T.

B. INSTALLING HEATING ELEMENT.

- 1). Place the new heater element on the interior bottom of unit. Insert threaded ends of new heater element into the two holes in the bottom of the merchandiser.
- 2). **IMPORTANT:** Place fiber washer over threaded end of heater element.
- 3). Next, install flat washers over fiber washer.
- 4). Install and tighten hex nuts over washers to secure heater element in place and create a moisture proof seal.
- 5). Reconnect the two leads from the variable heat control to the terminal ends on the heater element.
- 6). Replace the bottom cover and secure with 12 ea. Philips screws.
- 7). Return unit to upright position and reassemble as described under **CLEANING PROCEDURES** (section IV.).
- 8). Connect unit to power supply and test for proper operation.
- 9). If assistance is required for this or any procedure in this manual, please contact Holman's Factory Service Team at 1-800-225-3958.

C. REPLACING VARIABLE HEAT CONTROL.

- 1). **DISCONNECT UNIT FROM POWER SUPPLY.**
- 2). Remove water reservoir and product rack as described in previous section.
- 3). Carefully, lay merchandiser on its back with the heat control knob facing the ceiling.
- 5). Remove control knob by loosening set screw with an allen wrench and pulling knob upwards.
- 6). To remove the bottom cover, remove 12 ea. Phillips head screws from the unit.
- 7). Remove lock nut holding variable heat control in place and push switch through hole in chassis. **NOTE: DO NOT DISCONNECT WIRES FROM OLD SWITCH AT THIS TIME.**

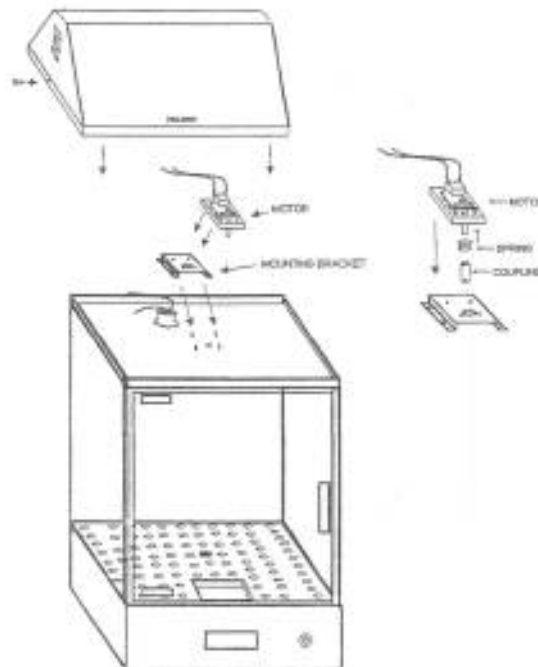
MAINTENANCE PROCEDURES CONTINUED ON PAGE 7.

OPERATOR'S MANUAL
HOLMAN COOKING EQUIPMENT
MULTI-USE MERCHANDISER MODELS PDU 14-R, PDU 18-R

MAINTENANCE PROCEDURES CONT.

E. REPLACING DRIVE MOTOR.

- 1). DISCONNECT UNIT FROM POWER SUPPLY.
- 2). Remove product rack by lifting rack upward and tilting the bottom outward. Slide rack out of unit.
- 3). Remove top cover by removing two Philips head screws (one each side), and lifting cover straight up.
- 4). Disconnect the drive motor's blue wire from the terminal block located in the corner of the unit.
- 5). Next, disconnect the drive motor's black wire from the micro switch located next to terminal block.
- 6). There are 4 ea. # 8-32 hex nuts and 4 ea. # 8 lock washers holding the motor mounting bracket in place. Remove the hex nuts and washers along with the light fixture's green ground strap and lift the mounting bracket with motor attached straight up. This will release the motor and tension spring from the coupler assembly.



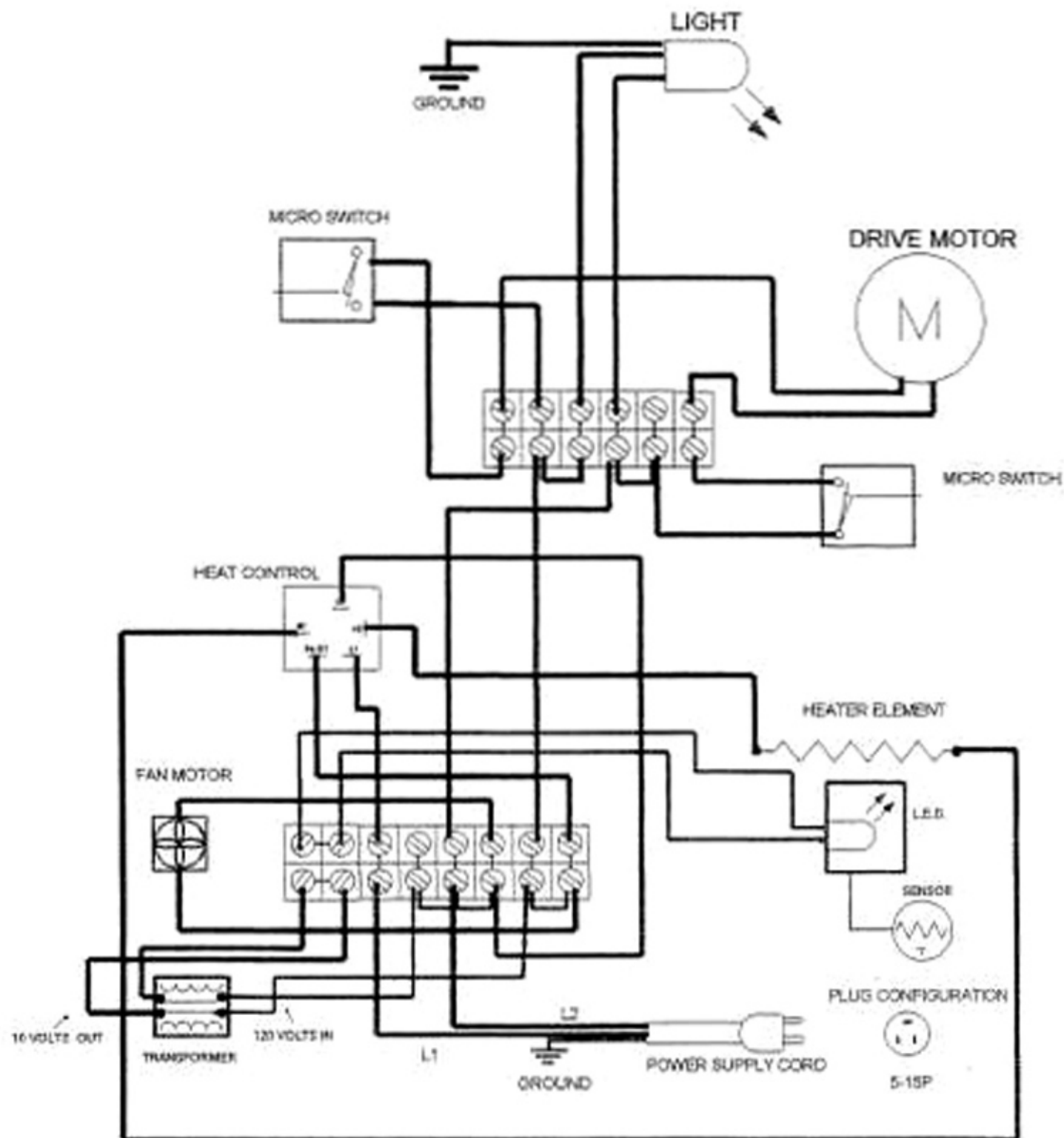
- 7). Remove tension spring and fan blade from motor.
- 8). Detach mounting bracket from motor by removing 4 ea. # 6-32 x 1/4 Philips head screws and 4 ea. # 6 lock washers.

MAINTENANCE PROCEDURES CONTINUED ON PAGE 9.

**OPERATOR'S MANUAL
HOLMAN COOKING EQUIPMENT
MULTI-USE MERCHANDISER MODELS PDU 14-R, PDU 18-R**

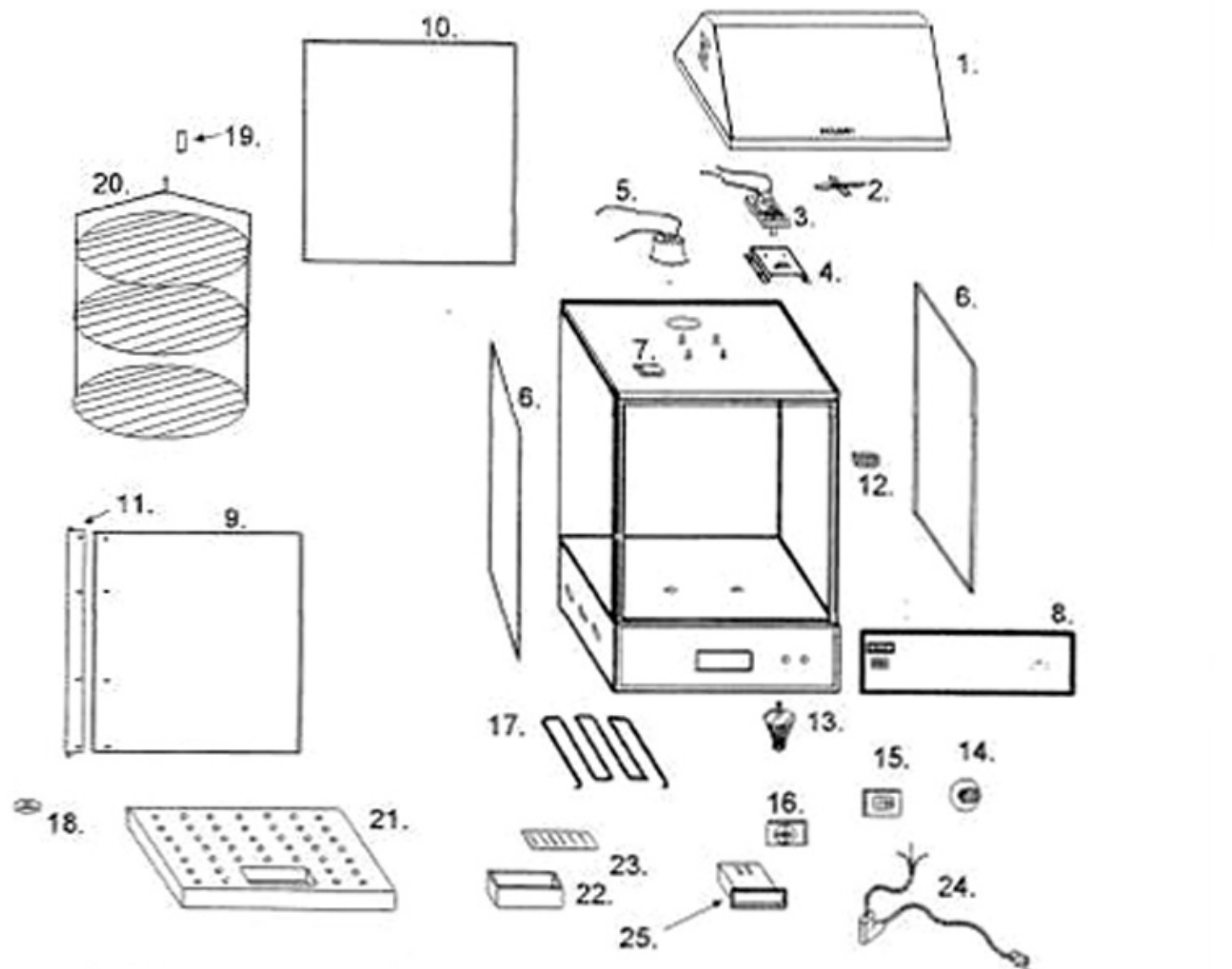
VIII. WIRE DIAGRAM:

MODELS PDU 14-R, PDU 18-R - DOUBLE DOOR UNIT, 120 VAC 60 Hz



OPERATOR'S MANUAL
HOLMAN COOKING EQUIPMENT
MULTI-USE MERCHANDISER MODELS PDU 14-R, PDU 18-R

VII. PARTS LIST / EXPLODED VIEW: MODEL PDU 14-R



PART NUMBER DESCRIPTION

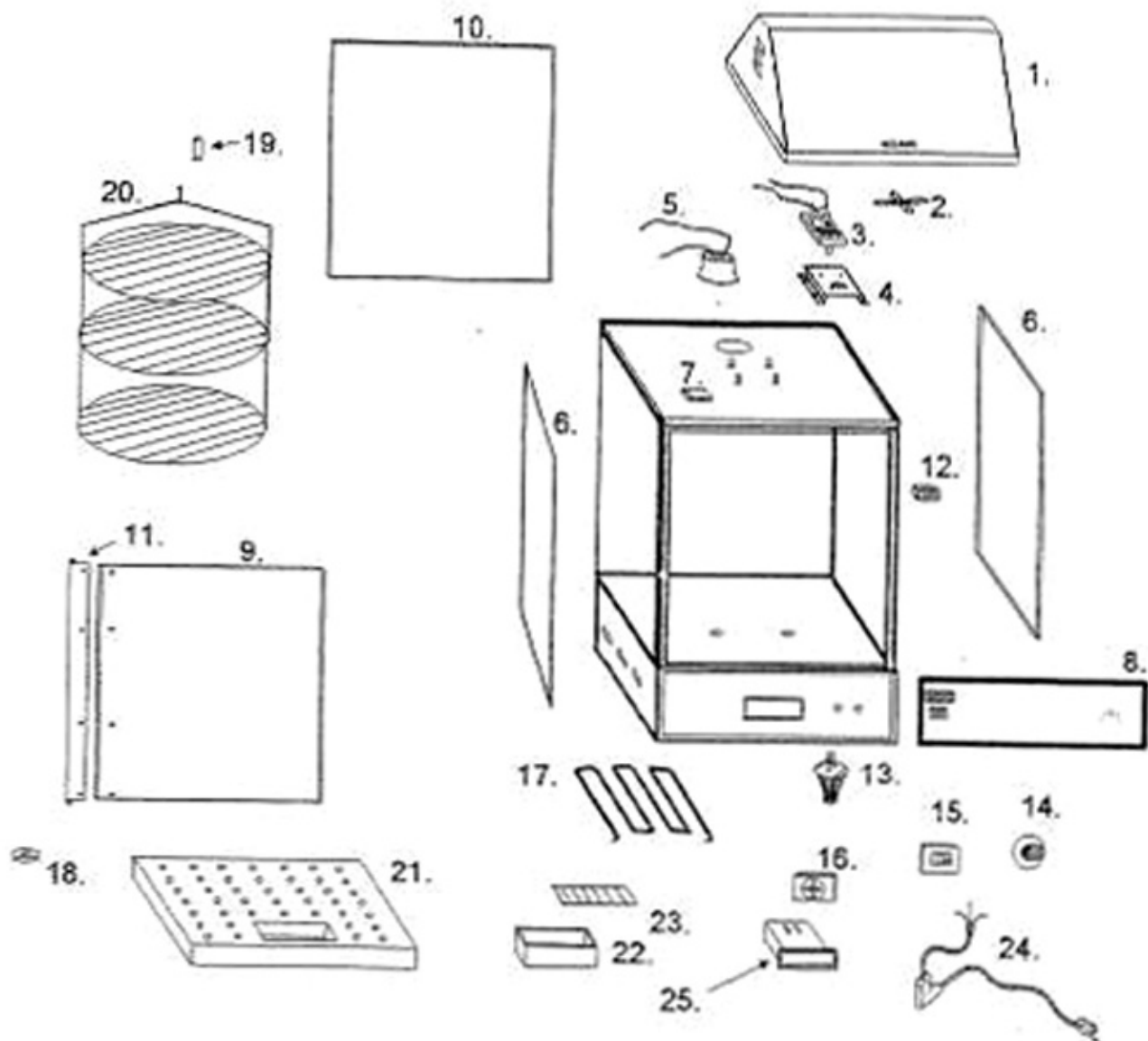
1.	100949	TOP COVER
2.	200703	FAN BLADE
3.	200570	DRIVE MOTOR
4.	402114	MOTOR BRACKET
5.	200793	LIGHT ASSEMBLY
6.	402289	POLY SIDE WALL
7.	200571	MICRO SWITCH
8.	200686	LABEL, CONTROL PANEL
9.	100974	POLY DOOR ASSEMBLY
10.	402290	POLY BACK
11.	100960	DOOR HINGE
12.	200727	DOOR MAGNET
13.	200709	LEG, 1" PLASTIC (4 ea.)

PART NUMBER DESCRIPTION

14.	200702	CONTROL KNOB
15.	200539	VARIABLE HEAT CONTROL
16.	200569	FAN MOTOR
17.	199190	HEATER ELEMENT
18.	200795	BUSHING
19.	100961	COUPLING ASSEMBLY
20.	200795	DISPLAY RACK, 14"
21.	402104	BOTTOM PAN
22.	200794	WATER RESERVOIR
23.	402110	RESERVOIR COVER
24.	140034	CORD/PLUG SET
25.	200575	L.E.D. DISPLAY

OPERATOR'S MANUAL
HOLMAN COOKING EQUIPMENT
MULTI-USE MERCHANDISER MODELS PDU 14-R, PDU 18-R

VII. PARTS LIST / EXPLODED VIEW: MODEL PDU 18-R



<u>PART NUMBER</u>	<u>DESCRIPTION</u>	<u>PART NUMBER</u>	<u>DESCRIPTION</u>		
1.	100966	TOP COVER	14.	200702	CONTROL KNOB
2.	200703	FAN BLADE	15.	200539	VARIABLE HEAT CONTROL
3.	200570	DRIVE MOTOR	16.	200559	FAN MOTOR
4.	402114	MOTOR BRACKET	17.	199190	HEATER ELEMENT
5.	200793	LIGHT ASSEMBLY	18.	200795	BUSHING
6.	402287	POLY SIDE WALL	19.	100961	COUPLING ASSEMBLY
7.	200571	MICRO SWITCH	20.	200797	DISPLAY RACK, 18"
8.	200686	LABEL, CONTROL PANEL	21.	402254	BOTTOM PAN
9.	100975	POLY DOOR ASSEMBLY	22.	200794	PAN
10.	402285	POLY BACK	23.	402110	PAN COVER
11.	100960	DOOR HINGE	24.	140034	CORD/PLUG SET
12.	200727	DOOR MAGNET	25.	200575	L.E.D. DISPLAY
13.	200709	LEG, 1" PLASTIC (4 ea.)			