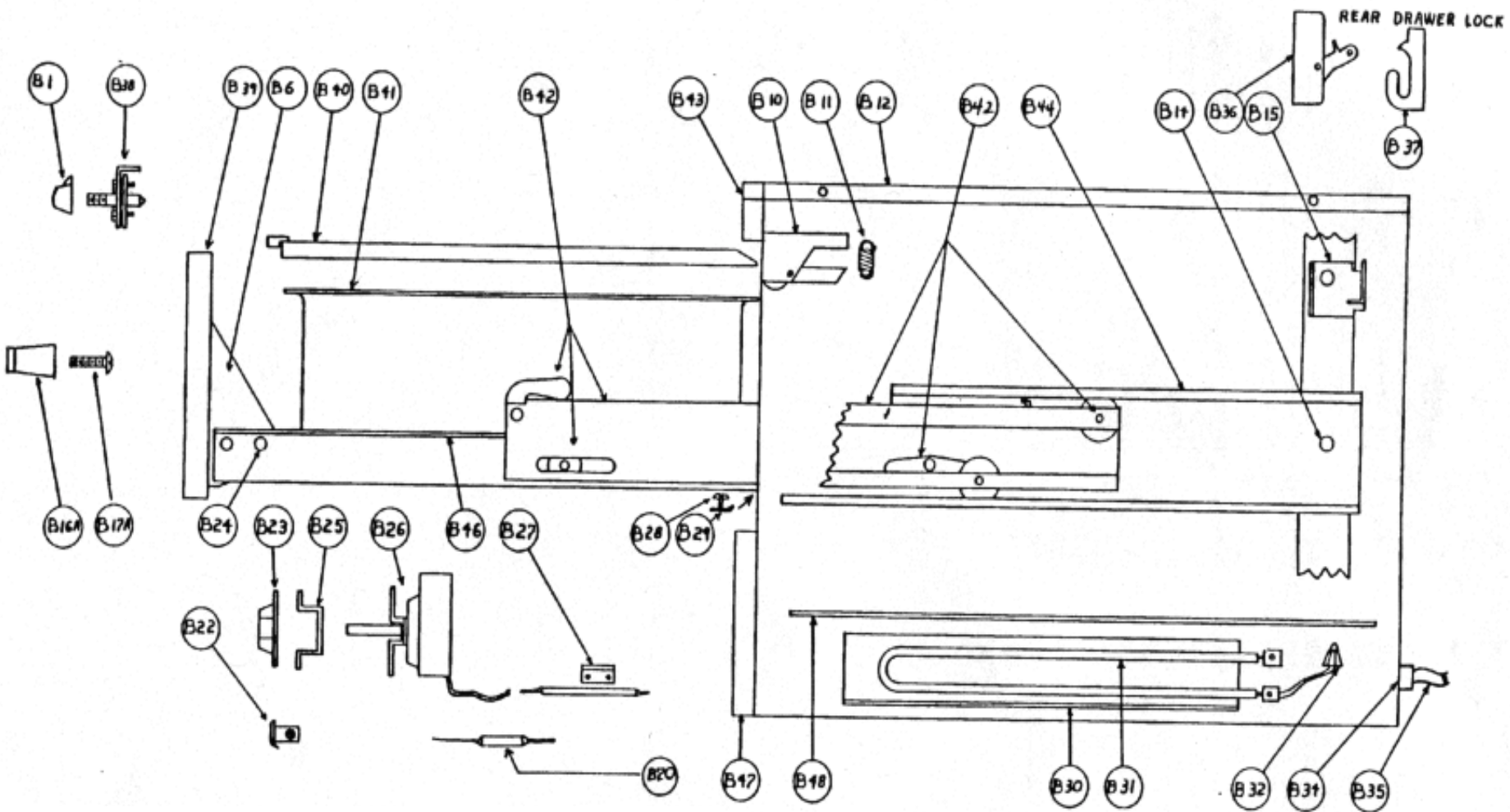


REPLACEMENT PARTS PRICE LIST

MODELS: MDD1, MDD2, MDD3-L; MDD1 BI, MDD2 BI, MDD2 BI-L (120V)
MDD1, MDD2, MDD3-H; MDD1 BI, MDD2 BI, MDD3 BI-H (208/230V)



9E MODEL MDD Series Drawer Food Warmer

Key Number	Part Number	Number Per Unit	Description	
B1	2R-09-FW-0006	1/2/3	MOIST CRISP CONTROL KNOB	MDD1/MDD2/MDD3
B6	E9-04-FW-0111	1/2/3	DRAWER SUPPORT (LEFT)	MDD1/MDD2/MDD3
	E9-04-FW-0060	1/2/3	DRAWER SUPPORT (RIGHT)	MDD1/MDD2/MDD3
B10,B11	E9-30-FW-0043	1/2/3	LID LIFT ASSEMBLY	MDD1/MDD2/MDD3
B12	E9-04-FW-0212	1	TOP COVER	
B14			SCREW (<i>OBTAIN LOCALLY</i>)	
B15	E9-04-FW-0137	1/2/3	LID REST GUIDE (LEFT)	MDD1/MDD2/MDD3
	E9-04-FW-0136	1/2/3	LID REST GUIDE (RIGHT)	MDD1/MDD2/MDD3
B16a	2R-Y7557	1/2/3	HANDLE DOOR	MDD1/MDD2/MDD3
B16b	2A-09-07-0222	2/4/6	HANDLE INSERTS (<i>not shown</i>)	MDD1/MDD2/MDD3
B17a	2C-08-07-0048	2/4/6	HANDLE SCREW (10-32 x 1.75)	MDD1/MDD2/MDD3
B22	2S-Z3823	1	ROUND INDICATOR LIGHT (120V) (<i>NEW STYLE</i>)	
	2S-05-07-0138	1	ROUND INDICATOR LIGHT (240V) (<i>NEW STYLE</i>)	
	2S-05-07-0040	1	SQUARE INDICATOR LIGHT (120V) (<i>OLD STYLE</i>) (<i>not shown</i>)	
	2S-05-07-0170	1	SQUARE INDICATOR LIGHT (240V) (<i>OLD STYLE</i>) (<i>not shown</i>)	
B23	2R-09-07-0006	1	THERMOSTAT KNOB	
B24			HEX HEAD SCREW (<i>OBTAIN LOCALLY</i>)	
B25	E9-04-FW-0243	1	THERMOSTAT BRACKET	
B26	2T-05-FW-0003	1	THERMOSTAT, CAPILLARY TUBE TYPE	
B27	E9-04-FW-0131	1	THERMOSTAT BULB HOLDER	
B28			SCREW (<i>OBTAIN LOCALLY</i>)	
B29	E9-04-FW-0103	1/2/3	DRAWER STOP (LEFT)	MDD1/MDD2/MDD3
	E9-04-FW-0313	1/2/3	DRAWER STOP (RIGHT)	MDD1/MDD2/MDD3
B30	E9-50-FW-0050	1/2/3	ELEMENT PLATE ASSEMBLY	MDD1/MDD2/MDD3
B31	2N-05-FW-0007	1/2/3	ELEMENT, 500 WATT (120/208/240V)	MDD1/MDD2/MDD3
B32	2C-05-07-0036	2	PORCELAIN WIRE CONNECTOR (<i>OLD STYLE</i>)	
	2E-05-07-0057	1	TERMINAL BLOCK (<i>NEW STYLE</i>) (<i>not shown</i>)	
B34	2K-05-07-0017	1	STRAIN RELIEF, CORDSET	
B35	2E-05-07-0051	1	LEAD-IN CORD (120V)	
	2E-05-07-0049	1	LEAD-IN CORD (240V)	
B36	E9-30-FW-0044	1/2/3	REAR DRAWER LOCK	MDD1/MDD2/MDD3
B37	E9-70-FW-0093	1/2/3	REAR DRAWER LOCK CATCH	MDD1/MDD2/MDD3
B38	E9-30-FW-0045	1/2/3	MOIST CRISP CONTROL COMPLETE	MDD1/MDD2/MDD3
B38a	2M-12-FW-0001	1/2/3	LABEL-M/C CONTROL	MDD1/MDD2/MDD3
B39	E9-50-FW-0053	1/2/3	DRAWER FRONT <i>less</i> HANDLE	MDD1/MDD2/MDD3
B40	E9-30-FW-0093	1/2/3	PAN LID ASSEMBLY	MDD1/MDD2/MDD3
B41	2D-09-FW-0076	1/2/3	PAN, STAINLESS STEEL (16-9/16 x 11-11/16 x 6)	MDD1/MDD2/MDD3
B42	E9-30-FW-0041	1/2/3	DRAWER SLIDE-INNER TRACK (LEFT)	MDD1/MDD2/MDD3
	E9-30-FW-0042	1/2/3	DRAWER SLIDE-INNER TRACK (RIGHT)	MDD1/MDD2/MDD3
B43	E9-04-FW-0207	1	FRONT	
B44	E9-30-FW-0095	1/2/3	DRAWER SLIDE-OUTER TRACK (LEFT)	MDD1/MDD2/MDD3
	E9-30-FW-0096	1/2/3	DRAWER SLIDE-OUTER TRACK (RIGHT)	MDD1/MDD2/MDD3
B46	E9-50-FW-0052	1/2/3	DRAWER FRAME <i>less</i> FRONT	MDD1/MDD2/MDD3
B47	2M-Z1604	1	FACEPLATE	
B48	E9-04-FW-0214	1	ELEMENT COVER	MDD1/MDD2/MDD3
	2T-05-FW-0004	1	THERMOMETER FLANGE FRONT (<i>OLD STYLE</i>) (<i>not shown</i>)	
	2T-05-FW-0010	1	THERMOMETER 2" DIAL (<i>NEW STYLE</i>) (<i>not shown</i>)	
	E9-04-FW-0132	1	THERMOMETER BULB HOLDER	
	2P-09-FW-0025	2	RIGID WHEEL/CASTER (<i>not shown</i>)	
	2P-09-FW-0026	2	SWIVEL WHEEL/CASTER (<i>not shown</i>)	
	2A-09-FW-0023	4	LEG 6" (<i>not shown</i>)	
	2A-09-FW-0024	4	LEG 12" (<i>not shown</i>)	

IMPORTANT: WHEN ORDERING, SPECIFY VOLTAGE OR TYPE GAS DESIRED
INCLUDE MODEL AND SERIAL NUMBER

PAGE 1
OF 1

Some items are included for illustrative purposes only and in certain instances may not be available.



Star Manufacturing International, Inc.