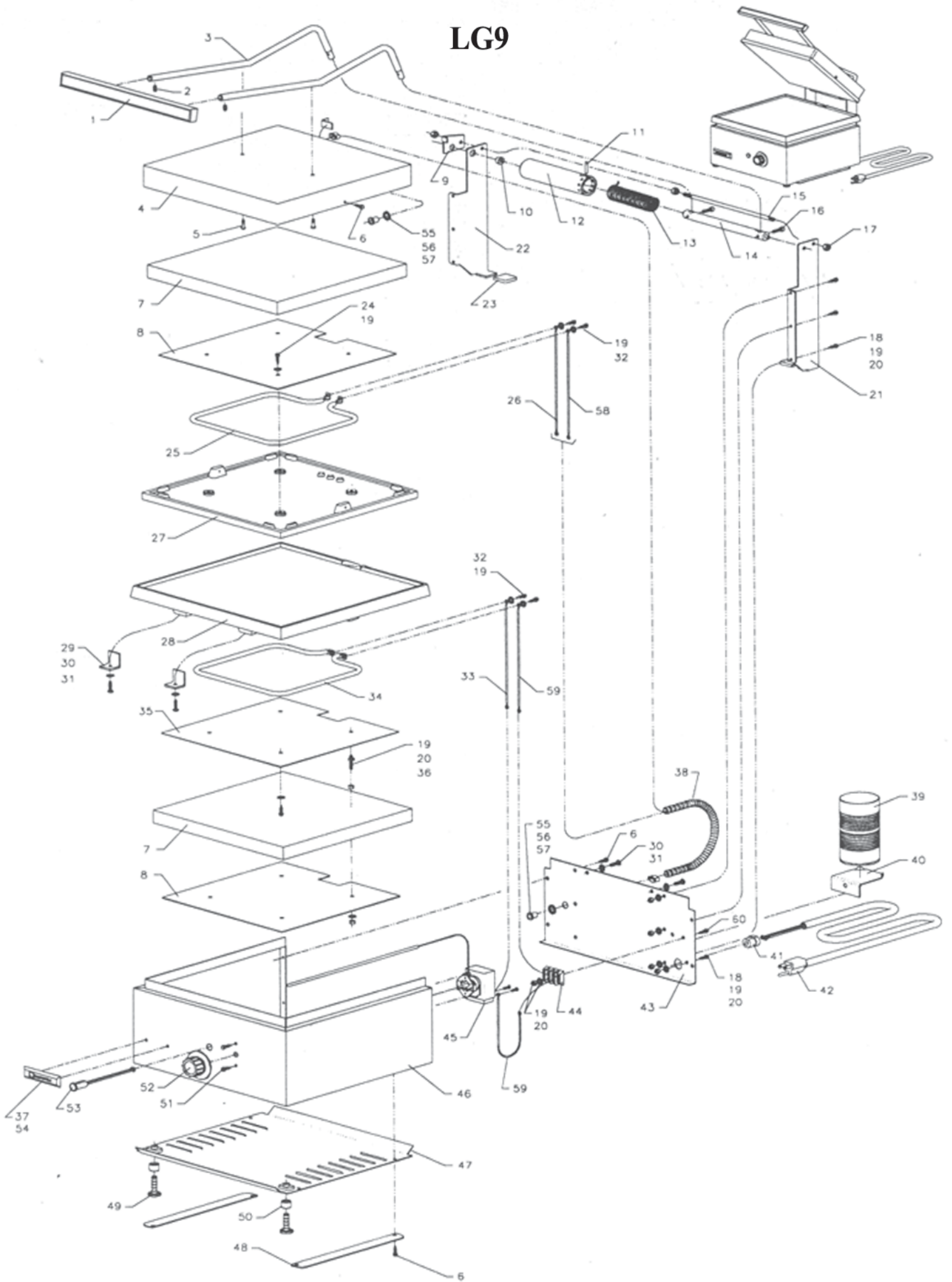


LG9



MODEL TOASTSWELL SPEED GRILL MODEL LG9

Key Number	Part Number	Number Per Unit	Description
1	D9-30-GR-0035	1	HANDLE: LID No Longer Available
2	2C-08-07-0089	2	SET SCREW, 1/4-20 x 3/8
3	D9-30-GR-0040	2	ROD: HANDLE
4	D9-30-GR-0013	1	HOUSING: UPPER
5	2C-08-07-0001	2	SCREW, 10-32 x 5/8
6	2C-08-07-0038	10	SCREW, 6-32 x 17/32
7	E9-06-GR-0001	2	INSULATION: 12" X 12"
8	D9-04-GR-0030	2	PLATE: ELEMENT RETAINER
9	D9-04-GR-0185	1	BRACKET: LID STOP
10	2A-09-GR-0003	1	BUSHING: HINGE SHAFT
11	D9-70-GR-0045	1	PIN: SPRING RETAINER
12	D9-70-GR-0051	1	TUBE: SPRING COVER
13	2P-09-GR-0001	1	SPRING: HINGE
14	2A-27276	1	SHAFT: HINGE
15	D9-70-GR-0139	1	ROD: HINGE
16	2C-08-07-0066	2	SCREW, 10-32 x 3/8
17	2C-08-07-0044	3	NUT, 1/4-20 No Longer Available
18	2C-08-07-0042	7	SCREW, 8-32 x 5/8
19	2C-08-07-0017	23	LOCKWASHER, #8
20	2C-08-07-0018	15	NUT, 8-32
21	D9-50-GR-0169	1	HINGE BRACKET: RIGHT
22	D9-50-GR-0168	1	HINGE BRACKET: LEFT
23	2I-09-GR-0008	2	BOOT: BLACK VINYL
24	2C-08-07-0039	6	SCREW, 8-32 x 3/8
25	2N-05-GR-0165	1	ELEMENT, 700W (120V)
	2N-05-GR-0164	1	ELEMENT, 950W (208/240V)
26	D9-30-GR-0057	1	LEAD WIRE: RED 30" W/LOOP CONN No Longer Available
27	2F-01-GR-0002	1	GRILL PLATE: TOP
28	2F-Z1491	1	GRILL PLATE: BOTTOM
29	D9-04-GR-0039	2	BRACKET: ANCHOR GRILL PLATE
30	2C-08-07-0092	4	SCREW, 10-L4 x 3/4
31	2C-08-07-0093	4	LOCKWASHER, #10
32	2C-08-07-0039	4	SCREW, 8-32 x 3/8
33	D9-30-GR-0059	1	LEAD WIRE: WHITE 6" W/LOOP CONN No Longer Available
34	2N-05-GR-0164	1	ELEMENT, 950W (120V)
	2N-05-GR-0165	1	ELEMENT, 700W (208/240V)
35	D9-30-GR-0039	1	PLATE: ELEMENT RETAINER
36	2A-08-GR-0009	2	STUD: ELEMENT PLATE
37	2C-09-07-0005	1	NAMEPLATE, TOASTSWELL No Longer Available
38	D9-05-GR-0029	1	CONDUIT: FLEXIBLE
39	2L-09-GR-0004	1	CUP: GREASE CATCHER
40	D9-30-GR-0036	1	BRACKET: GREASE CATCHER CUP
41	2K-05-07-0017	1	STRAIN RELIEF: CORDSET
42	2E-05-07-0051	1	CORDSET: 14/3 NEMA 5-15P 120V
	2E-05-07-0049	1	CORDSET: 14/3 NEMA 6-15P 208/230V
43	D9-30-GR-0011	1	PLATE: BACK
44	2C-05-07-0057	1	TERMINAL STRIP: DOUBLE ROW
45	2T-05-GR-0005	1	THERMOSTAT: #K-388-42
46	D9-04-GR-0038	1	HOUSING
47	D9-30-GR-0012	1	COVER: BOTTOM
48	D9-04-GR-0040	2	SPACER STRIP: HOUSING
49-50	D9-40-GR-0013	2	LEG SCREW: ADJUSTABLE & SPACER
51	2C-08-07-0037	2	SCREW, 6-32 x 3/8
52	2R-09-07-0006	1	KNOB: TEMP CONTROL #1650
53	B9-05-07-0006	1	PILOT LIGHT: 120V
	2J-05-07-0010	1	PILOT LIGHT: 230V
54	2C-08-07-0005	2	FASTENER: NAMEPLATE PUSH-ON
55	2C-08-GR-0011	2	BUSHING: CONDUIT
56	2C-08-GR-0001	2	LOCKWASHER, CONDUIT
57	2C-08-GR-0013	2	CLAMP: CONDUIT
58	D9-30-GR-0056	1	LEAD WIRE: BLACK 30" W/LOOP CONN No Longer Available
59	D9-30-GR-0058	2	LEAD WIRE: WHITE 15" W/LOOP CONN No Longer Available
60	2C-08-07-0053	2	SCREW, 8-32 x 3/4

**IMPORTANT: WHEN ORDERING, SPECIFY VOLTAGE OR TYPE GAS DESIRED
INCLUDE MODEL AND SERIAL NUMBER**

Some items are included for illustrative purposes only and in certain instances may not be available.

PAGE 1
OF 1

