

HFS Series Hot Food Servers

Models:

- HFS09
- HFS72

PARTS MANUAL

for domestic and standard export hot food servers

HFS09, HFS72

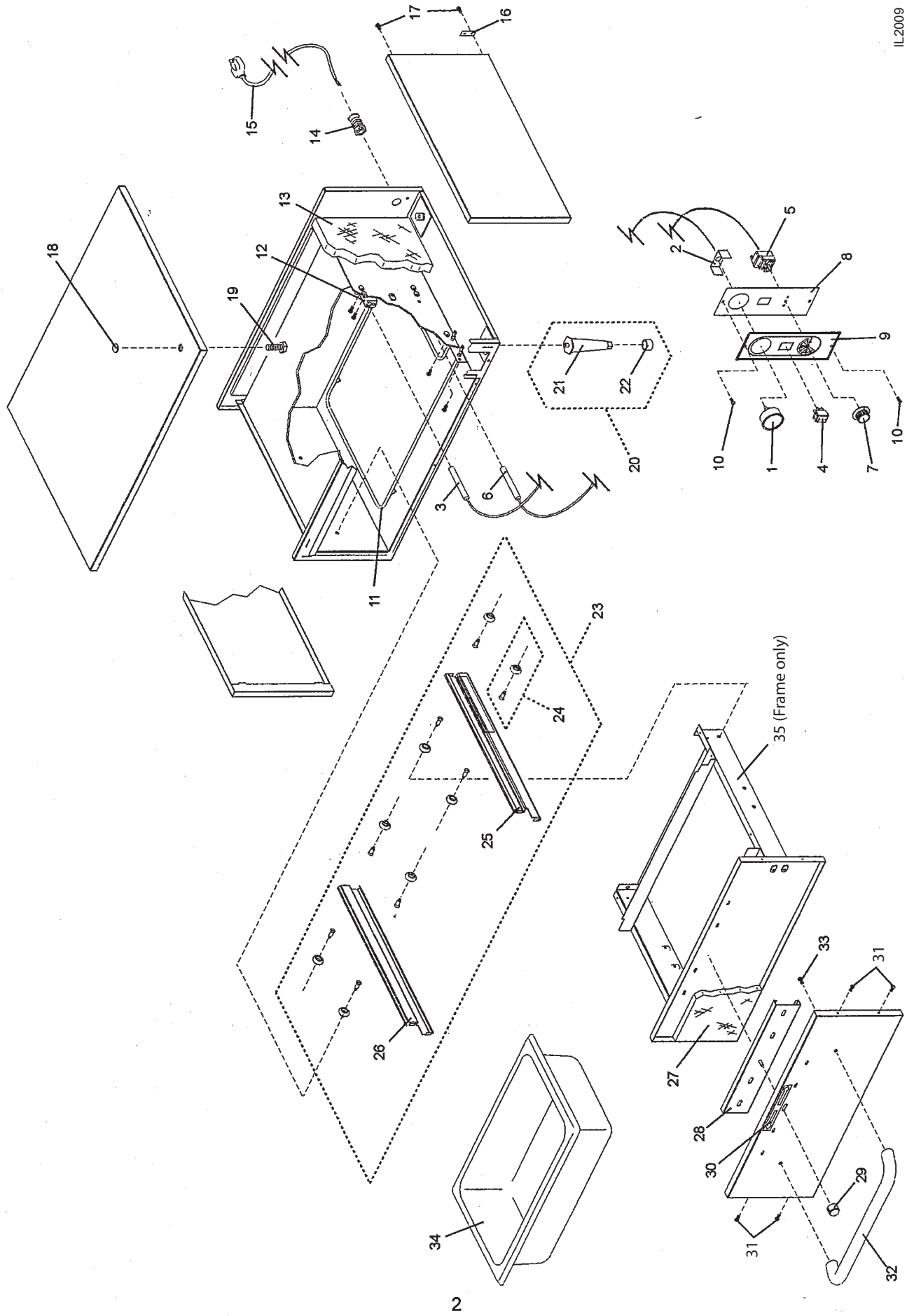
STAR INTERNATIONAL HOLDINGS INC. COMPANY

Star - Holman - Lang - Wells - Bloomfield - Toastmaster

10 Sunnen Drive, St. Louis, MO 63143 U.S.A.

(314) 678-6303

www.star-mfg.com



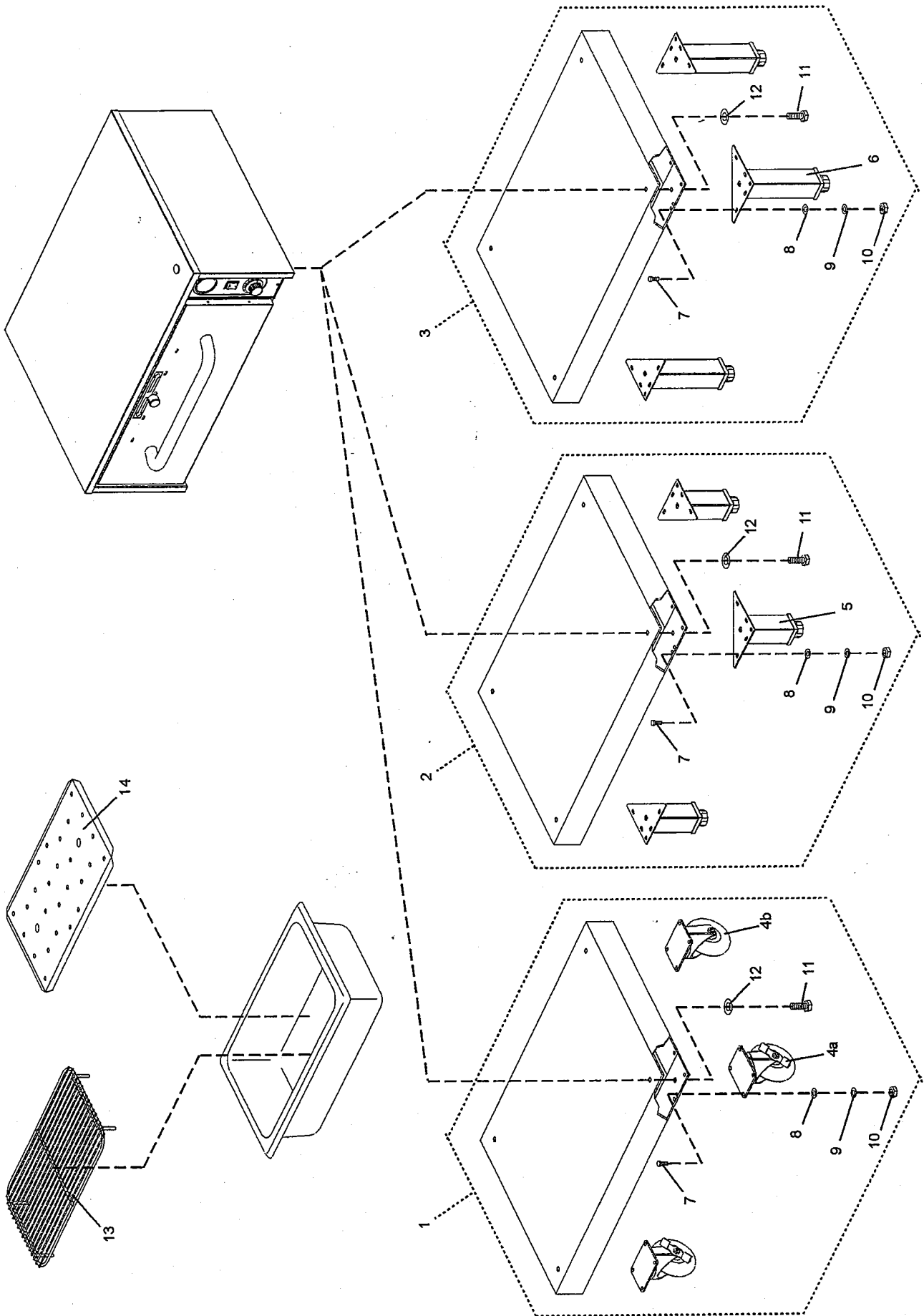
PARTS LIST

March 29, 2012

HFS SERIES HOT FOOD SERVER				
Item No	Qty	Part No	Description	Application
1	1	2T-3004112	THERMOMETER	
2	1		BRACKET, THERMOMETER (INC. w/ITEM 1)	
3	1		BULB, THERMOMETER (INC w/ITEM 1)	
4	1	2E-39700	SWITCH, ON-OFF GREEN 120V	HFS09
		2E-39743	SWITCH, ON-OFF 250V LIGHT	HFS72
5	1	2T-39699	THERMOSTAT	
6	1		BULB, THERMOSTAT (INC w/ITEM 5)	
7	1	2R-33402	KNOB, THERMOSTAT	
8	1	C9-39446	PANEL, CONTROL	
9	1	2M-39696	LABEL, FRONT CONTROLS HFS	
10	2	2C-2000105	SCR, MS SLT TRHD	
11	1	2N-39376	ELEMENT, HEATING 120V 500W	
		2N-39735	ELEMENT, HEATING 230V	
12	2	C9-39917	RETAINER, T'STAT BULB	
13	1	39716 NLA	INSULATION BLANKET, COMPLETE	
	--	IO-B301A8346	INSULATION BULK, FBRGLS 1inX24in	
14	1	33412 NLA	STRAIN RELIEF	
15	1	2E-39916	CORDSET, (5-15P)125V	HFS09
		2E-39905	CORDSET, (6-15P)250V	HFS72
16	2	C9-39722	BRKT,STACKER	
17	4	2C-2000634	SCR, "AB" SLTHWH 6X3/8	
18	1	2P-3100505	PLUG, BUTTON 7/16"	
19	1	2C-1513D8805	SCR,CAP HXHD 3/8-16X3/4N	
21	4	2R-1523B8301	LEG,4IN BLACK PLASTIC	
22	1	2P-31254	CUP,FOOT CUT DOWN	
23	1	2R-39692	SET,DRAWER SLIDE	
24	8	2A-39613	BEARING	
25	1	USE #23	DRAWER SLIDE, RIGHT (INC w/ ITEM 22)	
26	1		DRAWER SLIDE, LEFT (INC w/ ITEM 22)	
27	1	41476 NLA	INSULATION BLANKET	
28	1	39723 NLA	SLIDE VENT	
29	1	39382 NLA	KNOB, SLIDE VENT	
30	1	2M-39906	LBL,CRISP MOIST HFA	
31	4	1421B8803 NLA	SCREW, SLT TRS HD 6-32 X 3/8"	
32	1	2R-Y7557	HANDLE DOOR	Units mfg after 3/1/2012
		PS-TC0076	ASSY, DRWR FRONT & HANDLE	Units mfg before 3/1/2012
33	2	2C-Z6933	BOLT, 1/4-20 X 1 SS HEX	
34	1	2D-41471	PAN, 6IN, 12X20X6, S/S	
35	1	C9-39710	CARRIAGE FRAME ASSY WLDMT	
NI	1	C9-39697	WIRESET, HFS 50/60HZ 1PH	



HFS09, HFS72



ACCESSORIES - PARTS LISTING

ITEM	QTY.	P/N	DESCRIPTION
1	--	ACCHFSC	KIT, BASE & CASTERS (INC. ITEMS 4a, 4b, & 7-12)
2	--	ACCHFS6	KIT, BASE & 6" (152mm) LEGS (INC. ITEMS 5 & 7-12)
3	--	ACCHFS9	KIT, BASE & 9" (229mm) LEGS (INC. ITEMS 6-12)
4a	2	33519	CASTER, 6-1/4" (159mm), WITH BRAKE
4b	2	33520	CASTER, 6-1/4" (159mm)
5	4	39908	LEG, 6" (152mm), WITH ADJUSTABLE FOOT
6	4	39912	LEG, 9" (229mm), WITH ADJUSTABLE FOOT
7	12	B301A8843	SCREW, HEX WSHR HD, 1/4-20 x 1/2"
8	12	21411-0003	FLATWASHER, 1/4"
9	12	21426-0002	LOCK WASHER, 1/4"
10	12	B301A8817	HEX NUT, 1/4"
11	4	1513D8805	HEX BOLT, 3/8-16 x 3/4"
12	4	2001805	LOCK WASHER, 3/8"
13	--	ACC3B26GRTE	GRATE (SLIDES INTO EXISTING PAN)
14	--	ACFB201	PERFORATED INSERT PANEL (SLIDES INTO EXISTING PAN)

