

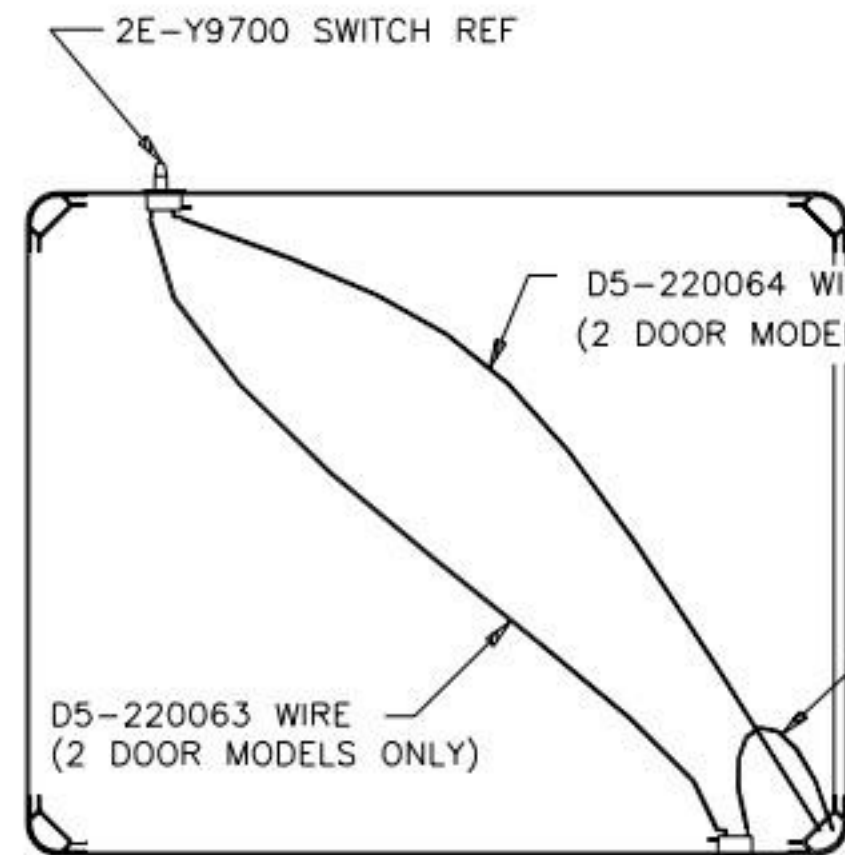
3

2

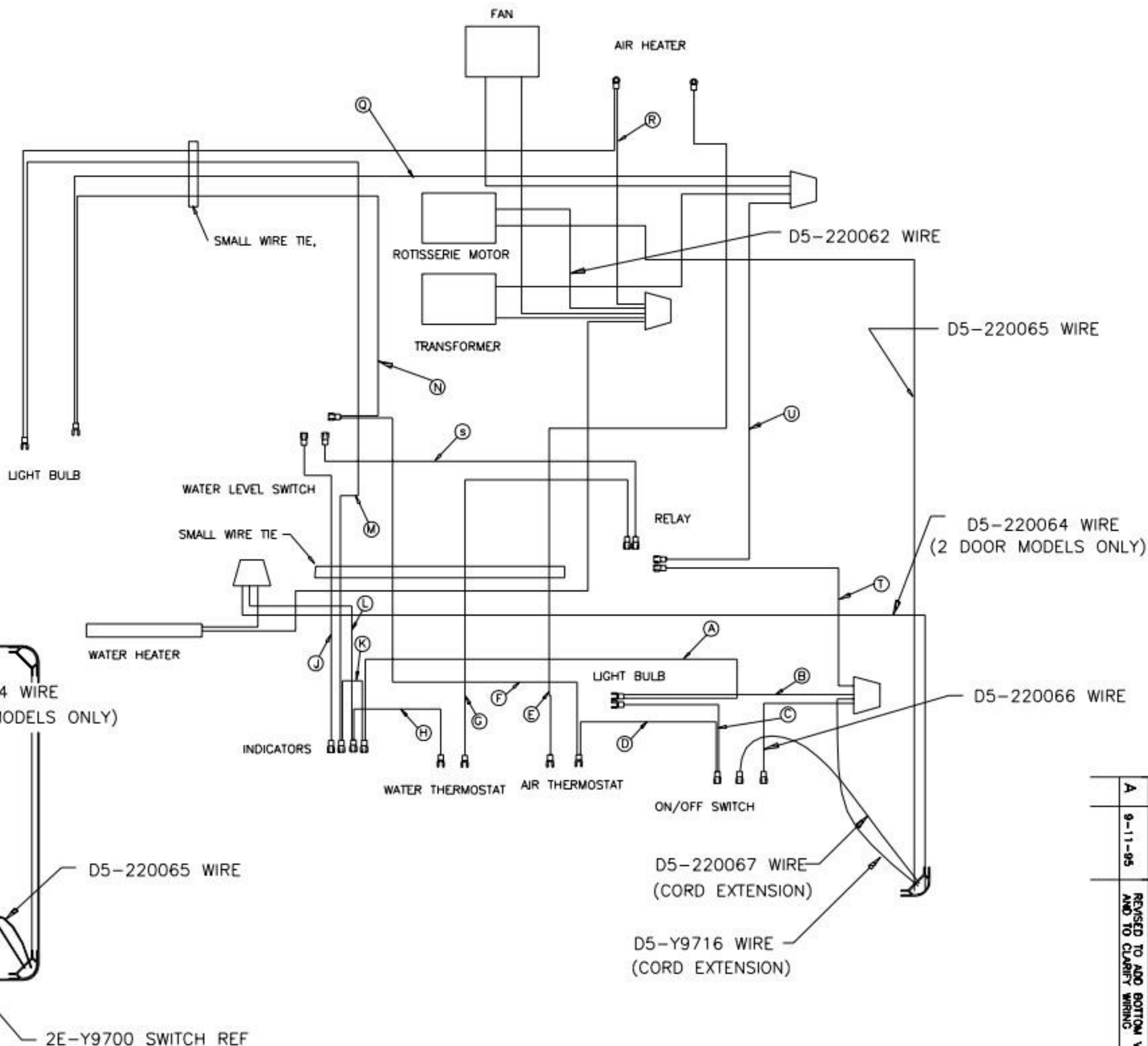
1

INSTALLATION KEY

- A. COLOR WHITE- FROM LIGHT TO INDICATOR
- B. COLOR WHITE- FROM LIGHT, SPLICE TO WHITE
- C. COLOR BLACK- FROM SWITCH TO LIGHT
- D. COLOR BLACK- FROM SWITCH TO AIR THERMOSTAT
- E. COLOR YELLOW- FROM AIR THERMOSTAT TO AIR HEATER
- F. COLOR BLACK- FROM AIR THERMOSTAT TO COMMON MICROSWITCH TERM.
- G. COLOR BLUE- FROM WATER THERMOSTAT TO COMMON ON RELAY
- H. COLOR BROWN- FROM WATER THERMOSTAT TO HUM. INDICATOR
- J. COLOR ORANGE- FROM LOW WATER INDICATOR TO NORMALLY OPEN MICROSWITCH TERMINAL
- K. COLOR WHITE- FROM HUM. INDICATOR TO LOW WATER INDICATOR
- L. COLOR ORANGE- FROM HUM. INDICATOR, SPLICE WITH WATER HEATER LEAD
- M. COLOR WHITE- FROM LOW WATER INDICATOR TO LIGHT BULB
- N. COLOR BLACK- FROM COMMON TERM ON MICROSWITCH TO LIGHT BULB
- P. COLOR BLACK- FROM LIGHT BULB TO SPLICE WITH FAN WIRE, RELAY WIRE, AND TRANSFORMER LEAD
- Q. COLOR WHITE- FROM LIGHT BULB TO AIR HEATER
- R. COLOR WHITE- FROM AIR HEATER TO SPLICE WITH WATER HEATER LEAD, FAN AND TRANSFORMER LEADS
- S. COLOR GREEN- FROM NORMALLY CLOSED MICROSWITCH TERM TO ON RELAY
- T. COLOR WHITE- FROM COIL ON RELAY TO SPLICE WITH WHITE
- U. COLOR BLACK- FROM COIL ON RELAY TO SPLICE WITH BLACK
- V. COLOR BLACK- FROM COIL ON RELAY TO SPLICE WITH BLACK



VIEW LKG UP AT BOTTOM OF CABINET



MATERIAL

DR. J.B. CK. DATE 4-30-95

LIMITS UNLESS OTHERWISE NOTED

FRACTIONS ± 1/64 DECIMALS ± .005

FINISH

STAR MFG. INTERNATIONAL, INC.

9325 OLIVE BOULEVARD ST. LOUIS, MO 63132

MODEL NO. HFD-3

PART NO. SK1367

TITLE WIRE SCHEMATIC

CHANGES	LTR	DATE	CHANGE	DR
-		4-30-95	RELEASED FOR PRODUCTION	JB
A		9-11-95	REVISED TO ADD BOTTOM VIEW AND TO CLARIFY WIRING	JB

3

2

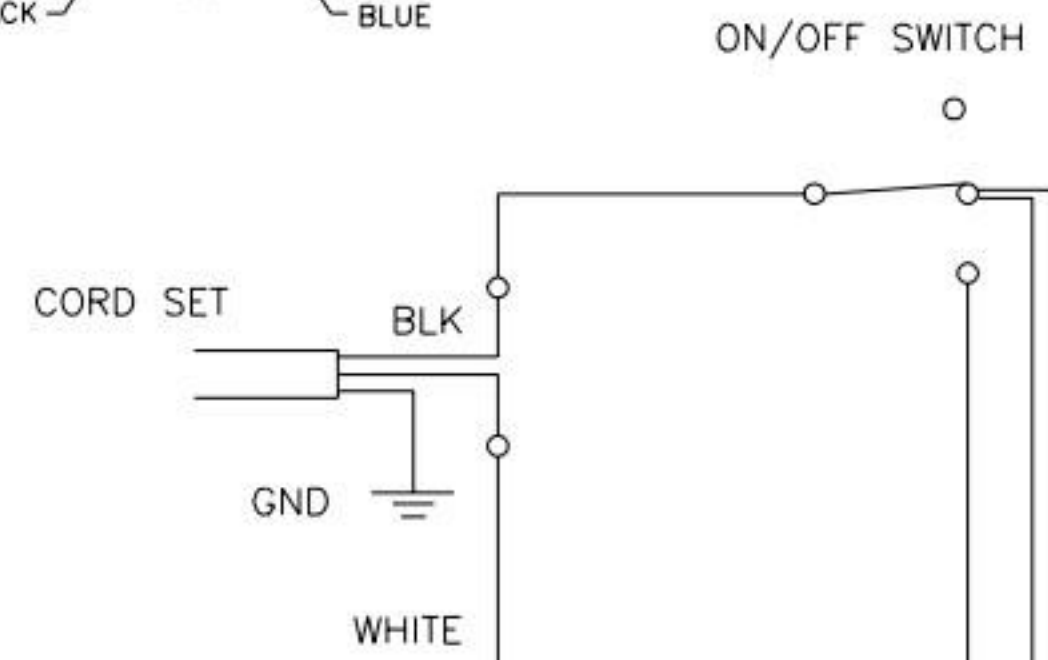
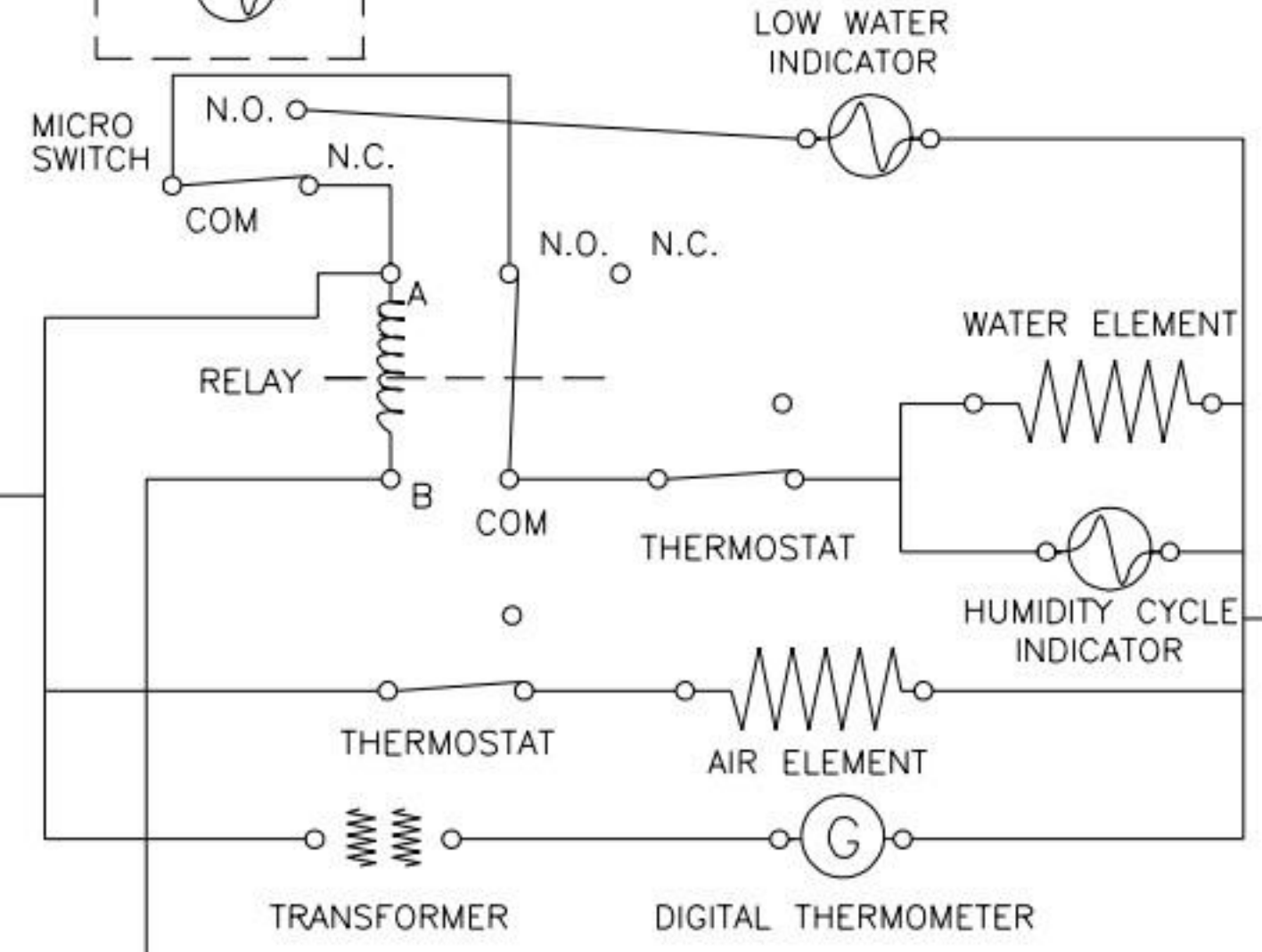
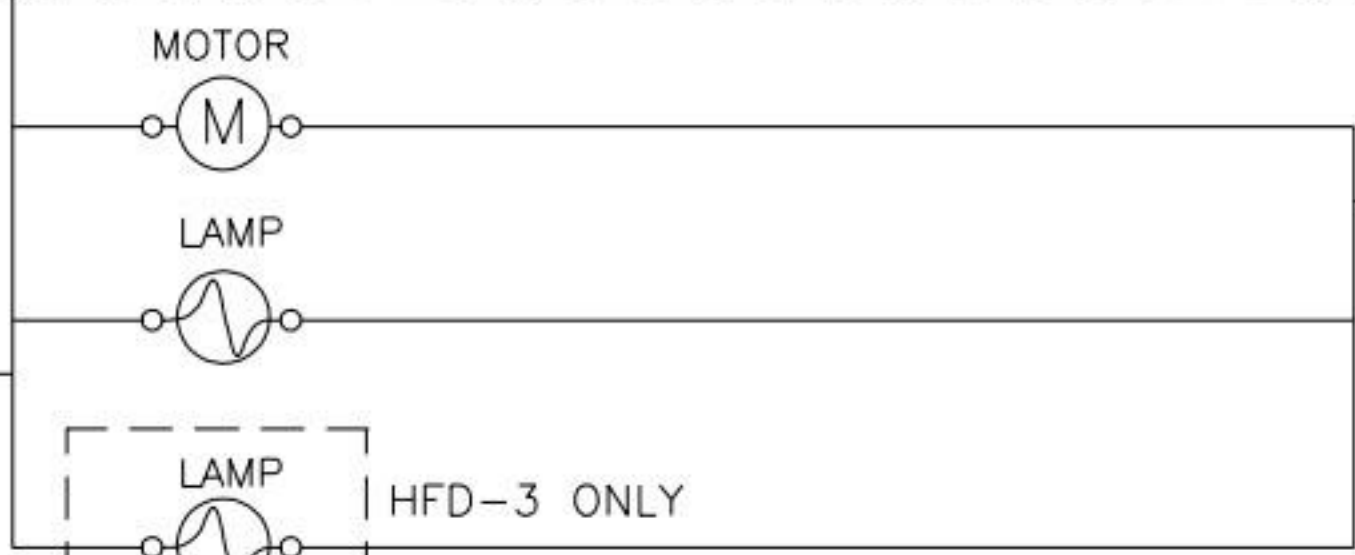
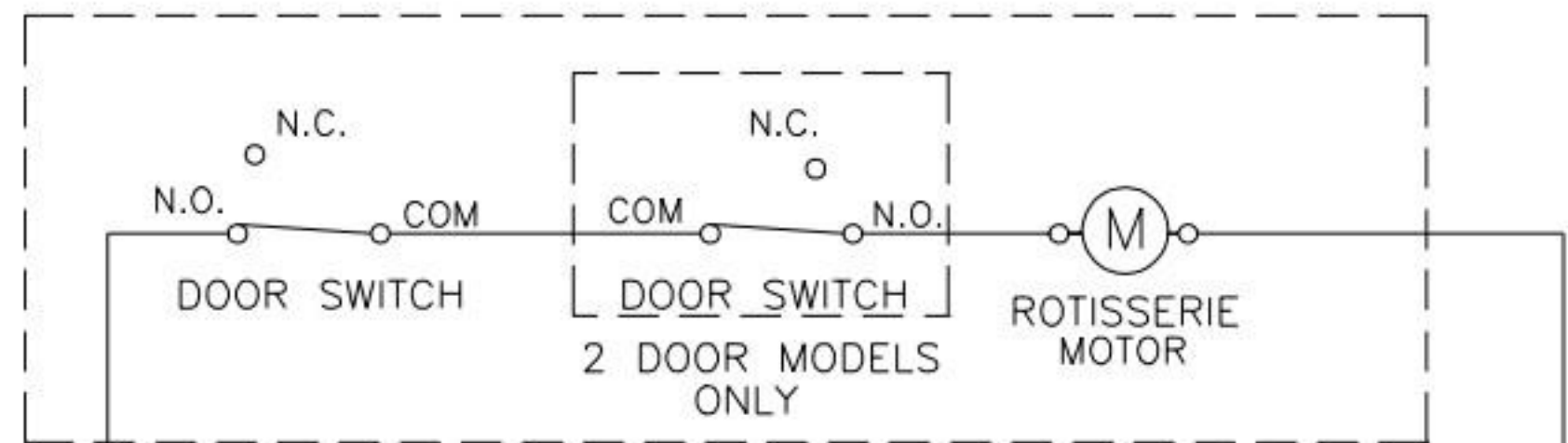
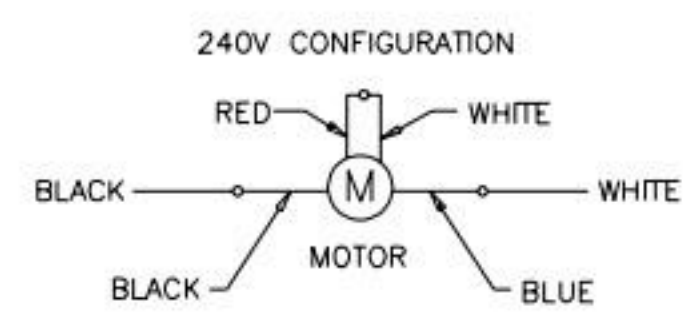
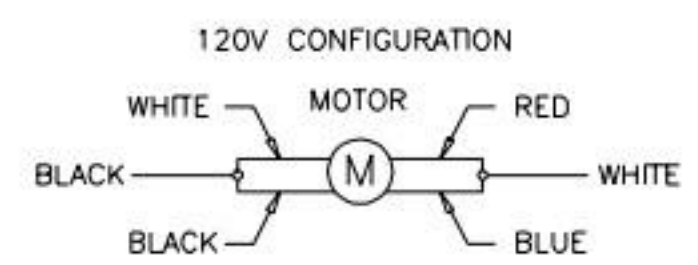
1

MATERIAL
 DR. JB CK. DATE 4-11-95
 LIMITS UNLESS OTHERWISE NOTED
 FRACTIONS ± 1/64 DECIMALS ± .005

FINISH
 STAR MFG. INTERNATIONAL, INC.
 9325 OLIVE BOULEVARD ST. LOUIS, MO 63132

MODEL NO. HFD-2,-3
 PART NO. SK1391
 TITLE WIRE DIAGRAM
 CHANGES LTR DATE CHANGE
 - 9-15-95 RELEASED FOR PRODUCTION
 A 2-12-97 ADDED WIRING SCHEMATIC

SWITCHES AND ROTATING MOTOR NOT ON FLAT RACK MODELS



(A)

A

B

B

A

3

2

1

3

2

1