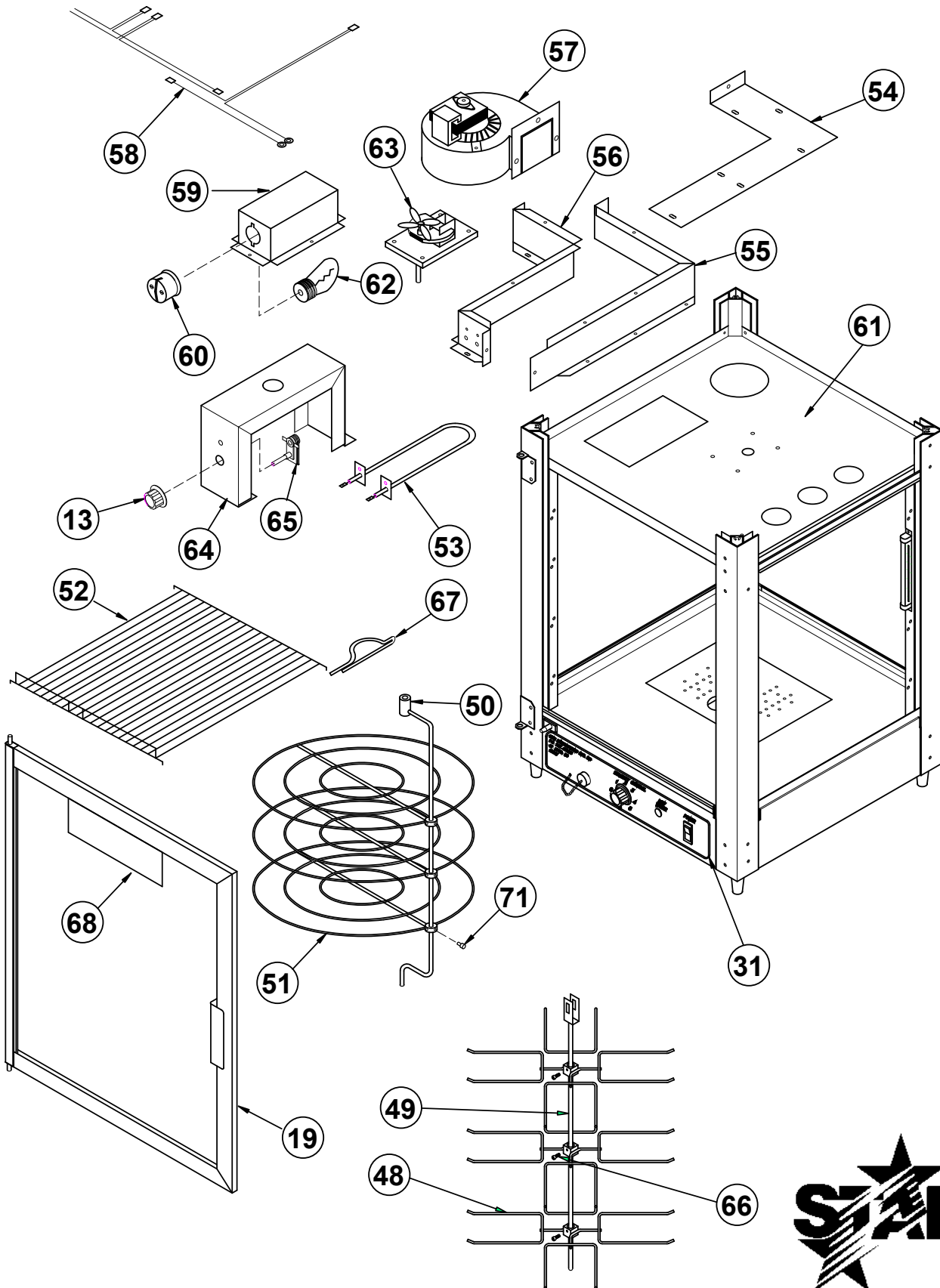


THIS DRAWING CONTAINS INFORMATION CONFIDENTIAL TO STAR MFG. INT'L. INC.  
 NO REPRODUCTION OR DISCLOSURE OF ITS CONTENTS IS PERMITTED.



**MODEL: HFD-1 120V/240V**

**STAR MANUFACTURING INTERNATIONAL INC.**  
 SK1450 Rev E 06/10/2010



THIS DRAWING CONTAINS INFORMATION CONFIDENTIAL TO STAR MFG. INT'L. INC.  
NO REPRODUCTION OR DISCLOSURE OF ITS CONTENTS IS PERMITTED.

**MODEL: HFD-1**

**STAR MANUFACTURING INTERNATIONAL INC.**

SK1451

Rev D

03/22/2004

# PARTS LIST

August 14, 2013 Rev. M

Model HFD-1 Humidified Cabinet				
Fig No.	Part No.	Qty	Description	Application
1	C3-G8021	1	CORD ASSEMBLY	120V
	C3-39221			240V
2	2K-Y2968	1	BUSHING - STRAIN RELIEF	
3	2I-Z0057	4	FOOT	
4	D5-Z0345	6	GLASS CHANNEL VERTICAL	
5	D5-Z0346	6	GLASS CHANNEL HORIZONTAL	
6	2Q-Z0581	3	GLASS - SIDE	
7	2K-1139	1	BUSHING - HEYCO	
8	D5-Z0321	1	BOTTOM	
9	2E-Y9148	1	RELAY	120V
	2E-Z0625			240V
10	2E-Z0802	1	WIRE HARNESS - BOTTOM	
11	2N-Z3435	1	ELEMENT - ASSEMBLY	120V
	2N-Z4149			240V
12	2T-Z4250	1	THERMOSTAT - BOTTOM	
13	2R-Y8261	2	KNOB	
14	D5-Z0896	1	BODY - RESERVOIR	
15	D5-220093	1	FLOAT-SWITCH ASSEMBLY	
16	D5-220113	1	TRAY - ASSEMBLY	
17	D5-220072	1	PAN - ASSEMBLY	
18	D5-Z3679	2	DOOR - LATCH	manufactured after 7/2000
	D5-Z0661	1	DOOR - LATCH	manufactured before 7/2000
19	D5-220096-PS	1	HFD-1 DOOR SERVICE KIT	manufactured before 7/2000
	D5-220094		DOOR ASSEMBLY HFD-1	manufactured after 7/2000
20	2I-Z0877	2	GLASS CHANNEL - HORIZONTAL DOOR	
21	2I-Z0876	1	GLASS CHANNEL - VERTICAL DOOR	
22	2Q-Z0759	1	GLASS DOOR	
23	2I-Z0758	1	HINGE - DOOR	
24	2A-Y8068	2	PIN - DOWEL	
25	A3-35219	1	CAP AND CHAIN	
26	2I-9772	1	GASKET	
27	2E-Y9700	1	SWITCH - INTERRUPT	
28	2J-Y6689	1	PILOT LIGHT	120V
	2J-Z2329			240V
29	PS-220117	1	SWITCH KIT SERVICE KIT	(manufactured before 4/2010)
	2E-Z0091		SWITCH	(manufactured after 4/2010)
30	2I-Z0878	1	DOOR - GASKET	
31	2M-Z0880	1	BOTTOM - LABEL	
32	D5-Z0543	1	HINGE - BRACKET (TOP)	
33	D5-Z0542	1	HINGE - BRACKET (BOTTOM)	

**IMPORTANT: WHEN ORDERING, SPECIFY VOLTAGE OR TYPE GAS DESIRED  
INCLUDE MODEL AND SERIAL NUMBER**

PAGE 1  
OF 2

Some items are included for illustrative purposes only and in certain instances may not be available.



**Star Manufacturing International, Inc.**

# PARTS LIST

August 14, 2013 Rev. M

Model HFD-1 Humidified Cabinet				
Fig No.	Part No.	Qty	Description	Application
34	D5-Z0320	1	CONTROL PANEL	
35	D5-Z0319	3	ANGLE - BOTTOM	
36	D5-Z0324	2	CORNER - POST	
37	D5-Z0323	1	CORNER - POST RIGHT DOOR	
38	D5-Z0322	1	CORNER - POST LEFT DOOR	
39	2T-Z0613	1	THERMOMETER	
40	D5-Z0318	2	FILLER - POST	
41	D5-Z0341	1	RACK ANGLE - LEFT DOOR	
42	D5-Z0342	1	RACK ANGLE - RIGHT DOOR	
43	D5-Z0344	1	RACK ANGLE - RIGHT	
44	D5-Z0343	1	RACK ANGLE - LEFT	
45	D5-Z0605	1	TOP COVER	
46	2M-Z0879	1	TOP LABEL	
48	2B-Z6899	3	HOLDER ASSEMBLY	
49	D5-Z20079	1	PRETZEL SHAFT	
50	2B-Z9143	1	ASSEMBLY - PIZZA SHAFT	
51	2B-Z4174	3	SHELF - PIZZA RACK	
52	2B-Z0340	3	SHELF	
53	2N-Z0337	1	ELEMENT - AIR 120V	
53	2N-Z0793	1	ELEMENT - AIR 240V	
54	D5-Z0590	1	COVER - DUCT	
55	D5-Z0592	1	BACK - DUCT	
56	D5-Z0591	1	FRONT - DUCT	
57	2U-Z5583	1	BLOWER - ASSEMBLY	
58	2E-Z0406	1	HARNESS - TOP	
59	D5-Z20081	1	REFLECTOR - ASSEMBLY	
60	2E-Y9184	1	SOCKET	
61	D5-Z0177	1	TOP LINER	
62	2S-Y9118	1	LAMP 100W	120V
	2S-Z0630			240V
63	D5-Z17319	1	MOTOR - ROTISSERIE, Fan Not Included	120V
	2U-Z3642			240V
--	2U-Z9811	1	FAN BLADE FOR MOTOR	
64	D5-Z4170	1	THERMOSTAT BRACKET	
65	2T-Z0449	1	THERMOSTAT - TOP	
66	--	3	SOCKET HEAD CAP SCREW (SUPPLIED WITH ITEM 48)	
67	2C-Z1156	1	COTTER - PIN	
68	2M-Z0894	1	DOOR DECAL	
69	2I-Z1013	1	GASKET - PAN	
71	2C-Z0546	6	SCREW 3/16" ALLEN HEAD	
72	2M-Z0894	1	DOOR DECAL, "FRESH & FAST"	

**IMPORTANT: WHEN ORDERING, SPECIFY VOLTAGE OR TYPE GAS DESIRED  
INCLUDE MODEL AND SERIAL NUMBER**

PAGE 2  
OF 2

Some items are included for illustrative purposes only and in certain instances may not be available.



**Star Manufacturing International, Inc.**