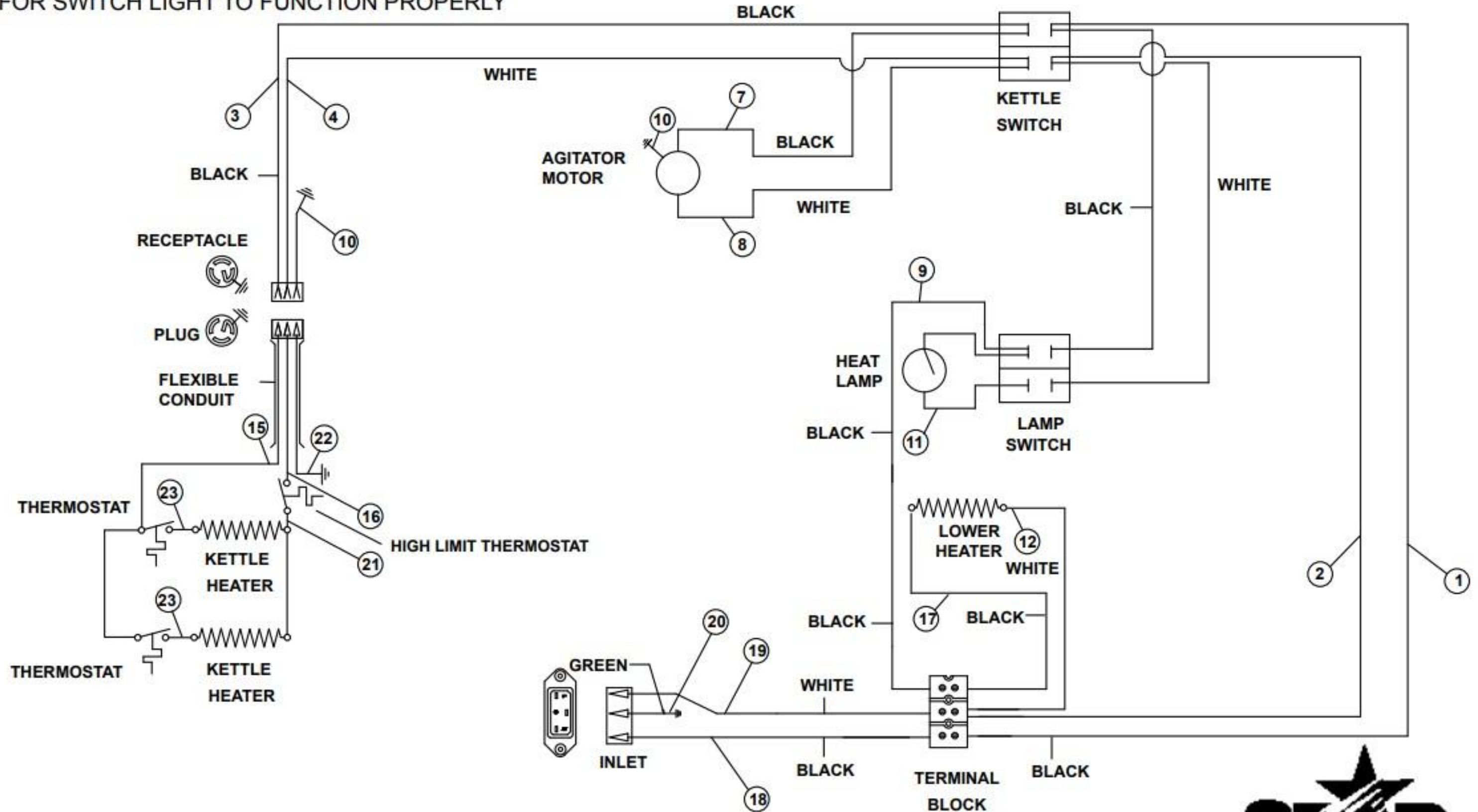
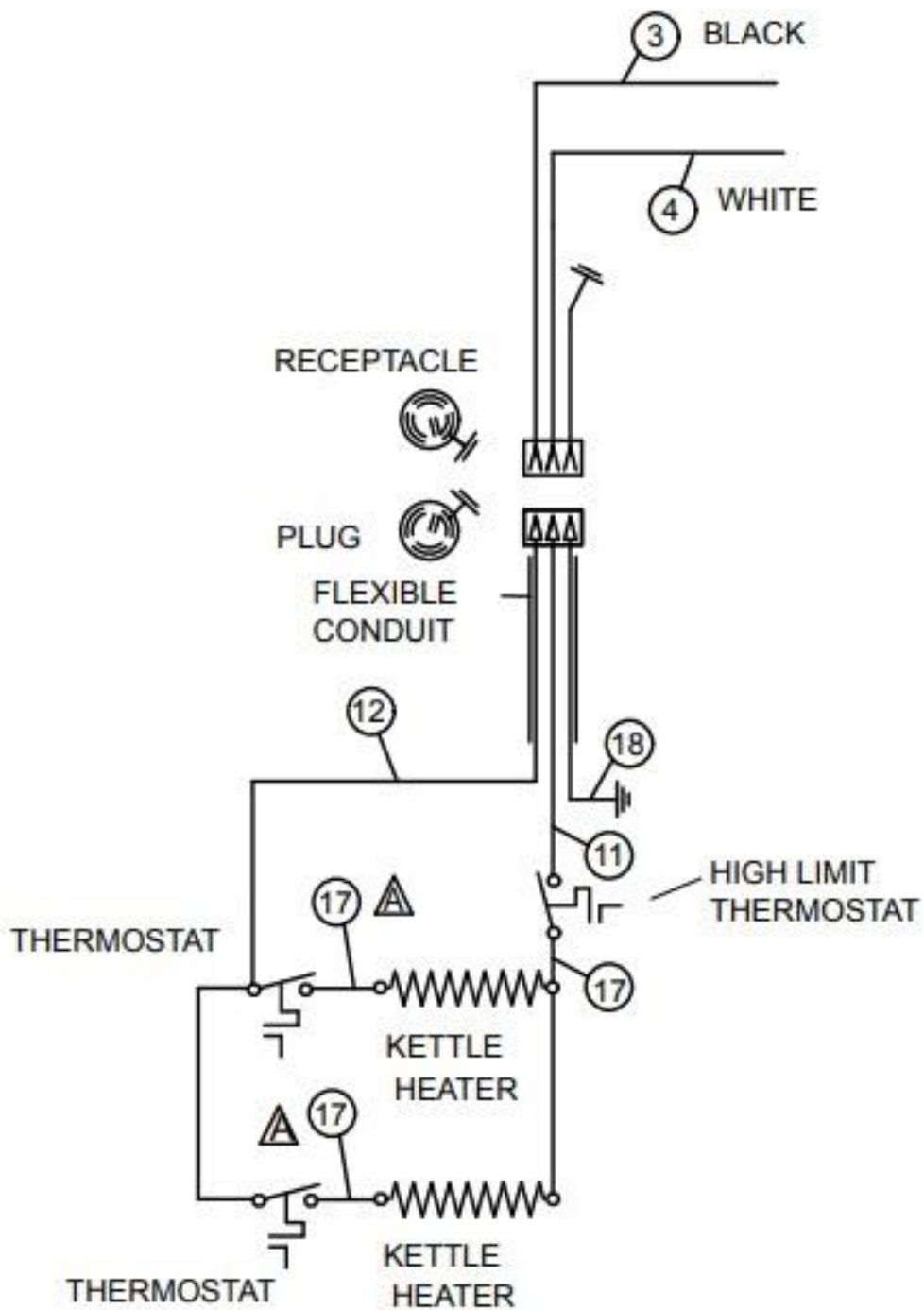
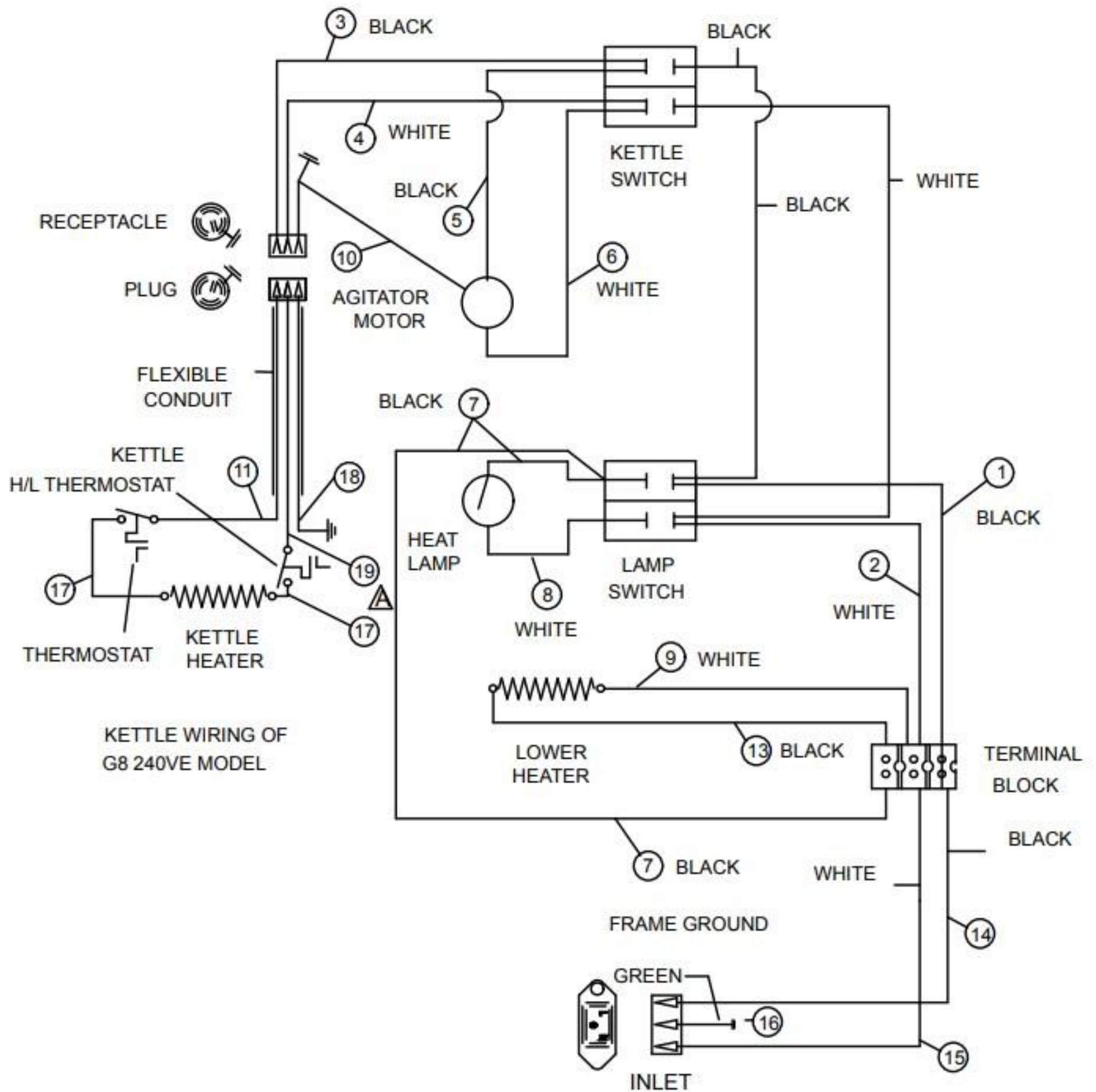


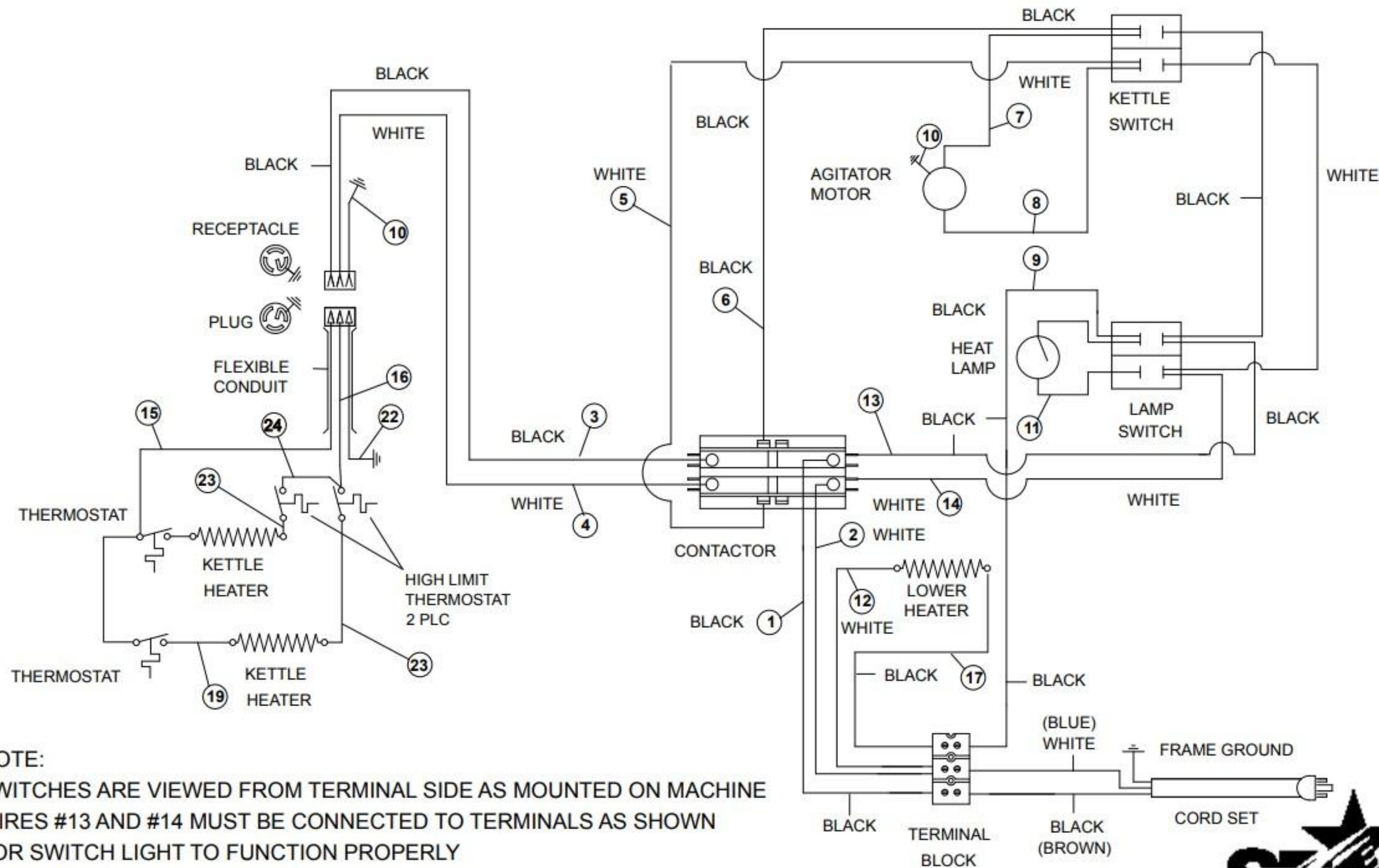
NOTE:

SWITCHES ARE VIEWED FROM TERMINAL SIDE AS MOUNTED ON MACHINE
WIRES #13 AND #14 MUST BE CONNECTED TO TERMINALS AS SHOWN
FOR SWITCH LIGHT TO FUNCTION PROPERLY









NOTE:
 SWITCHES ARE VIEWED FROM TERMINAL SIDE AS MOUNTED ON MACHINE
 WIRES #13 AND #14 MUST BE CONNECTED TO TERMINALS AS SHOWN
 FOR SWITCH LIGHT TO FUNCTION PROPERLY



