

Galaxy[®] **POPCORN POPPERS**

MODELS
G8, G12, G14, G18



G8

Installation and Operation Instructions

2M-Y8351 Rev. P 2/29/2013



SAFETY SYMBOL



These symbols are intended to alert the user to the presence of important operating and maintenance instructions in the manual accompanying the appliance.

RETAIN THIS MANUAL FOR FUTURE REFERENCE NOTICE

Using any part other than genuine Star factory supplied parts relieves the manufacturer of all liability.

Star reserves the right to change specifications and product design without notice. Such revisions do not entitle the buyer to corresponding changes, improvements, additions or replacements for previously purchased equipment.

Due to periodic changes in designs, methods, procedures, policies and regulations, the specifications contained in this sheet are subject to change without notice. While Star International Holdings Inc., Company exercises good faith efforts to provide information that is accurate, we are not responsible for errors or omissions in information provided or conclusions reached as a result of using the specifications. By using the information provided, the user assumes all risks in connection with such use.

MAINTENANCE AND REPAIRS

Contact your local authorized service agent for service or required maintenance.

Please record the model number, serial number, voltage and purchase date in the area below and have it ready when you call to ensure a faster service.

Model No. _____
Serial No. _____
Voltage _____
Purchase Date _____

Authorized Service Agent Listing

Reference the listing provided with the unit

or

for an updated listing go to:

Website: www.star-mfg.com
E-mail Service@star-mfg.com

Service Help Desk

Business Hours: 8:00 am to 4:30 p.m. Central Standard Time

Telephone: (314) 678-6303

Fax: (314) 781-2714

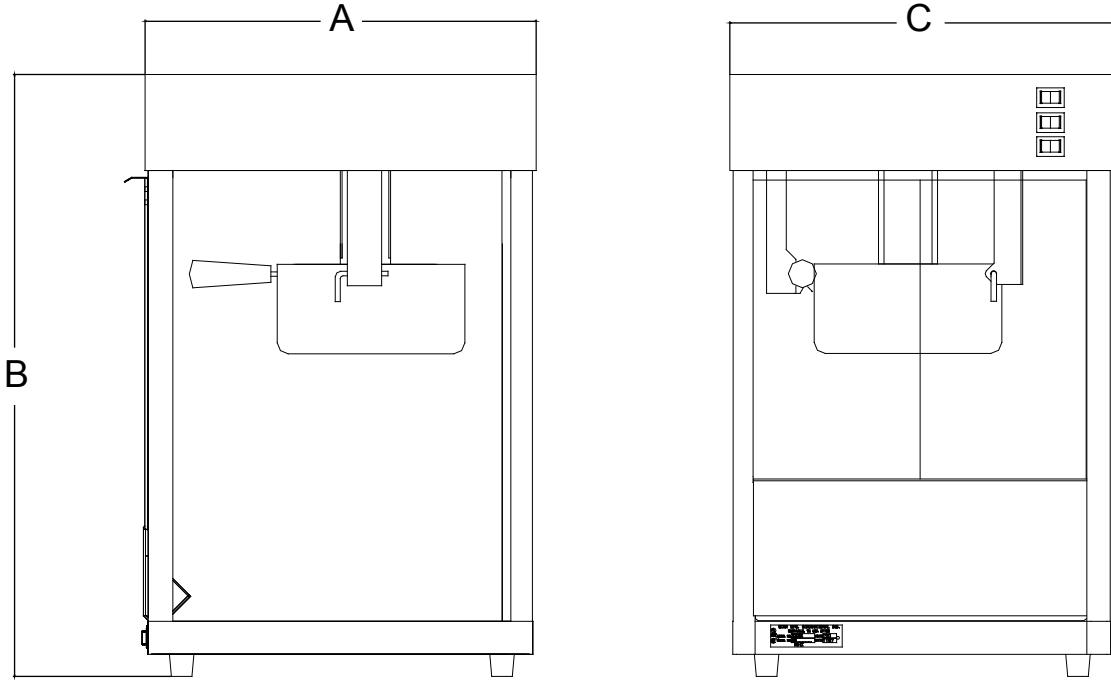
E-mail Parts@star-mfg.com
Service@star-mfg.com
Warranty@star-mfg.com

Website: www.star-mfg.com

Mailing Address: Star International Holdings Inc., Company
10 Sunnen Drive
St. Louis, MO 63143
U.S.A

PRODUCT IDENTIFICATION

Star Manufacturing International Popcorn Machines
 Galaxy Models: G8, G12, G14, and G18



IL2616

SPECIFICATIONS									
Model	Capacity	Voltage	Hz	Watts	Amps	Size			Weight
						Depth	Width	Hight	
G8	8oz (230g)	120V	60	1736	14.4	21.125" (53.6 cm)	21.125" (53.6 cm)	35.5" (90.17 cm)	87 lbs (39.5k)
		230V	50	1596	6.93				
G12	12oz (340g)	120V	60	2136	17.8				
		240V	50/60	2136	8.9				
		230V	50	1962	8.53				
G14	14oz (400g)	120V	60	2416	20.13				
		240V	50/60	2416	10				
		230V	50	2219	9.65				
G18	18oz (510g)	240V	50/60	2816	11.73	24.125" (61.28 cm)	28.125" (71.44 cm)		107 lbs (48.6k)
		230V	50	2587	11.25				

2M-Y8351; Galaxy Popcorn Poppers

GENERAL INSTALLATION DATA



This equipment is designed and sold for commercial use only by personnel trained and experienced in its operation and is not sold for consumer use in and around the home nor for use directly by the general public in food service locations.

Before using your new equipment, read and understand all the instructions & labels associated with the unit prior to putting it into operation. Make sure all people associated with its use understand the units operation & safety before they use the unit.

All shipping containers should be checked for freight damage both visible and concealed. This unit has been tested and carefully packaged to insure delivery of your unit in perfect condition. If equipment is received in damaged condition, either apparent or concealed, a claim must be made with the delivering carrier.

Concealed damage or loss - if damage or loss is not apparent until after equipment is unpacked, a request for inspection of concealed damage must be made with carrier within 15 days. Be certain to retain all contents plus external and internal packaging materials for inspection. The carrier will make an inspection and will supply necessary claim forms.

INSTALLATION

Each machine has been properly wired and inspected at the factory for operation on the voltage and type of current specified on the nameplate.



DO NOT CONNECT TO ANY OTHER TYPE OF CURRENT OR THE MACHINE WILL BE SERIOUSLY DAMAGED.

A receptacle is furnished with the G12 120 volt and G14 120 volt popcorn machines.

We strongly recommend installation by a licensed electrician. The guarantee of this machine as covered by the warranty does not apply if an improper installation has been made.

120 VOLT MACHINES

Machines with a nameplate stamped 120V, are equipped for operation on 120 volt 60 hertz AC single phase service and must be connected to a separate 20 amp circuit with a 3 wire grounded, polarized receptacle. NOTE: The G14 120V machine uses a 30 amp circuit.

240/230 VOLT MACHINES

Machines with a nameplate stamped 240V, are equipped for operation on 240 volt 50/60 hertz AC single phase service. Machines with a nameplate stamped 230V, are equipped for operation on 230 volt 50 hertz AC single phase service. All must be connected to a separate 15 amp circuit with a 3 wire grounded, polarized receptacle.

GENERAL OPERATING INSTRUCTIONS



CAUTION

The motor air exhaust holes located on top of the machine must be clear of any obstructions. **DO NOT COVER THESE AIR VENT HOLES AS SERIOUS DAMAGE WILL RESULT.**

Make sure the corn drawer is in place on the machine before starting the popping cycle.

1. Turn on both switches.
2. For the first batch allow kettle to preheat for 5-7 minutes. No preheat is required after first batch is popped.
3. Add popping oil to kettle. Immediately add popcorn and seasoning salt and close kettle lid. For best results, ratio is 1 part of oil to 4 parts of corn. Use measuring cups provided or proportioned corn/oil packages. *Contact your local Dealer for pre-portioned packages.*
4. Immediately empty kettle when popping stops.
5. Repeat step 3 immediately or turn kettle off.

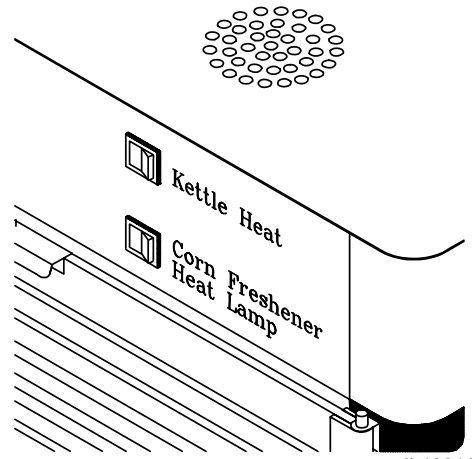
IMPORTANT

Turn kettle heat switch off when not popping!

Never pop corn without oil!

SWITCHES

The corn freshener and heat lamp switch controls the bottom heating element and the top heat lamp. The kettle heat switch controls the kettle heating element & the corn agitator. This motor should be kept running when there is corn in the kettle to prevent scorching or burning.



IL1031A

All of the above switches are in the ON position when they are lighted.

KETTLE

The kettle heating element is thermostatically controlled. Thermostat adjustment should not be necessary since it has been preset at the factory for the correct popping temperature.

Dump the kettle by turning the kettle handle counterclockwise 90° to release its latch and hold the handle in this position while tipping the kettle and handle down (see Figure 1).

Do not leave the kettle heat & corn agitator switch "ON"

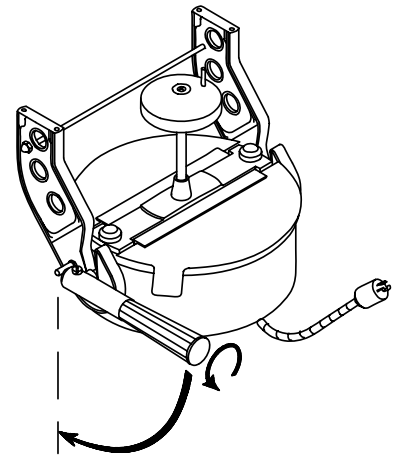


Figure 1

(1) when the machine is not in use.

Do not immerse the kettle in water or allow water to come in contact with the heating element.

Popping corn without oil in the kettle (a dry kettle) is not recommended.

Do not connect the machine to direct current (DC) since it is designed to operate on alternating current (AC) only.



CAUTION

KETTLE MAINTENANCE - CLEANING

After each popping period, wipe the inside and outside of the kettle while it is warm (not hot) with a clean cloth. This is important to keep salt and seasoning from forming a carbonized material which not only lowers popping efficiency but can cause excessive smoking or damage the kettle.

Clean the inside and outside kettle shell including the covers and all attached parts with warm water and mild soap or detergent solution (see Figure 2).

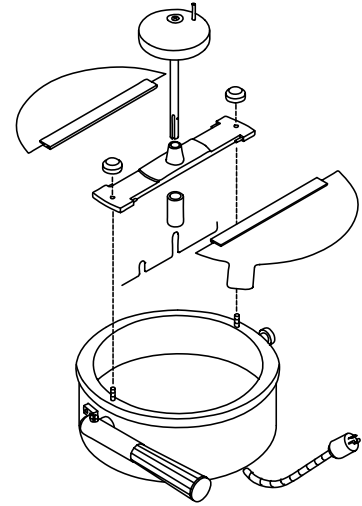


Figure 2



CAUTION

DO NOT IMMERSE THE KETTLE IN WATER OR ALLOW WATER TO ENTER THE KETTLE SHELL SINCE THIS WILL DAMAGE ELECTRICAL PARTS INSIDE THE ASSEMBLY.

To remove the kettle:

Turn off all switches and allow the kettle to cool. Use heat insulating gloves to remove a hot kettle. Disconnect the twist lock plug at the end of the kettle conduit from its receptacle. Turn the kettle handle counterclockwise 90° to release its latch. Hold the handle in this position while tipping the kettle and handle down and pushing up on the bottom of the kettle to remove it from the hooks (see Figure 1).

To replace heat lamp:

Turn off all switches and allow kettle to cool to touch. Remove the (1) screw holding the lamp shield and pull down on lamp shield to remove it from the top liner. Replace the heat lamp with the same type and wattage lamp. Do not install a lamp higher in wattage than indicated on the label located near the lamp socket (see Figure 3).

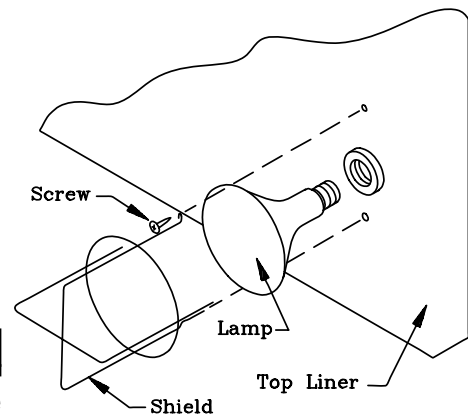


Figure 3

MAINTENANCE AND REPAIRS

Contact the factory, a service representative, or a local service company for service or required maintenance.

THOROUGHLY INSPECT YOUR UNIT ON ARRIVAL

This unit has been tested for proper operation before leaving our plant to insure delivery of your unit in perfect condition. However, there are instances in which the unit may be damaged in transit. In the event you discover any type of damage to your product upon receipt, you must immediately contact the transportation company who delivered the item to you and initiate your claim with same. If this procedure is not followed, it may affect the warranty status of the unit.

LIMITED EQUIPMENT WARRANTY

All workmanship and material in Star products have a one (1) year limited warranty on parts & labor in the United States and Canada. Such warranty is limited to the original purchaser only and shall be effective from the date the equipment is placed in service. Star's obligation under this warranty is limited to the repair of defects without charge, by the factory authorized service agency or one of its sub-agencies. Models that are considered portable (*see below*) should be taken to the closest Star service agency, transportation prepaid.

- > Star will not assume any responsibility for loss of revenue.
- > On all shipments outside the United States and Canada, see International Warranty.
- * The warranty period for the Ultra-Max, Hot Plates, Griddles, Charbroilers is (3) years parts & labor.
- * The warranty period for the Star-Max, Charbroilers, Griddles, Hot Plates, Fryers & Finishing Oven is (2) years parts & labor.
- * The warranty period for the JetStar six (6) ounce & Super JetStar eight (8) ounce series popcorn machines is two (2) years.
- * The warranty period for the Chrome-Max Griddles is five (5) years on the griddle surface. See detailed warranty provided with unit.
- * The warranty period for Teflon/Dura-Tec coatings is one year under normal use and reasonable care. This warranty does not apply if damage occurs to Teflon/Dura-Tec coatings from improper cleaning, maintenance, use of metallic utensils, or abrasive cleaners, abrasive pads, product identifiers and point-of-sale attachments, or any other non-food object that comes in continuous contact with the roller coating. This warranty does not apply to the "non-stick" properties of such materials.
- > This warranty does not apply to "Special Products" but to regular catalog items only. Star's warranty on "Special Products" is six (6) months on parts and ninety (90) days on labor.
- > This warranty does not apply to any item that is disassembled or tampered with for any purpose other than repair by a Star Authorized Service Center or the Service Center's sub-agency.
- > This warranty does not apply if damage occurs from improper installation, misuse, wrong voltage, wrong gas or operated contrary to the Installation and Operating instructions.
- > This warranty is not valid on Conveyor Ovens *unless* a "start-up/check-out" has been performed by a Factory Authorized Technician.

PARTS WARRANTY

Parts that are sold to repair out of warranty equipment are warranted for ninety (90) days. The part only is warranted, the labor to replace the part is **NOT** warranted.

SERVICES NOT COVERED BY WARRANTY

1. Travel time and mileage rendered beyond the 50 mile radius limit
2. Mileage and travel time on portable equipment (*see below*)
3. Labor to replace such items that can be replaced easily during a daily cleaning routine, ie; removable kettles on fryers, knobs, grease drawers on griddles, etc.
4. Installation of equipment
5. Damages due to improper installation
6. Damages from abuse or misuse
7. Operated contrary to the Operating and Installation Instructions
8. Cleaning of equipment
9. Seasoning of griddle plates
10. Voltage conversions
11. Gas conversions
12. Pilot light adjustment
13. Miscellaneous adjustments
14. Thermostat calibration and by-pass adjustment
15. Resetting of circuit breakers or safety controls or reset buttons
16. Replacement of bulbs
17. Replacement of fuses
18. Repair of damage created during transit, delivery, & installation OR created by acts of God

PORTABLE EQUIPMENT

Star will not honor service bills that include travel time and mileage charges for servicing any products considered "Portable" including items listed below. These products should be taken to the Service Agency for repair:

- * The Model 510FD, 510FF Fryer.
- * The Model 526TOA Toaster Oven.
- * The Model J4R, 4 oz. Popcorn Machine.
- * The Model 518CMA & 526CMA Cheese Melter.
- * The Model 12MC & 15MC & 18MCP Hot Food Merchandisers.
- * The Model 12NCPW & 15NCPW Nacho Chip/Popcorn Warmer.
- * All Hot Dog Equipment **except Roller Grills & Drawer Bun Warmers.**
- * All Nacho Cheese Warmers **except Model 11WLA Series Nacho Cheese Warmer.**
- * All Condiment Dispensers **except the Model HPD & SPD Series Dispenser.**
- * All Specialty Food Warmers **except Model 130R, 11RW Series, and 11WSA Series.**
- * All QCS/RCS Series Toasters **except Model QCS3 & RCS3 Series.**
- * All Fast Steamer Models **except Direct Connect Series.**

ALL:

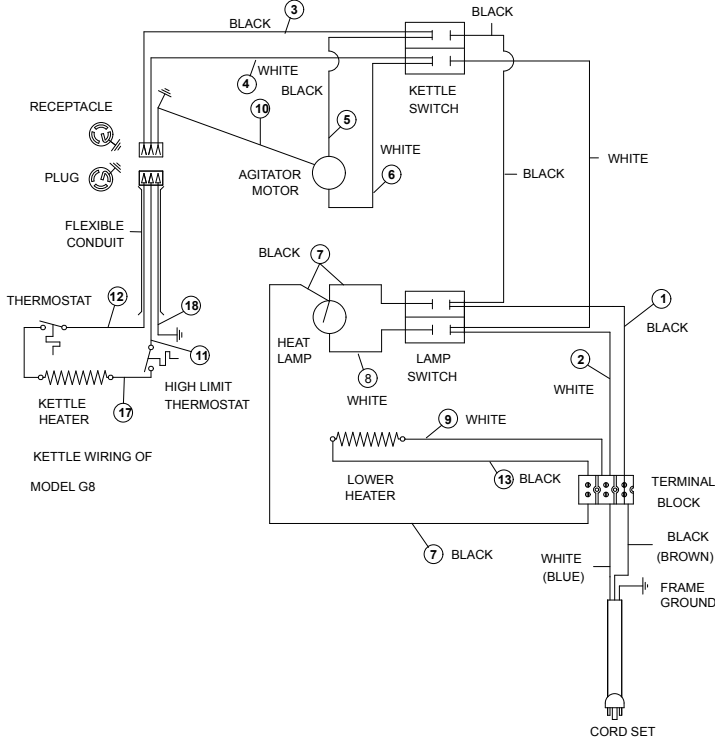
- * Pop-Up Toasters
- * Butter Dispensers
- * Pretzel Merchandisers
(Model 16PD-A Only)
- * Pastry Display Cabinets
- * Nacho Chip Merchandisers
- * Accessories of any kind
- * Sneeze Guards
- * Pizza Ovens
(Model PO12 Only)
- * Heat Lamps
- * Pumps-Manual

The foregoing warranty is in lieu of any and all other warranties expressed or implied and constitutes the entire warranty.

FOR ASSISTANCE

Should you need any assistance regarding the Operation or Maintenance of any Star equipment; write, phone, fax or email our Service Department. In all correspondence mention the Model number and the Serial number of your unit, and the voltage or type of gas you are using.

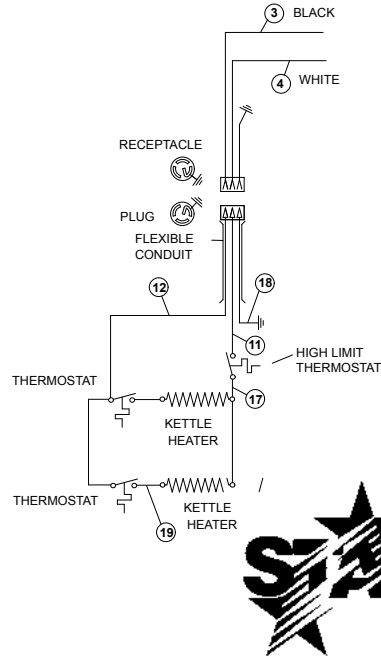
NOTE:
SWITCHES ARE VIEWED FROM TERMINAL SIDE AS MOUNTED ON THE MACHINE
WIRES #1 AND #2 MUST BE CONNECTED TO SWITCH TERMINALS AS SHOWN FOR
SWITCH LIGHT TO FUNCTION PROPERLY



MODEL: G8 AND G12

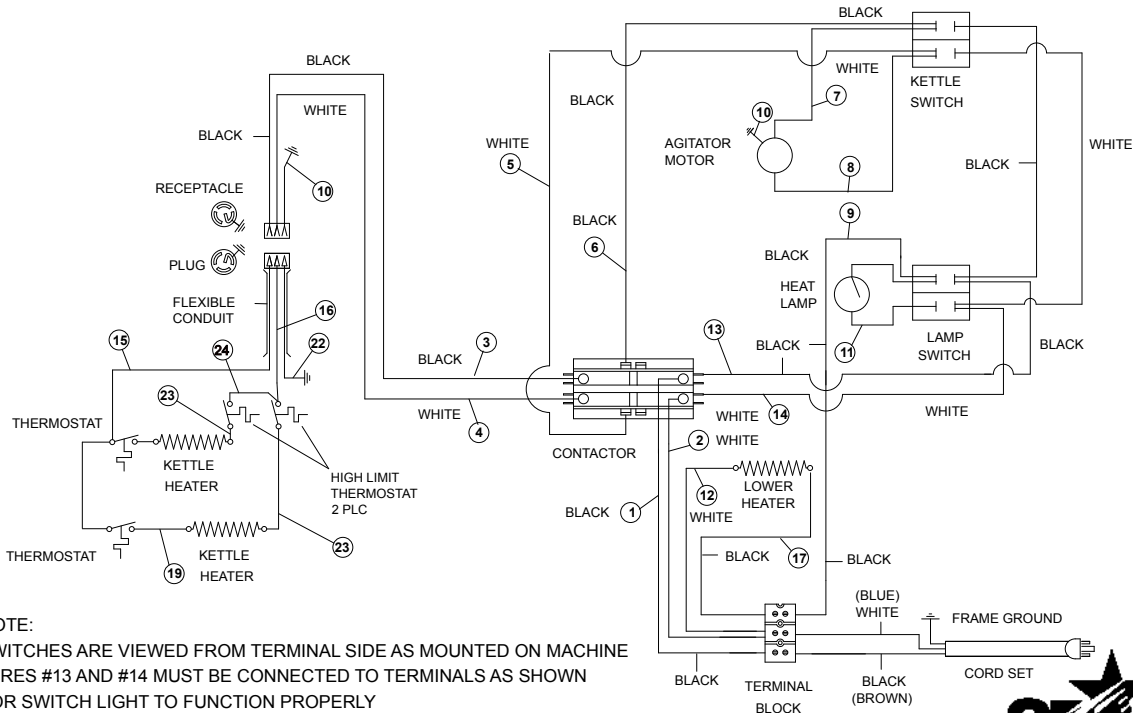
THIS DRAWING CONTAINS INFORMATION CONFIDENTIAL TO STAR MFG. INTL. INC.
NO REPRODUCTION OR DISCLOSURE OF ITS CONTENTS IS PERMITTED.

NOTE:
USE THIS DIAGRAM FOR WIRING OF MODEL G12 KETTLE ONLY
ALL OTHER WIRING IS THE SAME AS SHOWN FOR MODELS G8



STAR MANUFACTURING INTERNATIONAL INC.

SK1142 Rev F 2/08/2007



NOTE:
SWITCHES ARE VIEWED FROM TERMINAL SIDE AS MOUNTED ON MACHINE
WIRES #13 AND #14 MUST BE CONNECTED TO TERMINALS AS SHOWN
FOR SWITCH LIGHT TO FUNCTION PROPERLY

MODEL: G14 AND G18

THIS DRAWING CONTAINS INFORMATION CONFIDENTIAL TO STAR MFG. INTL. INC.
NO REPRODUCTION OR DISCLOSURE OF ITS CONTENTS IS PERMITTED.

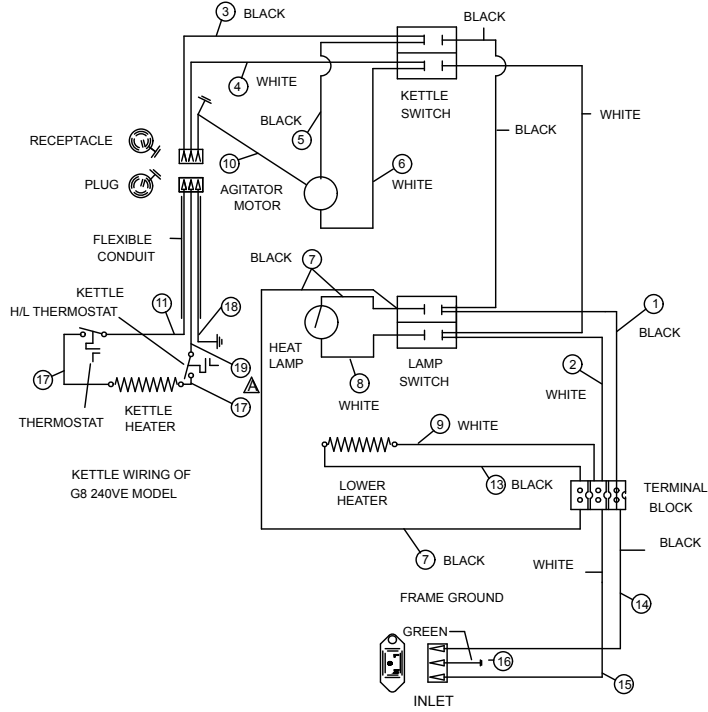
2M-Y8351; Galaxy Popcorn Poppers



STAR MANUFACTURING INTERNATIONAL INC.

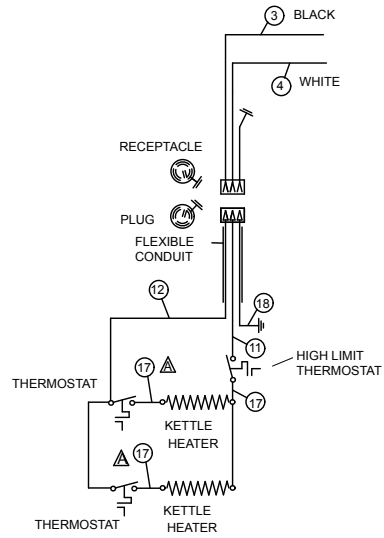
SK1152 Rev E 1/26/2007

NOTE:
SWITCHES ARE VIEWED FROM TERMINAL SIDE AS MOUNTED ON THE MACHINE
WIRES #1 AND #2 MUST BE CONNECTED TO SWITCH TERMINALS AS SHOWN FOR
SWITCH LIGHT TO FUNCTION PROPERLY



MODEL: G8 AND G12, 230CE

THIS DRAWING CONTAINS INFORMATION CONFIDENTIAL TO STAR MFG. INTL. INC.
NO REPRODUCTION OR DISCLOSURE OF ITS CONTENTS IS PERMITTED.



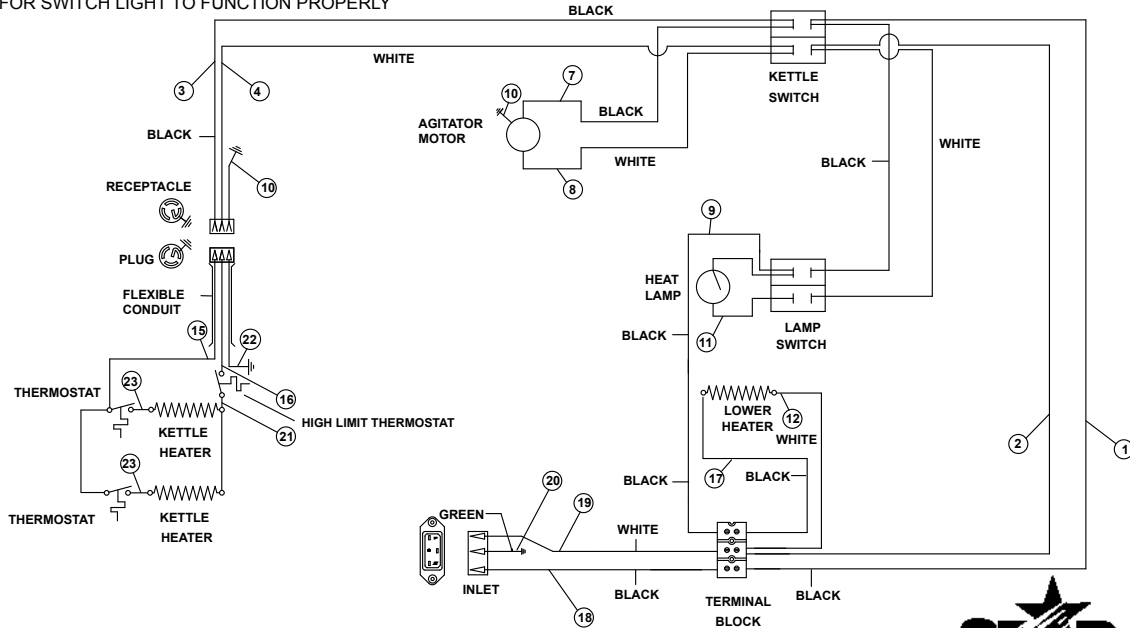
NOTE:
USE THIS DIAGRAM FOR WIRING OF MODEL G12 240VE KETTLE ONLY
ALL OTHER WIRING IS THE SAME AS SHOWN FOR MODEL G8



STAR MANUFACTURING INTERNATIONAL INC.

SK1316 Rev B 11/04/2005

NOTE:
SWITCHES ARE VIEWED FROM TERMINAL SIDE AS MOUNTED ON MACHINE
WIRES #13 AND #14 MUST BE CONNECTED TO TERMINALS AS SHOWN
FOR SWITCH LIGHT TO FUNCTION PROPERLY



MODEL: G14 AND G18, 230CE

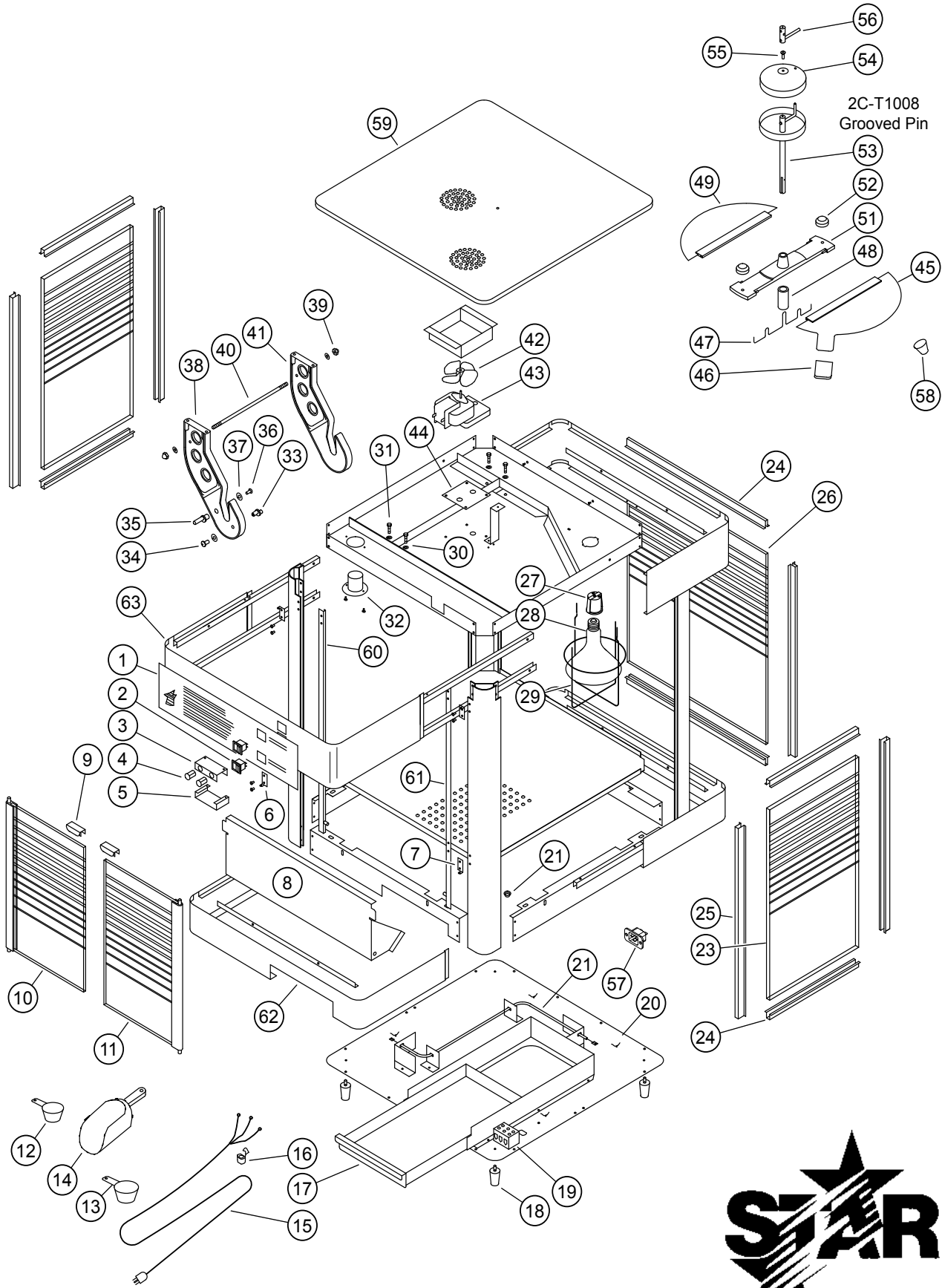
THIS DRAWING CONTAINS INFORMATION CONFIDENTIAL TO STAR MFG. INTL. INC.
NO REPRODUCTION OR DISCLOSURE OF ITS CONTENTS IS PERMITTED.



STAR MANUFACTURING INTERNATIONAL INC.

SK1318 Rev A 11/04/2005

2M-Y8351; Galaxy Popcorn Poppers



2C-T1008
Grooved Pin

SOME ITEMS ARE INCLUDED FOR ILLUSTRATIVE PURPOSES ONLY AND IN CERTAIN INSTANCES MAY NOT BE AVAILABLE

MODEL - G8-Y/G12-Y, 8 / 12 oz. 120/240V/230CE



STAR MANUFACTURING INTERNATIONAL, INC.

SK1180 Rev. G 6/11/14

2M-Y8351; Galaxy Popcorn Poppers

PARTS LIST

February 28, 2013, Rev. O

MODEL: G8-Y, G12-Y 120V, 240V, 230CE				
Fig No	Part No	Qty	Description	Application
-	2M-Y8602	1	LABEL STRIPE YELLOW/BLUE (Not Shown)	G12
-	2M-Y8420	1	LABEL STRIPE BLACK (Not Shown)	G12
1	2M-Z9183	1	LABEL FRONT 2 SWITCH UNITS	2 SWITCH UNITS
	2M-Z0007		LABEL FRONT 3 SWITCH UNITS	3 SWITCH UNITS
2	2E-Z9310	2	SWITCH (LIGHTED) after serial number G8010126	G8
	2E-Z9310	3	SWITCH (LIGHTED) before serial number G8010126	G8
	2E-Z9310	2	SWITCH (LIGHTED) after serial number G1206539	G12
	2E-Z9310	3	SWITCH (LIGHTED) before serial number G1206539	G12
3	C3-Y7952	1	BRACKET CATCH	
4	2R-Y7844	2	CATCH MAGNETIC	
5	C3-Y7953	1	COVER BRACKET	
6	C3-Y7377	2	BRACKET HINGE LEFT	
7	C3-Y7446	2	BRACKET HINGE RIGHT	
8	C3-Y8187	1	LOWER DOOR	
9	C3-Y7475	2	DOOR PULL ASSEMBLY (INC.IN DOOR ASSYS.)	
10	C3-G8074	1	LEFT DOOR ASSEMBLY	
11	C3-G8073	1	RIGHT DOOR ASSEMBLY	
12	2L-Y8863	1	OIL MEASURE CUP 2 CUP (PLASTIC)	
13	2L-Y8812	1	CORN MEASURE CUP 2 CUP (PLASTIC)	
14	2L-Y4916	1	SCOOP - POPCORN (PLASTIC)	
15	D5-HPW006	1	CORD ASSEMBLY 120V	G8
	C3-G8022		CORD ASSEMBLY 240V	G8 / G12
	C3-G1410		CORD ASSEMBLY 120V	G12
	2E-Z0151		CORD ASSEMBLY 230CE	G8 / G12
16	2K-Y2968	1	BUSHING-STRAIN RELIEF 120V	G8
	2K-Y6764		BUSHING 120V/240V	G12
17	C3-Y7940	1	DRAWER CORN	
18	2A-6904	4	FOOT	
	2P-Y3404		PLUG - FOOT	
	2C-1557		SCREW - FOOT	
19	2E-Y2849	1	BLOCK TERMINAL	
20	2P-6475	4	CLIP-TY	
21	2N-Y8502	1	ELEMENT-80 WATT	120V
	2N-Y8503		ELEMENT-90 WATT	240V/230CE
22	2K-Y1139	1	BUSHING HEYCO	
23	2Q-Y7830	2	GLASS SIDE (TEMPERED) 27-5/16" x 17-3/4"	
24	2I-Y7836	6	CHANNEL GLASS (TOP/BOTTOM)	
25	2I-Y7840	6	CHANNEL GLASS (UPRIGHT)	
26	2Q-Y8606	1	GLASS FRONT; 27-5/16" x 17-3/4"	
27	2E-Y8212	1	SOCKET LAMP	
	2E-Y9433			230CE
28	2S-8337	1	LAMP-150W 120V	G8
	2S-Y2238		LAMP - 250W 120V-120V	G12
	2S-Y8712		LAMP 150W 230CE/240V	G8 / G12
	2S-Y8346		LAMP 250W 240V	G12
29	2B-Y7829	1	LAMP SHIELD	
30	2C-1823	10	WASHER LOCK	
31	2C-9398	4	SCREW	

2M-Y8351: Galaxy Popcorn Poppers



Star International Holdings, Inc. Company

PARTS LIST

February 28, 2013, Rev. O

MODEL: G8-Y, G12-Y 120V, 240V, 230CE				
Fig No	Part No	Qty	Description	Application
32	2E-T1042	1	RECEPTACLE 120V	
	2E-Z0089		OUTLET STRAIGHT BLADE 230CE/240V	
33	2A-Y8645	1	PIN STOPPER-SHORT	
34	2C-Y8646	1	SCREW	
35	2A-Y8032	1	PIN STOPPER	
36	2C-Y8147	1	SCREW	
37	2C-1811	2	BURR	
38	2F-Y8757	1	HANGER REAR	
39	2C-2581	2	NUT	
40	2A-Y8033	1	ROD SPACER	
41	2F-Y8757	1	HANGER FRONT	
42	2R-Y4810	1	FAN	
43	PS-G8101	1	2U-Y8213, MOTOR REPL KIT	120V
	PS-G8102		2U-Y8214, MOTOR REPL KIT	240V/230CE
44	2I-Y6709	1	CUSHION-MOTOR	
45	C3-G8090	1	LID ASSEMBLY LEFT	
46	2R-Y8379	1	TAB-COVER	
47	2B-Y8050	1	BLADE AGITATOR	
48	2A-Y8026	1	COLLAR-AGITATOR	
49	C3-G8091	1	LID ASSEMBLY RIGHT	
51	2F-Z6501	1	CROSS BAR ASSEMBLY	
52	2A-Y7928	2	KNOB	
53	C3-G8033	1	SHAFT ASSEMBLY	
54	2D-Y8044	1	SPINNER TOP	
55	2C-Y8146	1	SCREW	
56	2A-G8032	1	SHAFT-MOTOR ASSEMBLY	
57	2E-Y9253	1	INLET 230CE	
58	2R-Y6763	1	KNOB 230CE	
59	C3-G8044	1	TOP ASSEM G8-AT	G8Y-230CE, G12-Y-230CE, G8-AT, G12-AT
60	C3-G8019	1	LEFT FILLER ASSY	
61	C3-G8020	1	RIGHT FILLER ASSY	
62	C3-Y7954	1	BOTTOM FRONT WRAP	
63	C3-Z9186	1	TOP FRONT WRAP GALAXY, 2 SWITCH UNITS	2 SWITCH UNITS
	C3-Y7956		TOP FRONT WRAP GALAXY, 3 SWITCH UNITS	3 SWITCH UNITS
	C3-G8048	1	TOP ASSEM G8	G8-Y, G12-Y
--	2E-8715	1	FEMALE RECEPTACLE (WALL)	G12-120V ONLY
--	2M-Y3147	1	CAUTION - HOT LABEL	
--	2M-Z0008	1	INSTRUCTION LABEL (CLEAR)	
--	2C-T1008	1	GROOVED PIN 1/8 x 1/2	

2M-Y8351; Galaxy Popcorn Poppers



Star International Holdings, Inc. Company

PARTS LIST

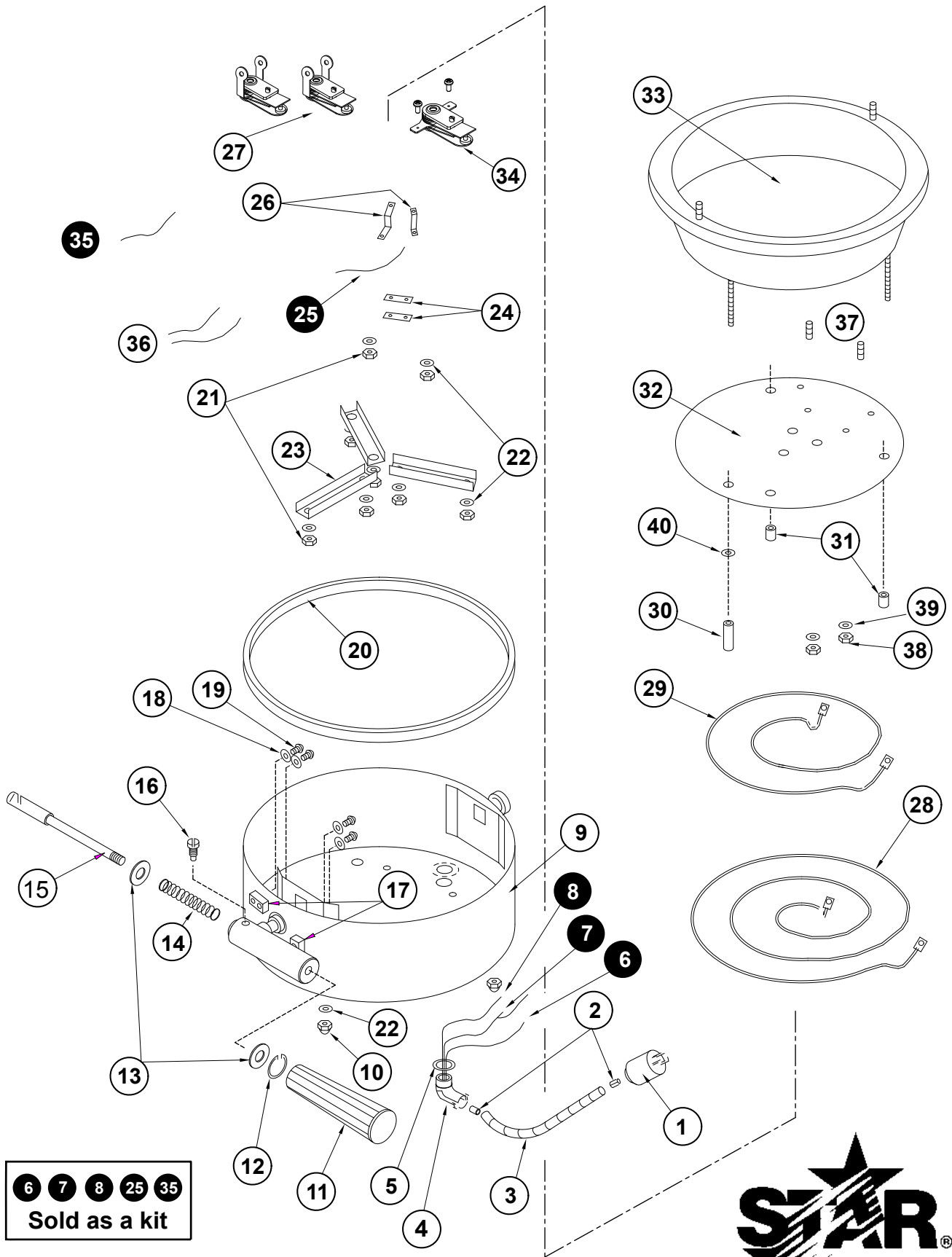
November 22, 2010, Rev. O

MODEL: G8 KETTLE ASSEMBLY				
Fig No	Part No	Qty	Description	Application
-	C3-G8098	1	KETTLE ASSEMBLY COMPLETE	120V
-	C3-G8095	1	KETTLE ASSEMBLY COMPLETE	230CE/240V
1	2P-8354	1	CAP-TWIST LOCK	120V
	2P-Z0017		PLUG , STRAIGHT BLADE	230CE/240V
2	2K-3831	2	BUSHING	
3	2E-Y8063	1	CONDUIT	
4	2E-1177	1	CONNECTOR	
5	2E-Y4967	1	WASHER	
6	2E-Z10325	1	WIRE #11, WIRE KIT ASSEMBLY	120V
	2E-Z10459	2	WIRE #11, WIRE KIT ASSEMBLY	230CE/240V
7	2E-Z10325	1	WIRE #12, WIRE KIT ASSEMBLY	120V
8	2E-Z10325	1	WIRE # 18 (GND), WIRE KIT ASSEMBLY	120V
	C3-G8045		WIRE #18, (GND), WIRE KIT ASSEMBLY	230CE/240V
9	C3-G8030	1	SHELL ASSEMBLY, 8 OZ.	
10	2C-2559	3	NUT-ACORN	
11	2R-Y8892	1	HANDLE	
12	2P-Y8092	1	RETAINING RING	
13	2C-Y9767	2	WASHER	
14	2P-Y8061	1	SPRING	
15	2A-Y8891	1	ROD-CATCH	
16	2A-Y8022	1	SET SCREW	
17	2A-Y8051	2	STOPPER	
18	2C-H8670	4	WASHER-LOCK	
19	2C-1493	4	SCREW	
20	C3-Y7886-1	1	CHANNEL-RUBBER	
21	2C-2560	7	NUT	
22	2C-1827	11	EXT. WASHER	
23	C3-Y8043	3	CLAMP	
24	C3-Y8042	1	THERMOSTAT CLAMP	
25	C3-Z5624	1	LUG GB	120V
	2E-Z10326	1	WIRE #17, WIRE KIT ASSEMBLY	120V
	2E-Z10459	2	WIRE #17, WIRE KIT ASSEMBLY	230CE/240V
26	2T-6213	1	THERMOSTAT 120V (#G8008925 & BELOW)	
	2T-Y7422		THERMOSTAT 120V (#G8008926 & ABOVE)	
	2T-Y9453		THERMOSTAT 230CE/240V (#G8008961 & ABOVE)	
27	2N-Y5592	1	ELEMENT HEATING 1420 WATT	120V
	2N-Y5593		ELEMENT HEATING 1420 WATT	230CE/240V
28	2A-Y8027	1	SPACER-LONG	
29	2A-Y8028	2	SPACER	
30	2F-Z0019	1	PLATE-KETTLE	
31	C3-G8029-PS	1	KETTLE LINER ASSEMBLY, STUDS	
32	PS-G1499	1	HIGH LIMIT THERMOSTAT REPLACEMENT KIT	120V
	2T-Z10182		HIGH LIMIT THERMOSTAT, manufactured after Aug. 2007	120V/230CE/240V
33	2C-Z0006	1	SCREW	
34	2C-2556	1	NUT	
35	2C-1825	1	LOCKWASHER	
NI	C3-Z5637	3/4	SLEEVING 4.5", WIRE	120V/240V

2M-Y8351; Galaxy Popcorn Poppers



Star International Holdings, Inc. Company



MODEL G12
12 OZ. 120/240V/230CE

STAR MANUFACTURING INTERNATIONAL, INC.
SK1183 Rev. D 3/27/07



PARTS LIST

November 22, 2010, Rev. O

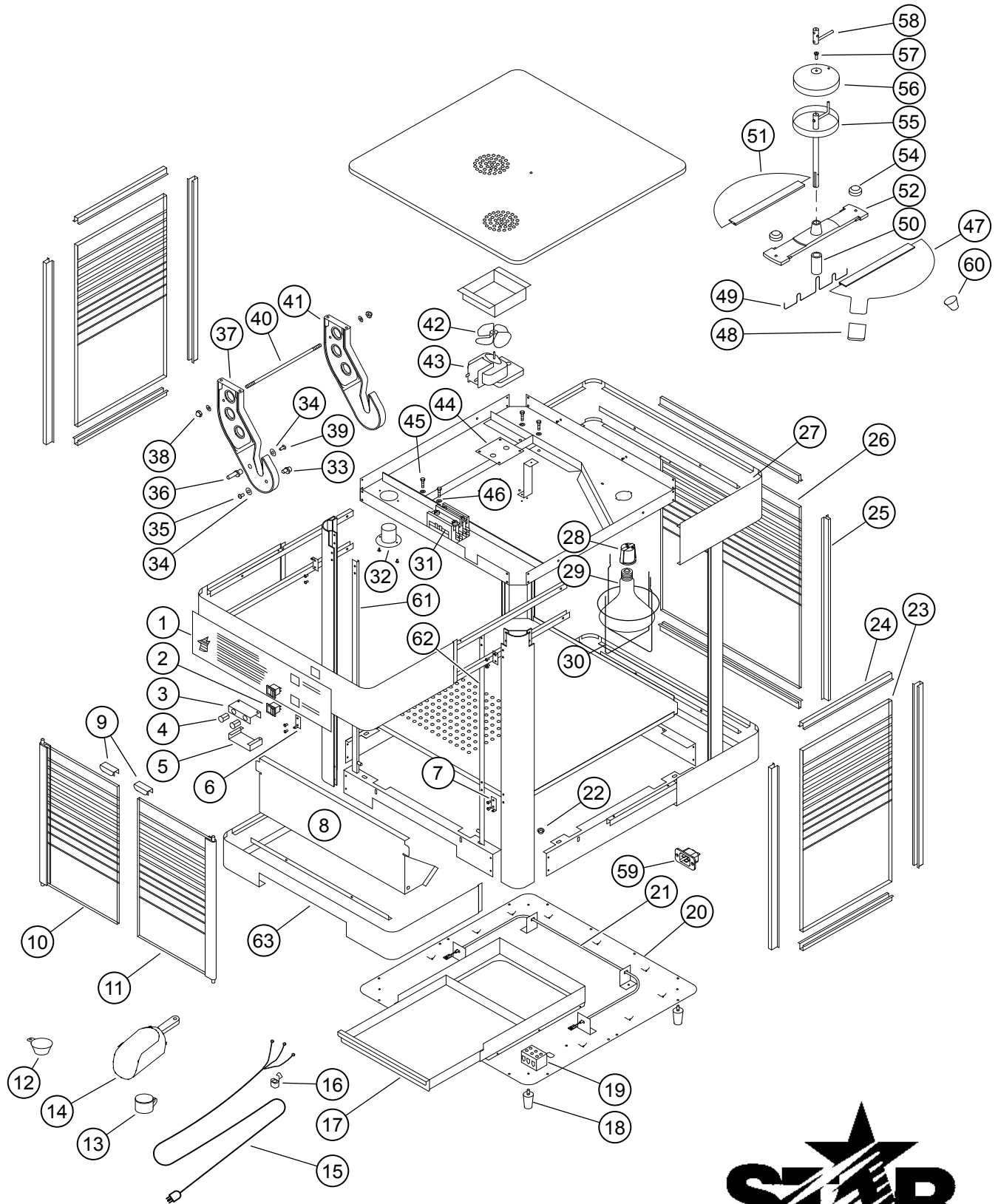
MODEL: G12 KETTLE ASSEMBLY				
Fig No	Part No	Qty	Description	Application
-	C3-G1201	1	KETTLE ASSEMBLY COMPLETE	120V
-	C3-G8096	1	KETTLE ASSEMBLY COMPLETE	230CE/240V
1	2P-8354	1	CAP-TWIST LOCK	120V
	2P-Z0017		PLUG, STRAIGHT BLADE	230CE/240V
2	2K-3831	2	BUSHING	
3	C3-Y8063	1	CONDUIT	
4	2E-1177	1	CONNECTOR	
5	2E-Y4967	1	WASHER	
6	2E-Z10326	1	WIRE # 11, WIRE KIT ASSEMBLY	120V
	2E-Z10460			230CE/240V
7	2E-Z10326	1	WIRE #12, WIRE KIT ASSEMBLY	120V
	2E-Z10460			230CE/240V
8	2E-Z10326	1	WIRE (GND), WIRE KIT ASSEMBLY	120V
	2E-Z10460			230CE/240V
9	C3-G8030	1	SHELL ASSEMBLY, 8 OZ.	
10	2C-2559	3	NUT-ACORN	
11	2R-Y8892	1	HANDLE	
12	2P-Y8092	1	RETAINING RING	
13	2C-Y9767	2	WASHER	
14	2P-Y8061	1	SPRING	
15	2A-Y8891	1	ROD-CATCH	
16	2A-Y8022	1	SET SCREW	
17	2A-Y8051	2	STOPPER	
18	2C-H8670	4	WASHER	
19	2C-1493	4	SCREW	
20	C3-Y7886-1	1	CHANNEL RUBBER	
21	2C-2560	8	NUT	
22	2C-1827	10	EXT. WASHER	
23	C3-Y8043	3	CLAMP	
24	C3-8690	2	JUMPER-SHORT 120V	
25	2E-Z10326	1	WIRE #17, WIRE KIT ASSEMBLY	120V
	2E-Z10460			230CE/240V
26	C3-Z5627	1	JUMPER 120V	120V
	C3-Z5625		LUG G12-120V	
27	2T-6213	2	THERMOSTAT 120V (#G1205193 & BELOW)	
	2T-Y7422		THERMOSTAT 120V (#G1205194 & ABOVE)	
	2T-Y9453		THERMOSTAT 230CE/240V (#G1205218 & ABOVE)	
28	2N-Y5592	1	ELEMENT HEATING 1420 WATT	120V
	2N-Y5593			240V/230CE
29	2N-Y5594	1	ELEMENT HEATING 300 WATT	120V
	2N-Y5595			240V/230CE
30	2A-Y8027	1	SPACER-LONG	
31	2A-Y8028	2	SPACER	
32	2F-Z0019	1	PLATE-KETTLE	
33	C3-G8029-PS	1	KETTLE LINER ASSEMBLY, STUDS	
34	PS-G1499	1	HIGH LIMIT THERMOSTAT REPL. KIT	120V
	2T-Z10182		HIGH LIMIT THERMOSTAT, <i>(manufactured after Aug. 2007)</i>	120V/230CE/240V
35	2E-Z10326	1	WIRE #17, WIRE KIT ASSEMBLY	120V
36	2E-Z10460	1	WIRE #17, WIRE KIT ASSEMBLY	230CE/240V
37	2C-Z0006	2	SCREW	
38	2C-2556	2	NUT	
39	2C-1825	2	LOCKWASHER	
40	2C-1811	2	WASHER 1/4"	
NI	C3-Z5637	4	SLEEVING 4.5", WIRE	120V/240V

2M-Y8351; Galaxy Popcorn Poppers



Star International Holdings, Inc. Company

2M-Y8351; Galaxy Popcorn Poppers



ILLUSTRATIVE PURPOSES ONLY AND IN CERTAIN INSTANCES MAY NOT BE AVAILABLE

MODEL - G14/G18
14 / 18 oz. 120/240V/230CE



STAR MANUFACTURING INTERNATIONAL, INC.
SK1181 Rev. E 2/28/13

PARTS LIST

December 12, 2011, Rev. O

MODEL: G14, G18 120V, 240V, 230CE				
Fig No	Part No	Qty	Description	Application
-	2E-Y8802	1	RECEPTACLE - WALL	120V
-	2M-Y8601	1	LABEL STRIPE YELLOW/BLUE	
-	2M-Y8352	1	LABEL STRIPE BLACK	
1	2M-Z9300	1	LABEL-PANEL	
2	2E-Z9310	2	SWITCH manufacture after serial number G1404363	G14
		3	SWITCH manufacture before serial number G1404363	
		2	SWITCH manufacture after serial number G1801677	G18
		3	SWITCH manufacture before serial number G1801677	
3	C3-Y7952	1	BRACKET CATCH	
4	2R-Y7844	2	CATCH MAGNETIC	
5	C3-Y7953	1	COVER BRACKET	
6	C3-Y7377	2	BRACKET HINGE-LEFT	
7	C3-Y7446	2	BRACKET HINGE-RIGHT	
8	C3-Y8188	1	LOWER DOOR	
9	C3-Y7475	2	DOOR PULL ASSEMBLY	
10	C3-G1476	1	LEFT DOOR ASSEMBLY	
11	C3-G1475	1	RIGHT DOOR ASSEMBLY	
12	2L-Y8863	1	CUP-OIL MEASURE 2 CUP (PLASTIC)	
13	2L-Y8812	1	2 CUP MEASURE (PLASTIC)	
14	2L-Y4916	1	SCOOP-POPCORN (PLASTIC)	
15	C3-G1435	1	CORD SET ASSEMBLY	120V
	C3-G8022			240V
	2E-Z0151			230CE
16	2K-Y2968	1	BUSHING-STRAIN RELIEF	120V/240V
17	C3-Y8428	1	CORN DRAWER	
18	2A-6904	4	FOOT	
NI	2P-Y3404	4	PLUG	
NI	2C-1557	4	SCREW 10 X 24-1 1/2 STL RHP	
19	2E-Y2849	1	BLOCK TERMINAL	
20	2P-6475	9	CLIP-TY	
21	2N-Y8727	1	ELEMENT 80 WATT	120V
	2N-Y8430			240V/230CE
22	2K-Y1139	1	BUSHING HEYCO	
23	2Q-Y7831	2	GLASS - SIDE	
24	2I-Y7838	4	CHANNEL GLASS (SIDE - TOP & BOTTOM)	
25	2I-Y7840	6	CHANNEL GLASS (UPRIGHT)	
26	2Q-Y8605	1	GLASS-FRONT	
27	2I-Y7839	2	CHANNEL GLASS (FRONT - TOP & BOTTOM)	
28	2E-Y8212	1	LAMP SOCKET	
	2E-Y9433		SOCKET LAMP	230CE
29	2S-Y2238	1	LAMP - 250 WATT	120V
	2S-Y8346			240V
	2S-Y8712			230CE
30	2B-Y7829	1	LAMP SHIELD	
31	2E-Y8380	1	CONTACTOR	120V
	2E-Y8381			240V - N/A ON 230CE VERSION

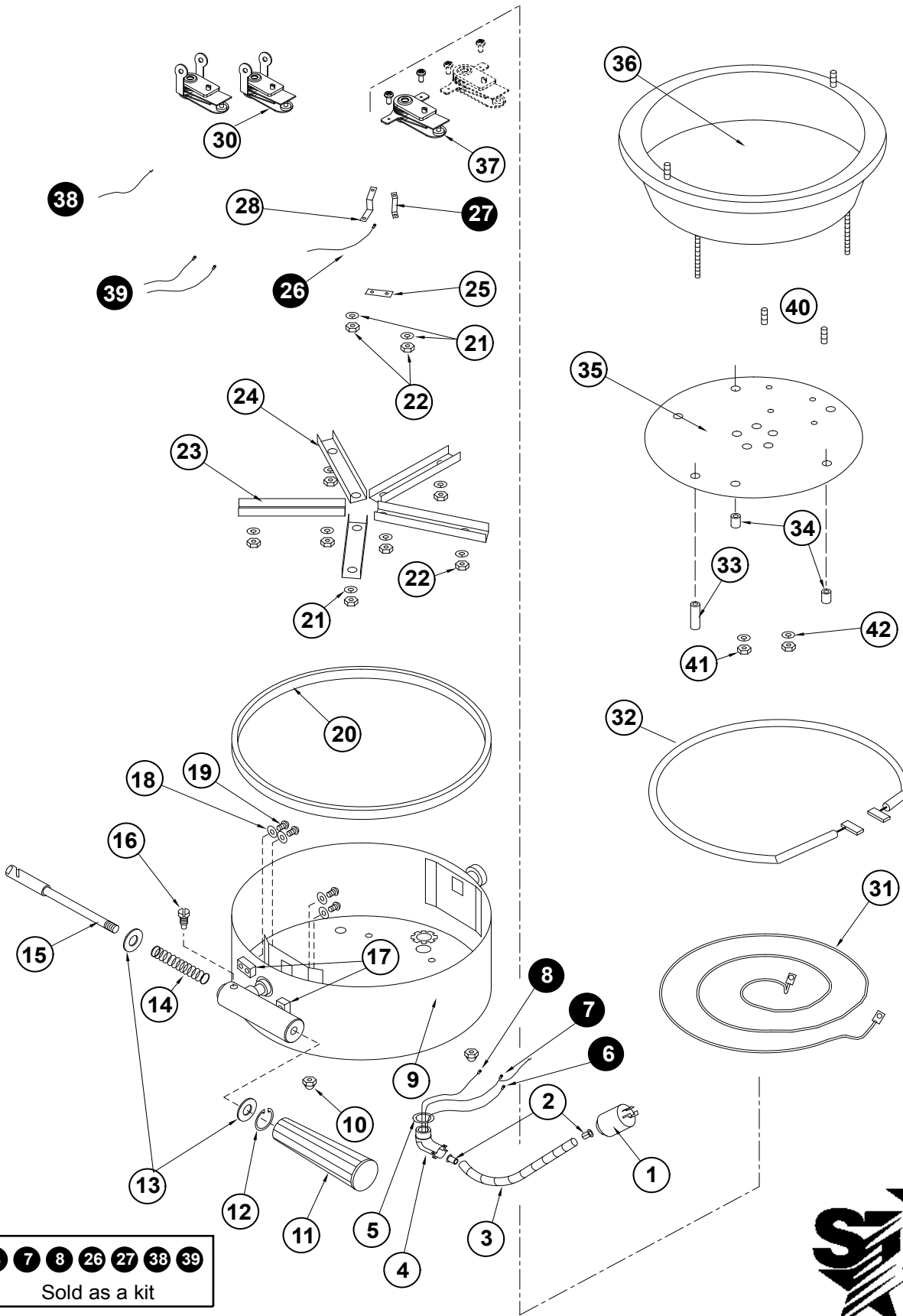
2M-Y8351; Galaxy Popcorn Poppers

PARTS LIST

28, 2013, Rev. O

MODEL: G14, G18 120V, 240V, 230CE				
Fig No	Part No	Qty	Description	Application
32	2E-Y8286	1	OUTLET LOCKING	120V
	2E-Z0089		FLANGED OUTLET, 15A 250V	230CE/240V after 8/1/2002
	2E-Y8290		OUTLET, LOCKING 15A, 250V	240V/ before 8/1/2002
33	2A-Y8645	1	PIN STOPPER - SHORT	
34	2C-1811	2	BURR	
35	2C-Y8646	1	SCREW	
36	2A-Y8032	1	PIN STOPPER	
37	2F-Y8757	1	HANGER REAR	
38	2C-2581	2	NUT	
39	2C-Y8147	1	SCREW	
40	2A-Y8271	1	ROD SPACER	
41	2F-Y8757	1	HANGER FRONT	
42	2R-Y4810	1	FAN	
43	PS-G8101	1	2U-Y8213, MOTOR REPL KIT	120V
	PS-G8102		2U-Y8214, MOTOR REPL KIT	240V/230CE
44	2I-Y6709	1	CUSHION - MOTOR	
45	2C-9398	4	SCREW	
46	2C-1823	6	WASHER	
47	C3-G1487	1	LID ASSEMBLY - RIGHT	
48	2R-Y8379	1	TAB COVER	
49	2B-Y8125	1	BLADE AGITATOR	
50	2A-Y8026	1	COLLAR - AGITATOR	
51	C3-G1488	1	LID ASSEMBLY - LEFT	
52	2F-Z6502	1	CROSS BAR	
54	2A-Y7928	2	KNOB	
55	C3-G1418	1	SHAFT ASSEMBLY	
	2C-T1008		GROOVE PIN	
56	2D-Y8044	1	SPINNER TOP	
57	2C-Y8146	1	SCREW	
58	2A-G1414	1	SHAFT-MOTOR ASSEMBLY	
59	2E-Y9253	1	INLET	230CE ONLY
60	2R-Y6763	1	KNOB	230CE
61	C3-G8019	1	LEFT FILLER ASSY	
62	C3-G8020	1	RIGHT FILLER ASSY	
63	C3-Y7954	1	BOTTOM FRONT WRAP	

2M-Y8351: Galaxy Popcorn Poppers



6 7 8 26 27 38 39
Sold as a kit

MODEL G14 / G18
14 / 18 OZ. 120/240V/230CE

STAR MANUFACTURING INTERNATIONAL, INC.

SK1184

Rev. D

3/29/12



2M-Y8351; Galaxy Popcorn Poppers

PARTS LIST

December 12, 2011, Rev. O

MODEL: G14/18 KETTLE ASSEMBLY				
Fig No	Part No	Qty	Description	Application
-	C3-G1497	1	KETTLE ASSEMBLY COMPLETE 120V	G14
-	C3-G1495		KETTLE ASSEMBLY COMPLETE 230CE/240V	G14
-	C3-G1494		KETTLE ASSEMBLY COMPLETE 230CE/240V	G18
1	2P-Y8285	1	PLUG 20A 125V 120V	
	2P-Z0017		PLUG, STRAIGHT BLADE 230CE/240V	on or after 8/1/2002
	2P-Y8289		PLUG 15A250V NEMA L6-15P, 230CE/240V	before 8/1/2002
2	2K-3831	2	BUSHING	
3	2E-Y8405	1	CONDUIT	
4	2E-1177	1	CONNECTOR	
5	2E-Y4967	1	WASHER	
6	2E-Z10326	1	WIRE (GND) WIRE ASSEMBLY KIT	120V
	2E-Z10461			230CE/240V
7	2E-Z10326	1	WIRE #15, WIRE ASSEMBLY KIT	120V
	2E-Z10461			230CE/240V
8	2E-Z10326	1	WIRE #16, WIRE ASSEMBLY KIT	120V
	2E-Z10461			230CE/240V
9	C3-G1417	1	SHELL ASSEMBLY	
10	2C-2559	3	NUT-ACORN	
11	2R-Y8892	1	HANDLE	
12	2P-Y8092	1	RETAINING RING	
13	2C-Y9767	2	WASHER	
14	2P-Y8061	1	SPRING	
15	2A-Y8891	1	ROD-CATCH	
16	2A-Y8022	1	SET SCREW	
17	2A-Y8051	2	STOPPER	
18	2C-H8670	4	WASHER	
19	2C-1493	4	SCREW	
20	C3-Y7886-2	1	CHANNEL RUBBER	
21	2C-1827	12	WASHER	
22	2C-2560	12	NUT	
23	C3-Y8133	3	CLAMP-ELEMENT	
24	C3-Y8043	2	CLAMP	
25	C3-Z5627	1	JUMPER	120V
	2E-Z10461		WIRE #15, WIRE ASSEMBLY KIT	230CE/240V
26	2E-Z10326	1	WIRE #19, WIRE ASSEMBLY KIT	120V
	2E-Z10326		WIRE #25, WIRE ASSEMBLY KIT	230V/240V
27	2E-Z10326	1	LUG-RIGHT, WIRE ASSEMBLY KIT	120V
	C3-Y8335		LUG-RIGHT	240V
28	C3-Z5626	1	LUG 120V	G14
30	2T-6213	2	THERMOSTAT 120V (#G1403752, G1801299 & BELOW)	
	2T-Y7422		THERMOSTAT 120V (#G1403753, G1801300 & ABOVE)	
	2T-Y9453		THERMOSTAT 230CE/240V (#G1403748, G1801300 & ABOVE)	
	2T-6213		THERMOSTAT 240V (BELOW #G1801299, ENCLOSED STYLE)	
31	2N-8631	1	ELEMENT 1600 WATT 120V	G14
	2N-8633		ELEMENT 1600 WATT 230CE/240V	G14 / G18
32	2N-8634	1	ELEMENT 800 WATT 230CE/240V	G18
	2N-Y8283		ELEMENT 400 WATT 230CE/240V	G14
	2N-Y8282		ELEMENT 400 WATT 120V	
33	2A-Y8275	1	SPACER-LONG	
34	2A-Y8276	2	SPACER	
35	2F-Z0020	1	PLATE-KETTLE	
36	C3-G1422-PS	1	KETTLE LINER ASSEMBLY	

2M-Y8351; Galaxy Popcorn Poppers



Star International Holdings, Inc. Company

PARTS LIST

December 12, 2011, Rev. O

MODEL: G14/18 KETTLE ASSEMBLY				
Fig No	Part No	Qty	Description	Application
37	PS-G1499	1	G14 & G18, HIGH LIMIT REPLACEMENT KIT	120V/230CE
	2T-Z10182	2	HIGH LIMIT THERMOSTAT , manufactured after Aug. 2007	120V/230CE/240V
38	2E-Z10326	1	WIRE #24, WIRE KIT ASSEMBLY	120V/230CE/240V
39	2E-Z10326	2	WIRE #23, WIRE KIT ASSEMBLY	120V/230CE/240V
40	2C-Z0006	2	SCREW	
41	2C-2556	2	NUT	
42	2C-1825	2	LOCKWASHER	

2M-Y8351; Galaxy Popcorn Poppers



Star International Holdings, Inc. Company

STAR INTERNATIONAL HOLDINGS INC. COMPANY

Star - Holman - Lang - Wells - Bloomfield - Toastmaster

10 Sunnen Drive, St. Louis, MO 63143 U.S.A.

(314) 678-6303

www.star-mfg.com