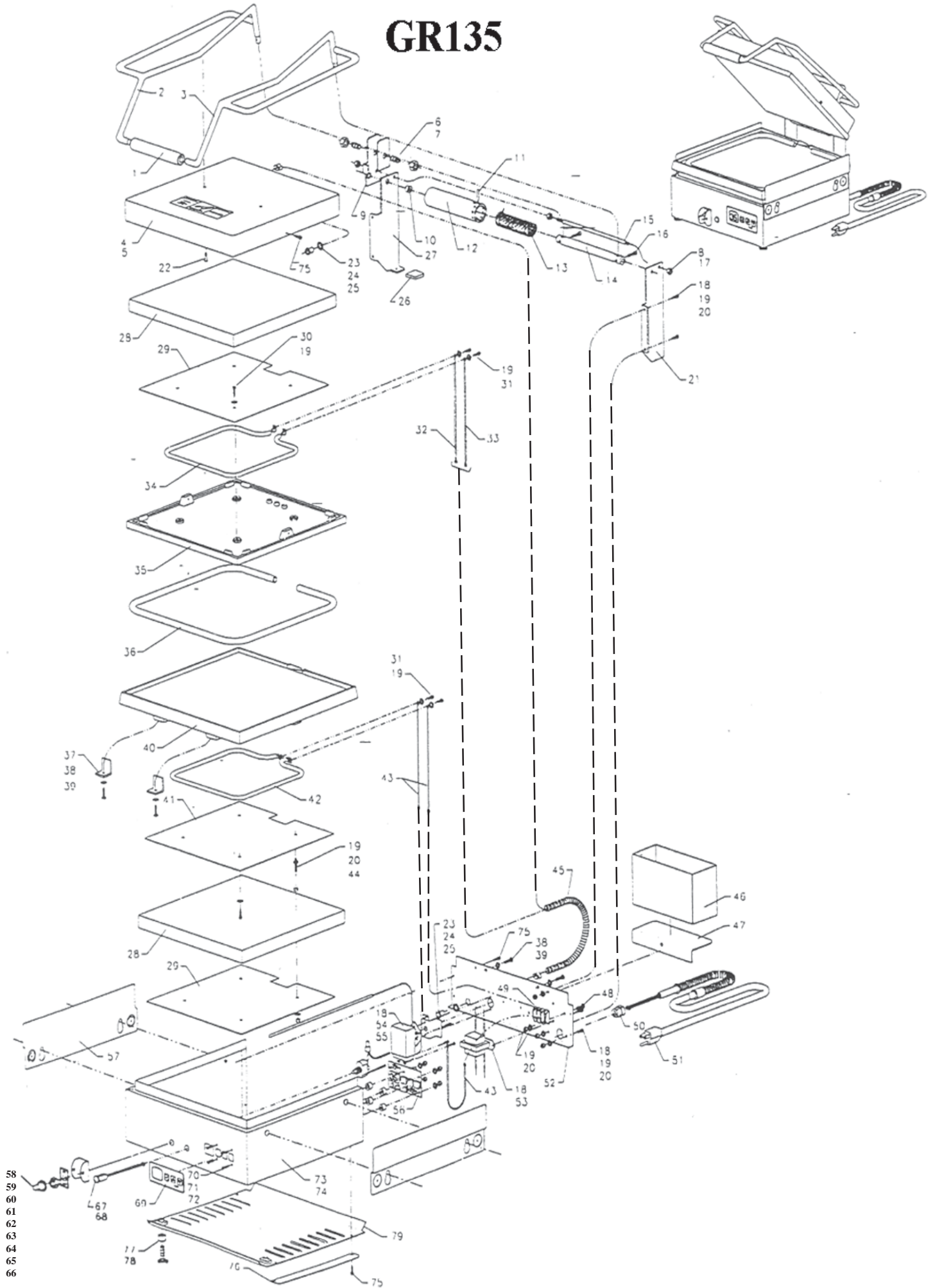


# GR135



58  
59  
60  
61  
62  
63  
64  
65  
66

## MODEL TOASTSWELL SPEED GRILL MODEL GR135

Key Number	Part Number	Number Per Unit	Description
1	D9-04-GR-0075	1	HANDLE: LID
2	D9-70-GR-0252	1	ROD: LEFT HANDLE
3	D9-70-GR-0253	1	ROD: RIGHT HANDLE
4	<a href="#">D9-30-GR-0013</a>	1	HOUSING: UPPER
5	<a href="#">2M-12-GR-0039</a>	1	LABEL: "CAUTION-HOT"
6	<del>2C-08-07-0209</del>	2	<del>BALL: PLUNGER <b>No Longer Available</b></del>
7	2C-08-07-0081	2	NUT: HEX (1/2-13)
8	2C-08-07-0107	1	NUT: HEX (1/4-20)
9	<del>D9-04-GR-0082</del>	1	<del>BRACKET: LID LATCH <b>No Longer Available</b></del>
10	<del>2A-09-GR-0005</del>	1	<del>BUSHING: HINGE SHAFT <b>No Longer Available</b></del>
11	D9-70-GR-0045	1	PIN: SPRING RETAINER
12	D9-70-GR-0051	1	TUBE: SPRING COVER
13	<a href="#">2P-09-GR-0001</a>	1	SPRING: HINGE
14	<del>2A-30-GR-0032</del>	1	<del>SHAFT: HINGE <b>No Longer Available</b></del>
15	<del>2A-09-GR-0011</del>	1	<del>ROD: HINGE <b>No Longer Available</b></del>
16	<a href="#">2C-08-07-0066</a>	2	SCREW, 10-32 x 3/8
17	<del>2C-08-07-0044</del>	3	<del>NUT, 1/4-20 <b>No Longer Available</b></del>
18	<del>2C-08-07-0063</del>	11	<del>SCREW, 8-32 x 5/8 <b>No Longer Available</b></del>
19	<a href="#">2C-08-07-0017</a>	23	LOCKWASHER, #8
20	2C-08-07-0018	15	NUT, 8-32
21	<del>D9-30-GR-0069</del>	1	<del>HINGE BRACKET: RIGHT <b>No Longer Available</b></del>
22	<a href="#">2C-08-07-0001</a>	2	SCREW, 10-32 x 5/8
23	<a href="#">2C-08-GR-0011</a>	2	BUSHING: CONDUIT
24	<del>2C-08-GR-0001</del>	2	<del>LOCKWASHER: CONDUIT <b>No Longer Available</b></del>
25	<a href="#">2C-08-GR-0013</a>	2	CLAMP: CONDUIT
26	<a href="#">2I-09-GR-0008</a>	2	BOOT: BLACK VINYL
27	<del>D9-30-GR-0015</del>	1	<del>HINGE BRACKET: LEFT <b>No Longer Available</b></del>
28	<a href="#">Z1-06-07-0026</a>	2	INSULATION, 12" x 12"
29	<a href="#">D9-04-GR-0030</a>	2	PLATE: ELEMENT RETAINER
30	<del>2C-08-07-0099</del>	4	<del>SCREW, 8-32 x 3/8 <b>No Longer Available</b></del>
31	<a href="#">2C-08-07-0039</a>	4	SCREW, 8-32 x 3/8
32	<del>D9-30-GR-0057</del>	1	<del>LEAD WIRE: RED 30" W/LOOP CONN <b>No Longer Available</b></del>
33	<del>D9-30-GR-0056</del>	1	<del>LEAD WIRE: BLACK 30" W/LOOP CONN <b>No Longer Available</b></del>
34	<a href="#">2N-05-GR-0165</a>	1	ELEMENT, 700W (120V)
	<a href="#">2N-05-GR-0164</a>	1	ELEMENT, 950W (208/240V)
35	<a href="#">2F-01-GR-0002</a>	1	GRILL PLATE: TOP
36	<a href="#">D9-04-GR-0078</a>	1	SPACER: COOKING SURFACE
37	<a href="#">D9-04-GR-0039</a>	2	BRACKET: ANCHOR GRILL PLATE
38	2C-08-07-0092	4	SCREW, 10-24 x 3/4
39	2C-08-07-0093	4	LOCKWASHER, #10
40	<a href="#">2F-Z1491</a>	1	GRILL PLATE: BOTTOM
41	<del>D9-30-GR-0039</del>	1	<del>PLATE: ELEMENT RETAINER <b>No Longer Available</b></del>
42	<a href="#">2N-05-GR-0164</a>	1	ELEMENT, 950W (120V)
	<a href="#">2N-05-GR-0165</a>	1	ELEMENT, 700W (208/240V)
43	<del>D9-30-GR-0059</del>	1	<del>LEAD WIRE: WHITE 6" W/LOOP CONN <b>No Longer Available</b></del>
44	<del>2C-08-GR-0009</del>	1	<del>STUD: ELEMENT PLATE <b>No Longer Available</b></del>
45	<a href="#">D9-05-GR-0029</a>	1	CONDUIT: FLEXIBLE
46	<del>D9-30-GR-0073</del>	1	<del>CUP: GREASE CATCHER <b>No Longer Available</b></del>
47	<del>D9-04-GR-0071</del>	1	<del>BRACKET: GREASE CATCHER CUP <b>No Longer Available</b></del>
48	<a href="#">2C-08-07-0042</a>	2	SCREW, 8-32 x 5/8
49	2C-05-07-0057	1	TERMINAL STRIP: DOUBLE ROW
50	<a href="#">2K-05-07-0017</a>	1	STRAIN RELIEF: CORDSET

IMPORTANT: WHEN ORDERING, SPECIFY VOLTAGE OR TYPE GAS DESIRED  
INCLUDE MODEL AND SERIAL NUMBER

PAGE 1  
OF 2

Some items are included for illustrative purposes only and in certain instances may not be available.



Star Manufacturing International, Inc.

# PARTS LIST

EFFECTIVE

12-19-05 RB

## MODEL TOASTSWELL SPEED GRILL MODEL GR135

Key Number	Part Number	Number Per Unit	Description
51	D9-30-GR-0154	1	CORDSET: 14/3, NEMA # 5-15P (120V)
	D9-30-GR-0155	1	CORDSET: 14/3, NEMA # 6-15P (208/240V)
52	D9-04-GR-0079	1	PLATE: BACK
53	D9-05-GR-0011	1	TRANSFORMER: 120/240V AC
54	2T-05-GR-0008	1	THERMOSTAT (1-1/2" stem length)
	2T-05-GR-0062	1	THERMOSTAT (1/2" stem length)
55	2C-04-07-0002	±	SPACER: THERMOSTAT <b>No Longer Available</b>
56	2P-05-GR-0060	1	TIMER: 99 SECOND W/BUZZER & TRANSFORMER
57	D9-30-GR-0089	2	GUARD: BURN
58	2E-05-07-0099	1	SWITCH: TOGGLE
59	2I-05-07-0013	1	BOOT: SWITCH
60	D9-30-GR-0078	1	LEAD WIRE: BLACK 16" <b>No Longer Available</b>
61	Z1-04-07-0343	1	GUARD: SWITCH
62	2M-12-07-0038	1	LABEL: ON/OFF
63	D9-30-GR-0079	±	LEAD WIRE: BLACK 16" PUSH/LP CONN <b>No Longer Available</b>
64	2E-05-GR-0012	1	FUSE: HIGH LIMIT
65	2C-05-07-0004	5	PIGTAIL: WIRE CONNECTOR
66	Z1-05-07-0018	1	SLEEVING: SILICONE/FIBERGLASS #6
67	B9-05-07-0006	1	PILOT LIGHT (120V)
	2J-05-07-0006	1	PILOT LIGHT (208/240V)
68	D9-30-GR-0080	±	LEAD WIRE: WHITE 3" STRP/LP CONN <b>No Longer Available</b>
69	2M-12-GR-0020	1	LABEL: 99 SECOND TIMER
70	2C-08-07-0208	4	SCREW: 6-32 x 3/4
71	2C-08-07-0059	4	LOCKWASHER: #6
72	2C-08-07-0020	4	NUT, HEX: 6-32
73	D9-30-GR-0083	±	HOUSING: LOWER <b>No Longer Available</b>
74	2C-05-07-0028	2	CLAMP, NYLON WIRE <b>No Longer Available</b>
75	2C-08-07-0038	10	SCREW: 6-32 x 17/32
76	D9-04-GR-0040	2	SPACER STRIP: HOUSING
77	2C-08-GR-0004	2	LEG SCREW: ADJUSTABLE
78	2C-09-GR-0006	2	SPACER: LEG <b>No Longer Available</b>
79	D9-30-GR-0012	1	COVER: BOTTOM
NI	D9-40-GR-0001	±	CLAMP KIT (includes (2) of 55, 56, & 57) <b>No Longer Available</b>

IMPORTANT: WHEN ORDERING, SPECIFY VOLTAGE OR TYPE GAS DESIRED  
INCLUDE MODEL AND SERIAL NUMBER

PAGE 2  
OF 2

Some items are included for illustrative purposes only and in certain instances may not be available.



Star Manufacturing International, Inc.