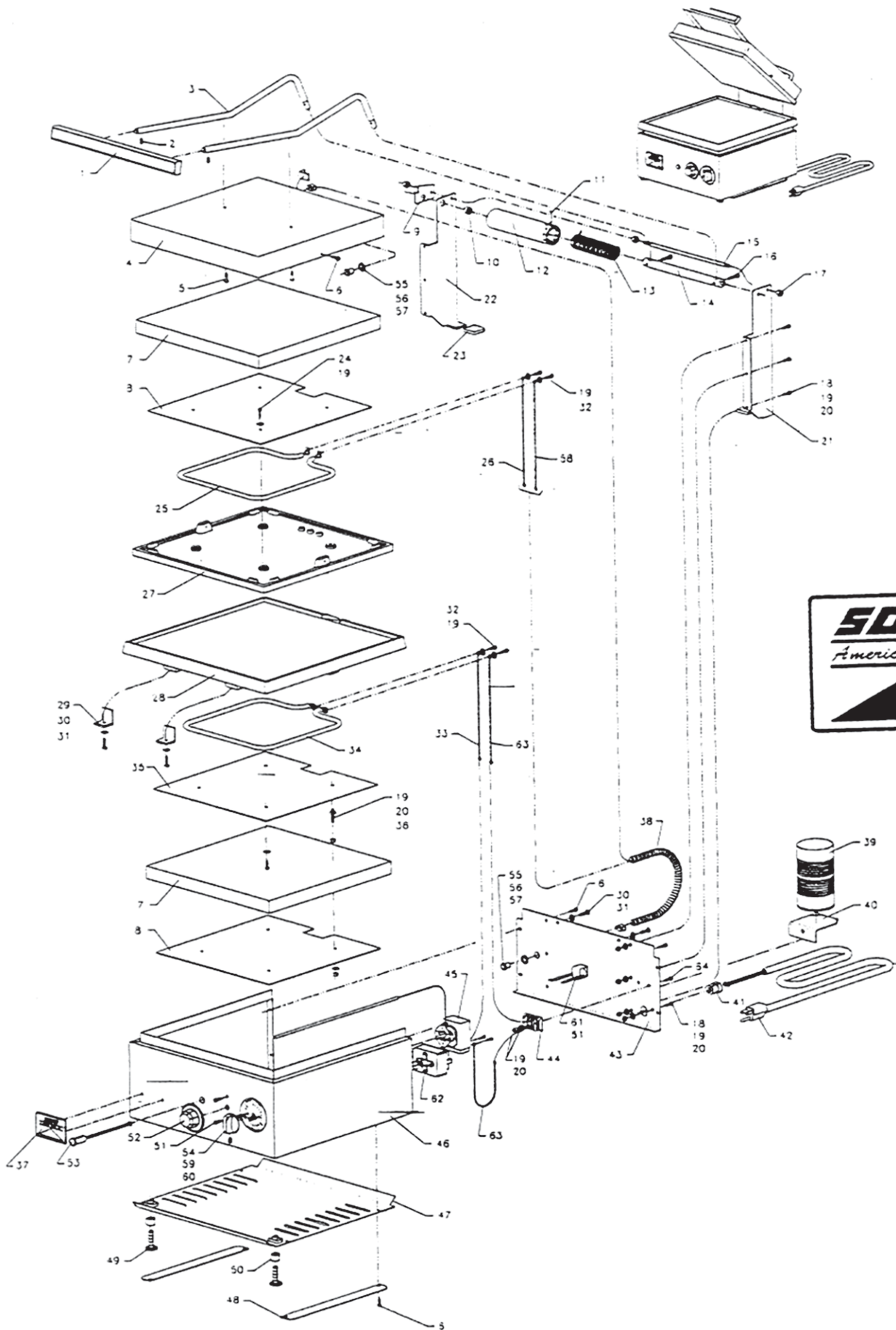


REPLACEMENT PARTS

MODELS: GR131-L (120V) & GR131-H (208/230V)



PARTS LIST

EFFECTIVE

10-10-06 RB

MODEL GR131

Key Number	Part Number	Number Per Unit	Description
1	D9-70-GR-0175	1	HANDLE: LID
2	2C-08-07-0112	2	SET SCREW, 1/4-20 x 1/4 (for Handle)
3	D9-30-GR-0040	2	ROD: HANDLE
4	D9-30-GR-0013	1	HOUSING: UPPER
5	2C-08-07-0001	2	SCREW, 10-32 x 5/8
6	2C-08-07-0038	10	SCREW, 6-32 x 17/32
7	Z1-06-GR-0001	2	INSULATION, 12" x 12"
8	D9-04-GR-0030	2	PLATE: ELEMENT RETAINER
9	D9-04-GR-0185	1	BRACKET: LID STOP
10	2A-09-GR-0003	1	BUSHING: HINGE SHAFT
11	D9-70-GR-0045	1	PIN: SPRING RETAINER
12	D9-30-GR-0034	1	TUBE: SPRING COVER
13	2P-09-GR-0001	1	SPRING: HINGE
14	D9-30-GR-0032	1	SHAFT: HINGE
15	D9-30-GR-0033	1	ROD: HINGE
16	2C-08-07-0066	2	SCREW, 10-32 x 3/8
17	2C-08-07-0044	3	NUT, 1/4-20
18	2C-08-07-0042	7	SCREW, 8-32 x 5/8
19	2C-08-07-0017	23	LOCKWASHER, # 8
20	2C-08-07-0018	15	NUT, 8-32 brass
21	D9-30-GR-0038	1	HINGE BRACKET: RIGHT
22	D9-30-GR-0037	1	HINGE BRACKET: LEFT
23	2I-09-GR-0008	2	BOOT: BLACK VINYL
24	2C-08-07-0099	6	SCREW, 8-32 x 3/8
25	2N-05-GR-0165	1	ELEMENT: TOP, 700W (120V)
	2N-05-GR-0164	1	ELEMENT: TOP, 950W (208/240V)
26	D9-30-GR-0057	1	LEAD WIRE: RED, 30" w/LOOP CONNECTIONS
27	2F-01-GR-0002	1	GRILL PLATE: TOP
28	2F-Z1491	1	GRILL PLATE: BOTTOM
29	D9-04-GR-0039	2	BRACKET: ANCHOR GRILL PLATE
30	2C-08-07-0092	4	SCREW, 10-L4 x 3/4
31	2C-08-07-0093	4	LOCKWASHER, #10
32	2C-08-07-0039	4	SCREW, 8-32 x 3/8
33	D9-30-GR-0059	1	LEAD WIRE: WHITE, 6" w/LOOP CONNECTIONS
34	2N-05-GR-0164	1	ELEMENT: BOTTOM, 950W (120V)
	2N-05-GR-0165	1	ELEMENT: BOTTOM, 700W (208/240V)
35	D9-30-GR-0039	1	PLATE: ELEMENT RETAINER
36	D9-30-GR-0009	2	STUD: ELEMENT PLATE
37	2M-12-GR-0013	1	LOGO LABEL: SONIC
38	D9-04-GR-0029	1	CONDUIT: FLEXIBLE
39	2L-09-GR-0004	1	CUP: GREASE CATCHER
40	D9-30-GR-0036	1	BRACKET: GREASE CATCHER CUP
41	2K-05-07-0017	1	STRAIN RELIEF: CORDSET
42	2E-05-07-0051	1	CORDSET: 14/3, NEMA 5-15P (120V)
	2E-05-07-0049	1	CORDSET: 14/3, NEMA 6-15P (208/240V)
43	D9-30-GR-0011	1	PLATE: BACK
44	2C-05-07-0057	1	TERMINAL STRIP: DOUBLE ROW
45	2T-05-GR-0005	1	THERMOSTAT: #K-388-42
46	D9-04-GR-0038	1	HOUSING
47	D9-30-GR-0012	1	COVER: BOTTOM
48	D9-04-GR-0040	1	SPACER STRIP: HOUSING
49	2C-08-GR-0004	2	LEG SCREW: ADJUSTABLE
50	2C-09-GR-0006	2	SPACER: LEG
51	2C-08-07-0037	2	SCREW, 6-32 x 3/8

**IMPORTANT: WHEN ORDERING, SPECIFY VOLTAGE OR TYPE GAS DESIRED
INCLUDE MODEL AND SERIAL NUMBER**

PAGE 1
OF 2

Some items are included for illustrative purposes only and in certain instances may not be available.



Star Manufacturing International, Inc.

PARTS LIST

EFFECTIVE

10-10-06 RBMODEL GR131

Key Number	Part Number	Number Per Unit	Description
52	2R-09-07-0006	1	KNOB: TEMP CONTROL
53	B9-05-07-0006	1	PILOT LIGHT (120V)
	2J-05-07-0010	1	PILOT LIGHT (208/240V)
54	2R-09-07-0018	1	KNOB: TIMER
55	2C-08-GR-0011	2	BUSHING: CONDUIT
56	2C-08-GR-0001	2	LOCKWASHER: CONDUIT
57	2C-08-GR-0013	2	CLAMP: CONDUIT
58	D9-30-GR-0056	1	LEAD WIRE: BLACK, 30" w/LOOP CONNECTIONS
59	2C-08-07-0116	2	SCREW, 4-32 x 3/8
60	2C-09-07-0008	1	BEZEL: TIMER
61	2E-05-07-0056	1	BUZZER: DELTROL
62	2P-05-GR-0007	1	TIMER: ELECTRO/MECHANICAL
63	D9-30-GR-0058	1	LEAD WIRE: WHITE, 15" w/LOOP CONNECTIONS
64	2C-08-07-0053	2	SCREW, 8-32 x 3/4

**IMPORTANT: WHEN ORDERING, SPECIFY VOLTAGE OR TYPE GAS DESIRED
INCLUDE MODEL AND SERIAL NUMBER**

PAGE 2
OF 2

Some items are included for illustrative purposes only and in certain instances may not be available.



Star Manufacturing International, Inc.