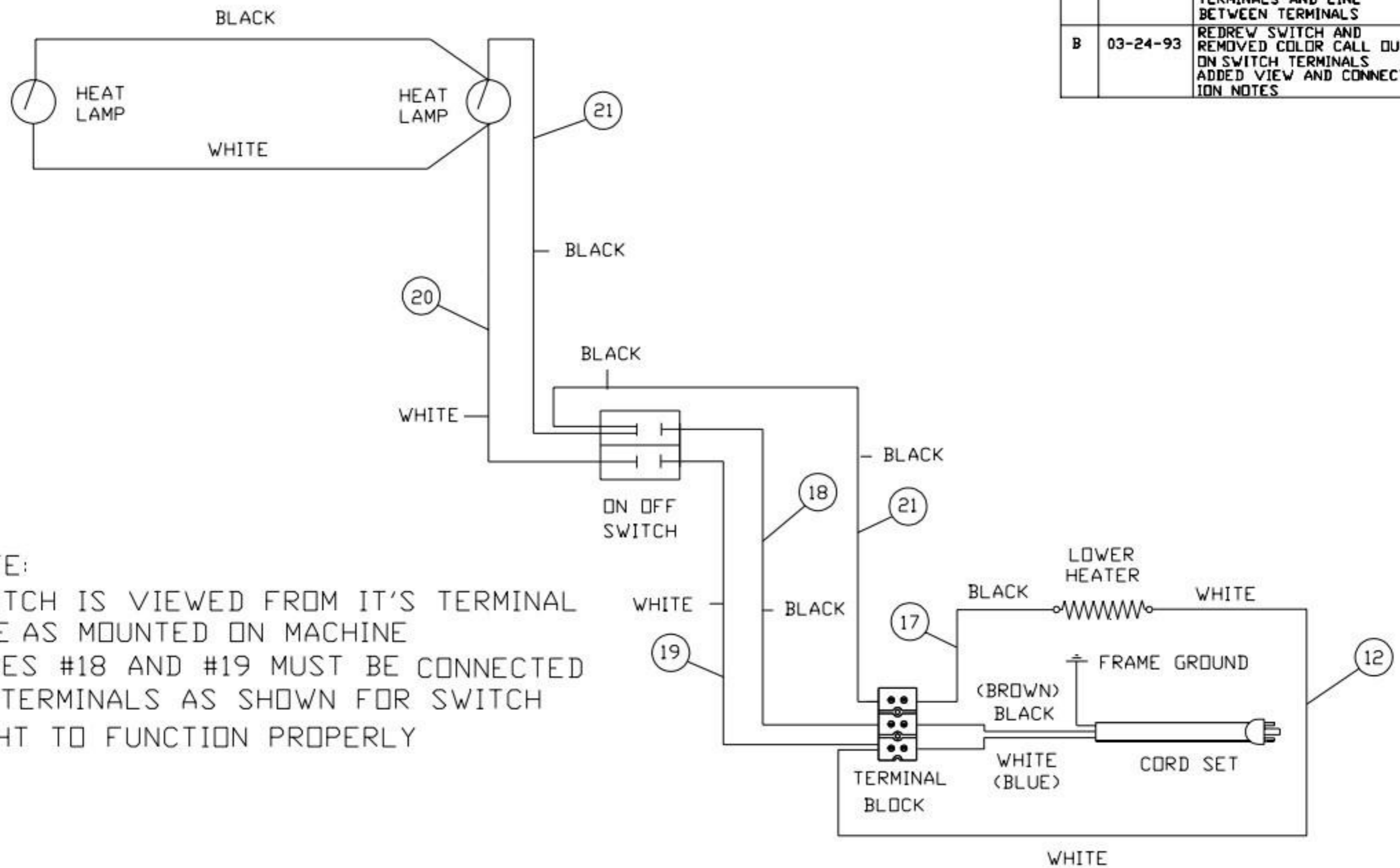


| | | | |
|---|----------|---|------|
| - | 02-16-93 | RELEASED FOR PRODUCTION | R.T. |
| A | 03-22-93 | ADDED COLOR TO SWITCH TERMINALS AND LINE BETWEEN TERMINALS | R.T. |
| B | 03-24-93 | REDREW SWITCH AND REMOVED COLOR CALL OUT ON SWITCH TERMINALS ADDED VIEW AND CONNECTION NOTES | R.T. |



NOTE:
 SWITCH IS VIEWED FROM IT'S TERMINAL
 SIDE AS MOUNTED ON MACHINE
 WIRES #18 AND #19 MUST BE CONNECTED
 TO TERMINALS AS SHOWN FOR SWITCH
 LIGHT TO FUNCTION PROPERLY