

**MODEL FS1RS**  
**Main Body Assembly**



# PARTS LIST

October 25, 2011, Rev A

MODEL FS1RS-120V Fast Steamer Main Body

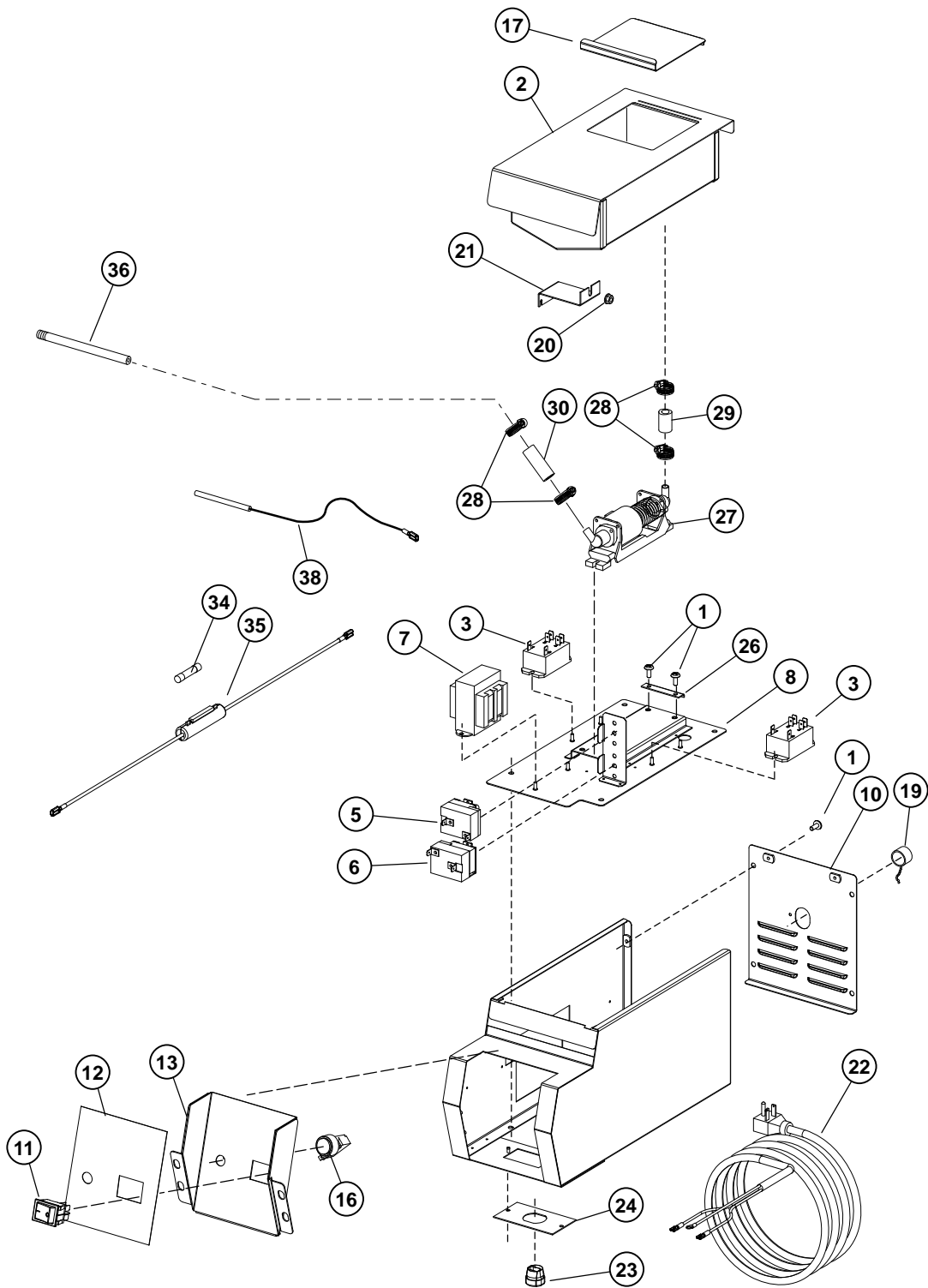
Key Number	Part Number	Number Per Unit	Description and Model Designation
1	2C-4063	AR	SCREW 10-24X1/2 SS THP FS1RS-120V
2	C9-FS0364	1	COVER SKIN ASSY FS1RS-120V
3	2C-Z9982	1	SCREW 3/8-16X1 PHFHMS SS FS1RS-120V
4	2A-Z9955	1	HANDLE MOUNTING BLOCK FS1RS-120V
5	2R-09-WB-0027	1	HANDLE-BLK 3/8-16X1 PHFHMS SS FS1RS-120V
6	2C-9042	3	SCREW 10-24X.75 FH SS FS1RS-120V
7	C9-FS0316	1	INSIDE COVER INSERT FS1 FS1RS-120V
8	2I-Z10034	1	FS1 COVER GASKET W/CLIPS FS1RS-120V
9	2B-Z10067	1	BOTTOM GRATE FOR 1/2 PAN FS1RS-120V
10	2D-Z10054	1	1/2 PAN 2.5DP PERF SIDES FS1RS-120V
11	2C-Z4251	2	SCREW 8-32X3/8 RHP SS FS1RS-120V
12	C9-Z9987	1	COVER DRIP CATCH FS1/2 FS1RS-120V
13	C9-Z10488	1	PROBE HOLDER FS1/FS2 E/C FS1RS-120V
14	2C-1487	1	SCREW 6-32X1/4 RHP STL NP FS1RS-120V
15	C9-Z10175	1	BOTTOM FS1 FS1RS-120V
16	2C-Z6925	14	SCREW #8 X 1/2 HEX WB SS FS1RS-120V
17	2A-Z3828	4	1" SOLID LEG FS1RS-120V
18	C9-Z10482	1	ELEMENT INSULATION FS1 FS1RS-120V
19	2C-Z2893	4	NUT 10-24 HEX STL ZP 9/16 WASHER FS1RS-120V
20	C9-Z10153	2	STEAM GENERATOR SUPPORT FS1 FS2 STMER FS1RS-120V
21	C9-Z10336	2	ELEMENT RETAINER FS1 FS1RS-120V
22	2A-Z6604	4	SPACER, INSULATION PLATE FS1RS-120V
23	2N-Z9983	1	ELEMENT FS1 120V 1800W FS1RS-120V
24	C9-FS0378	1	FS1, WATER SPREADER ASSY FS1RS-120V



**IMPORTANT: WHEN ORDERING, SPECIFY VOLTAGE OR TYPE GAS DESIRED  
INCLUDE MODEL AND SERIAL NUMBER**

PAGE 1  
OF 1

Some items are included for illustrative purposes only and in certain instances may not be available.



**MODEL Fast Steamer**  
**Control Box Assemblies**  
**Reservoir Water Supply**



# PARTS LIST

October 25, 2011, Rev A

MODEL FS1RS Top Loading Fast Steamer Control Box Assemblies

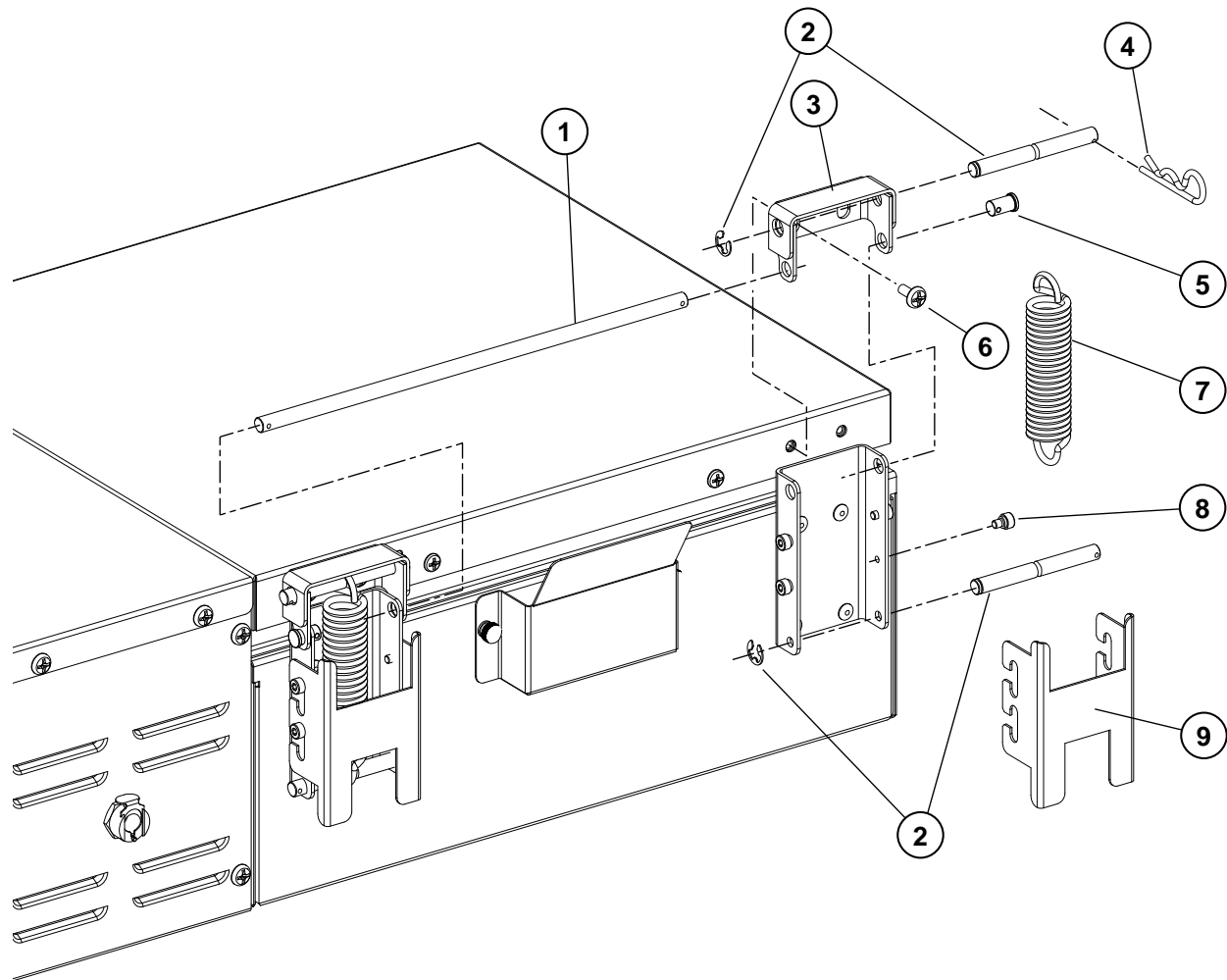
Key Number	Part Number	Number Per Unit	Description and Model Designation
1	<a href="#">2C-Z4063</a>	AR	SCREW 10-24X1/2 SS THP 18-8 OR 300 SERIES FS1RS-120V
2	<a href="#">C9-FS0305</a>	1	CNTR BOX COVER ASSY STMR W/RES FS1RS-120V
3	<a href="#">2E-Z10158</a>	2	RELAY, DPST-NO SEALED FS1RS-120V
5	<a href="#">2T-Z10248</a>	1	THERMOSTAT, 122F-483F FS1RS-120V
6	<a href="#">2T-Z10839</a>	1	HL THERMOSTAT CAP-570 FS1RS-120V
8	<a href="#">C9-FS0343</a>	1	CB BTM ASSY FS1/2 R MAN FS1RS-120V
10	<a href="#">C9-FS0311</a>	1	CNTR BOX BACK ASSY FS1RS-120V
11	<a href="#">2E-Z1858</a>	1	SWITCH-LIGHTED FS1RS-120V
12	<a href="#">2M-Z11307</a>	1	LABEL, OVERLAY SUPERIOR FS1RS-120V
13	<a href="#">C9-Z10484</a>	1	CNTR PANEL ASSY M/C FS1RS-120V
16	<a href="#">2E-Z9991</a>	1	SNAP PUSHBUTTON ASSY FS1RS-120V
17	<a href="#">C9-Z10486</a>	1	TANK LID FSF FS1/2 STMR FS1RS-120V
19	<a href="#">A3-35219</a>	1	CAP & CHAIN FS1RS-120V
22	<a href="#">A5-RG2036</a>	1	CORD SET 120V W/TERMINALS, FS1RS-120V
23	<a href="#">2K-Z2895</a>	1	BUSHING HEYCO SR 17-2 FS1RS-120V
24	<a href="#">C9-Z10457</a>	1	CORDSET MTG PLATE .88X.77 FS1RS-120V
26	<a href="#">C9-Z10220</a>	2	PUMP MOUNTING STRAP FS1RS-120V
27	<a href="#">2U-Z12875</a>	1	WATER PUMP, STMR 120V FS1RS-120V
28	<a href="#">2C-Z10240</a>	4	CLAMP, HOSE 7/16-25/32 FS1RS-120V
29	<a href="#">C9-Z10237</a>	1	PUMP INLET HOSE FS1RS-120V
30	<a href="#">C9-Z10247</a>	1	FS1/FS2 OUTLET HOSE FS1RS-120V
36	<a href="#">2K-Z9978</a>	1	HALF NIPPLE 1/8X2.5 FS1RS-120V



**IMPORTANT: WHEN ORDERING, SPECIFY VOLTAGE OR TYPE GAS DESIRED  
INCLUDE MODEL AND SERIAL NUMBER**

PAGE 1  
OF 2

Some items are included for illustrative purposes only and in certain instances may not be available.



**MODEL FS1**  
**Hinge Bracket Assembly**



# PARTS LIST

October 25, 2011, Rev A

FS1R, FS1D, FS1RT, FS1DT, FS2R, FS2D, FS2RT, FS2DT  
 MODEL Top Loading Fast Steamer Hinge Assemblies

Key Number	Part Number	Number Per Unit	Description and Model Designation
1	<a href="#">2A-Z10454</a>	1	CENTER HINGE PIN FS1 FS1
2	<a href="#">2A-Z10214</a>	2	PIN, SPRING STEAMER FS1
3	<a href="#">C9-Z10156</a>	2	HINGE/COVER BRACKET FS1
4	<a href="#">2C-Z10215</a>	8	COTTER PIN 18-8 5/16 .059 FS1
5	<a href="#">2A-Z9992</a>	2	HINGE PIN, OUTSIDE FS1
6	<a href="#">2C-Z4063</a>	AR	SCREW 10-24X1/2 SS THP FS1
7	<a href="#">2P-Z10217</a>	2	FS1 FS2 HINGE SPRING FS1
8	<a href="#">2A-Z10093</a>	8	SCREW SHOULDER 8-32X3/16 FS1
9	<a href="#">C9-Z10452</a>	2	COVER STOP FS1 FS2 FS1



**IMPORTANT: WHEN ORDERING, SPECIFY VOLTAGE OR TYPE GAS DESIRED  
 INCLUDE MODEL AND SERIAL NUMBER**

PAGE 1  
 OF 1

Some items are included for illustrative purposes only and in certain instances may not be available.