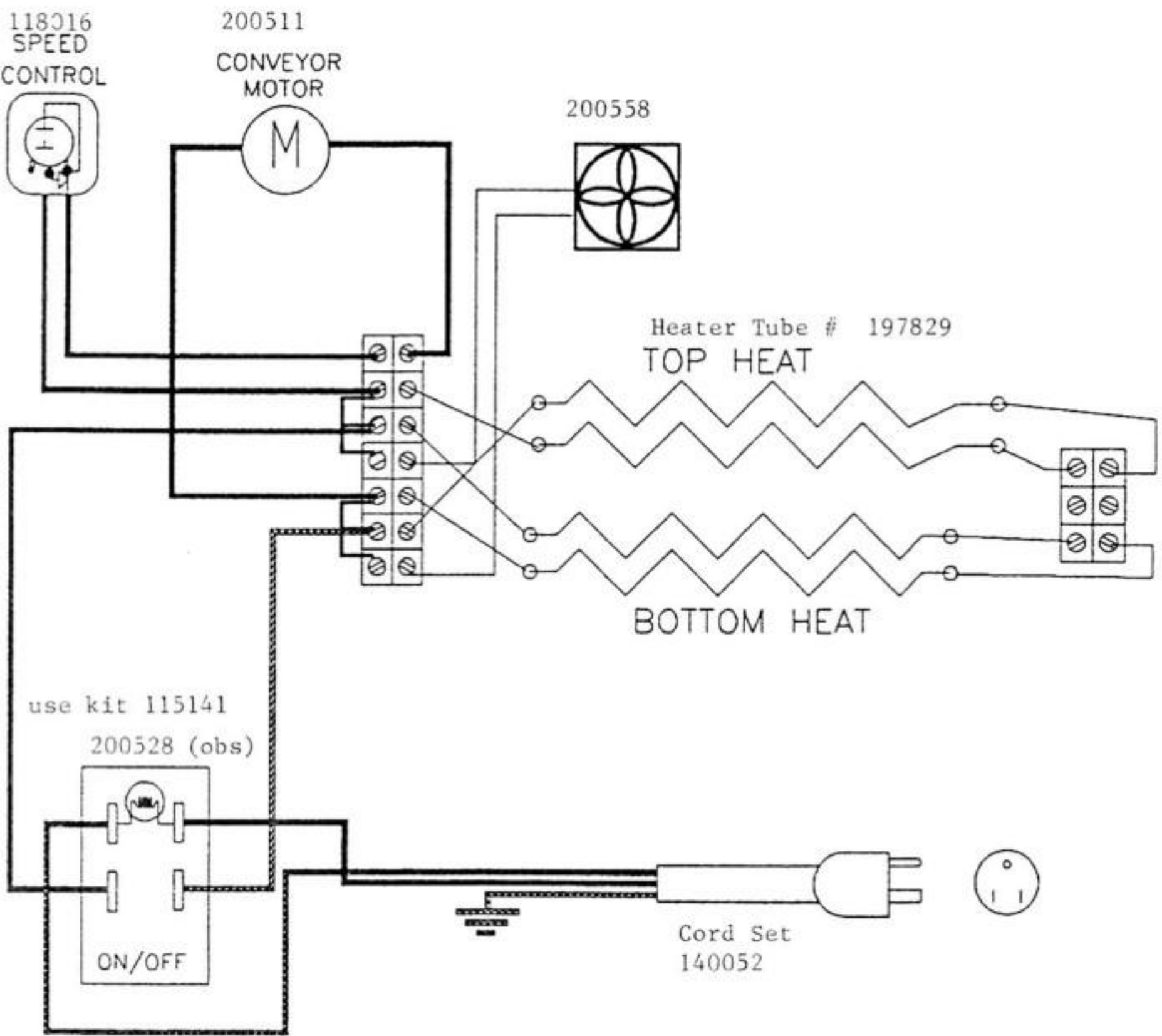
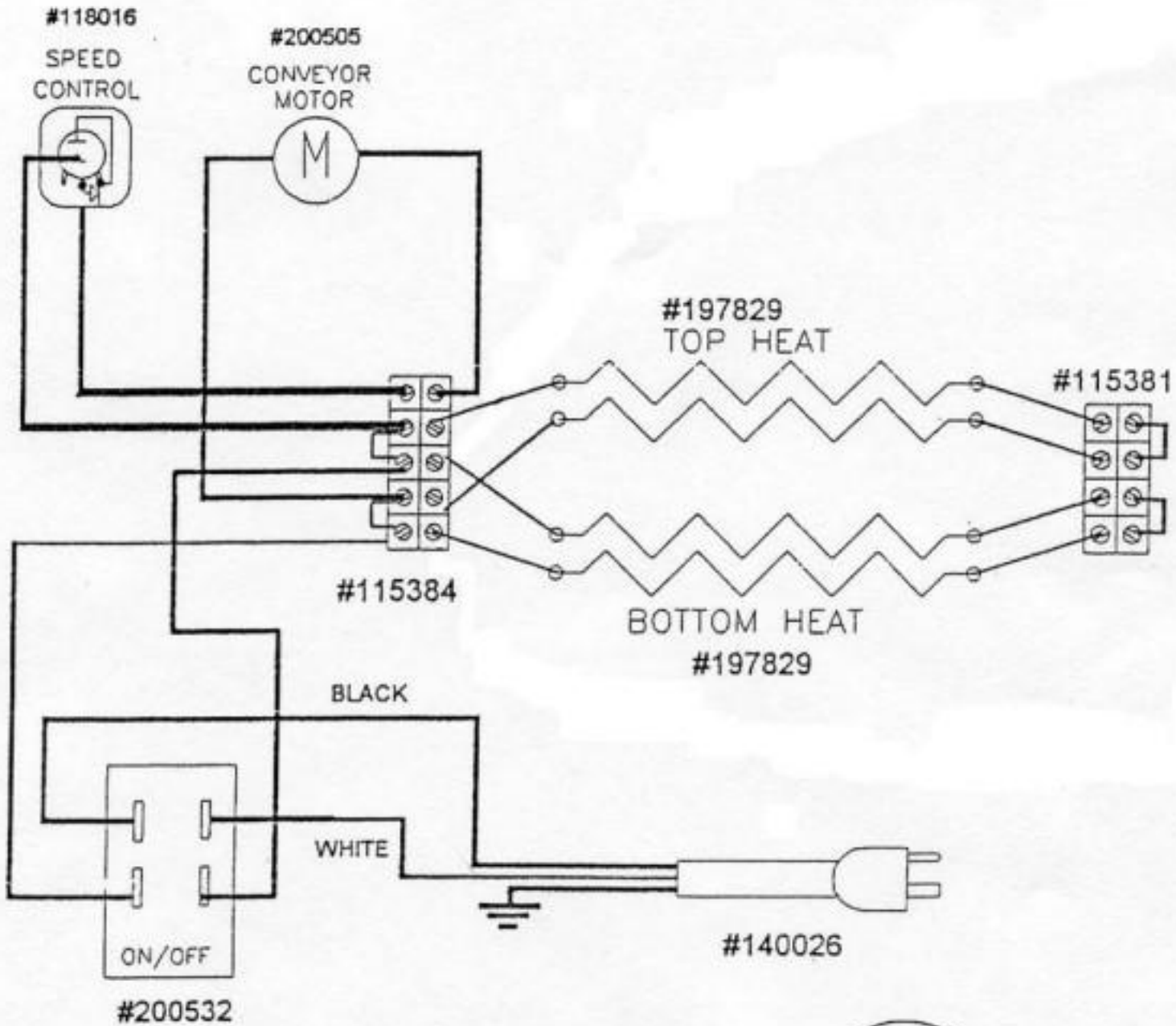


REV. 11/15/99





NEMA 5-15 P
 120 / 15AMP



SPEED CONTROL

CONVEYOR MOTOR

FAN MOTOR

TOP HEAT

BOTTOM HEAT

135587

ON/OFF

GND

220V

