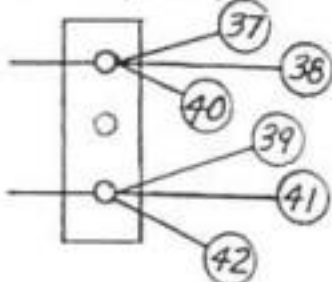
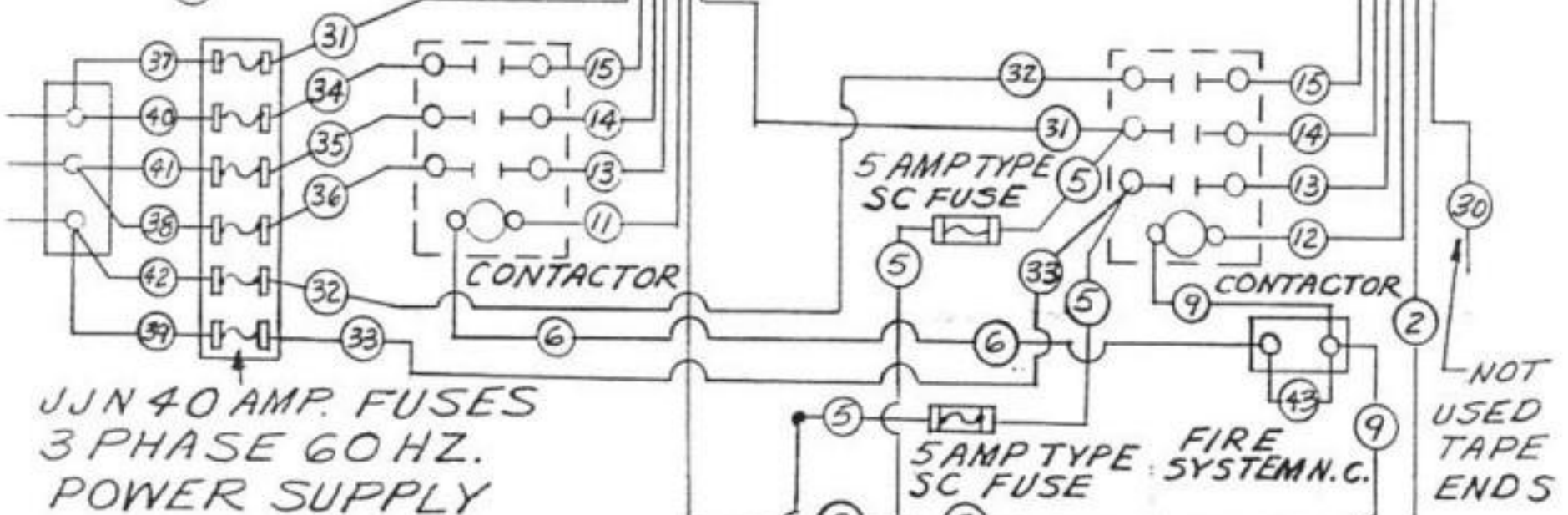


SINGLE PHASE
60 HZ.



WIRE
HARNESS
#22

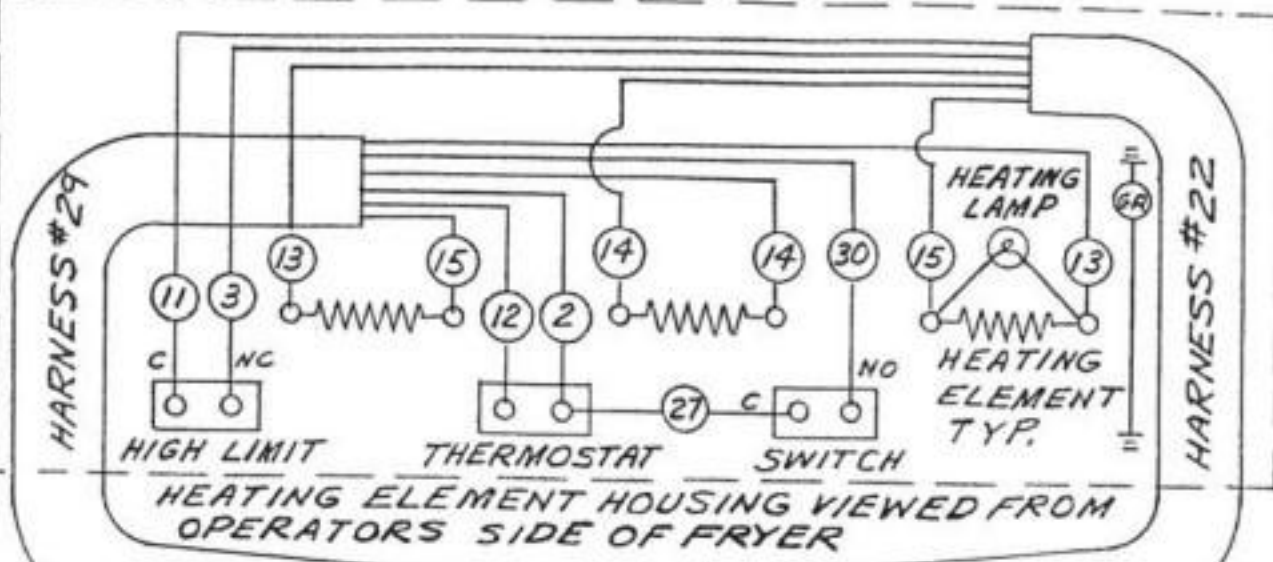
WIRE HARNESS
#29



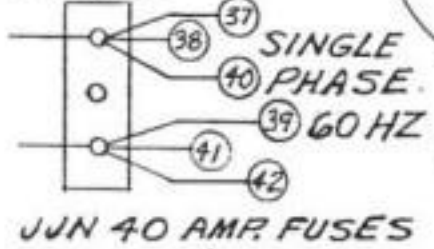
RATED WATTAGE 22,000					
NOMINAL AMPERES PER LINE					
THREE PHASE			SINGLE PHASE		
208 VOLTS			240 VOLTS		
X	Y	Z	X	Y	Z
61.1	61.1	61.1	53.0	53.0	53.0
FOR POWER SUPPLY USE 3 AWG WIRE			FOR POWER SUPPLY USE 4 AWG WIRE		
			POWER SUPPLY		
			1/0	2	
			AWG	AWG	

ON OFF SWITCH

WIRE SIZES:
 HARNESS NO. 22
 KEYS 3, 11, 6, #16 GA.
 KEYS 13, 14, 15 #10 GA.
 HARNESS NO. 29
 KEYS 30, 2, 12, #16 GA.
 KEYS 13, 14, 15 #10 GA.
 HARNESS NO. 10
 KEYS 15, 20 #16 GA.
 KEYS 16, 17, 18, 19 #18 GA.
 KEYS 4, 8, GR #10 GA.
 ALL OTHER INTERNAL WIRE IS #16 GA.

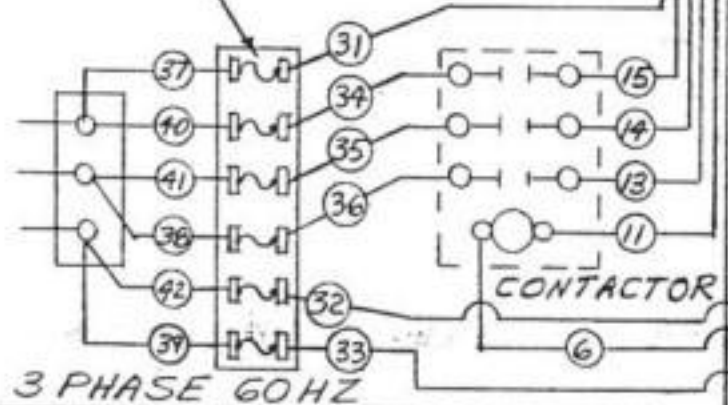


NOTE: HARNESSES ROUTED AS SHOWN HERE INSIDE BACK OF FRYER



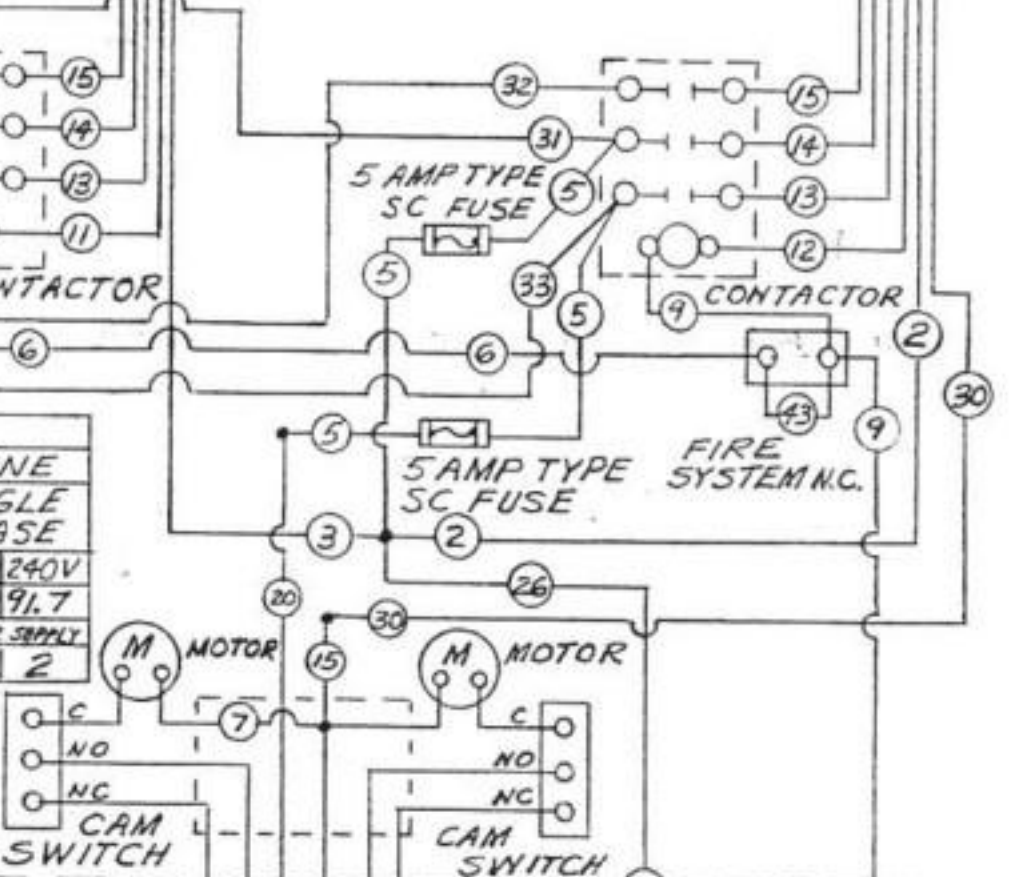
WIRE HARNESS #22

WIRE HARNESS #29

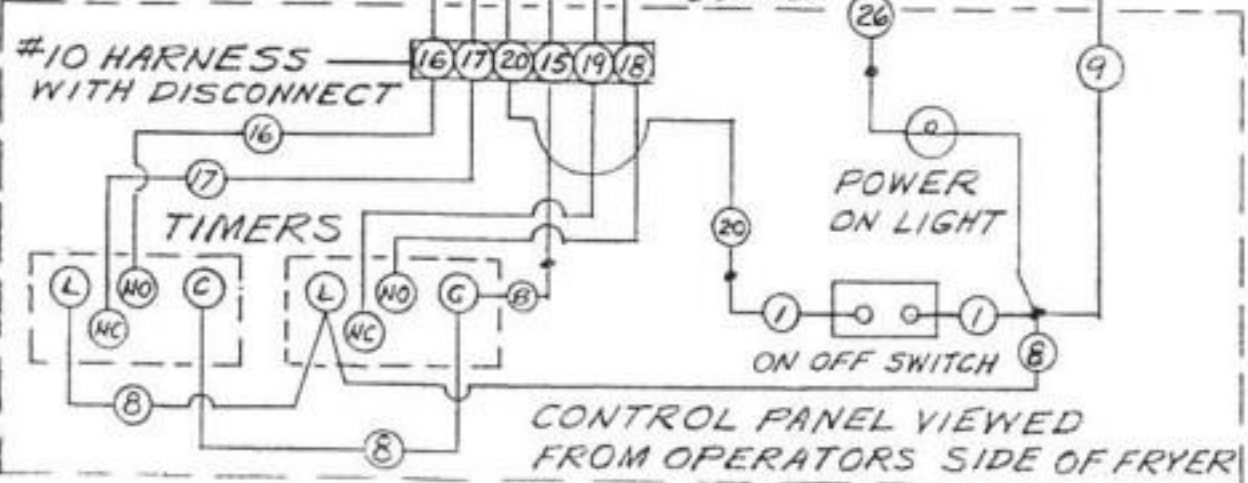


RATED WATTAGE 22,000					
NOMINAL AMPERES PER LINE					
THREE PHASE			SINGLE PHASE		
208V			240V		
X	Y	Z	X	Y	Z
61.1	61.1	61.1	53.0	53.0	53.0
POWER SUPPLY 3 AWG WIRE		POWER SUPPLY 4 AWG WIRE		POWER SUPPLY 1/0 2	

- FOR POWER SUPPLY WIRES USE COPPER WIRE ONLY.
- USE 60°C INSULATION FOR 3 PHASE AND 75°C ON SINGLE PH.



MODEL EM-14 DLSS
 STAR MFG. CO.
 ST. LOUIS, MO.



Y4040