



10 SUNNEN DRIVE P.O. BOX 430129 ST. LOUIS, MISSOURI 63143
(314) 678-6303 • FAX (314) 781-2714

**OPERATOR'S MANUAL
HOLMAN CONVEYOR TOASTERS
MODELS DT14-PS AND DT14-TH**

**FOR SERVICE INFORMATION
U.S. AND CANADA CALL: TOLL FREE 1-800-807-9054
24 HOURS/DAY 7 DAYS/WEEK**

TABLE OF CONTENTS

UNCRATING AND INSPECTION	PAGE 2
ASSEMBLY AND INSTALLATION	PAGE 2
ELECTRICAL INSTALLATION	PAGE 3
COOKING PROCEDURES	PAGE 4
CLEANING PROCEDURES	PAGE 4
TROUBLESHOOTING GUIDE	PAGE 5
PARTS LIST	PAGE 6

ILLUSTRATIONS AND WIRING DIAGRAMS

TOAST CHUTE	PAGE 2
ADJ. HEAT SHIELD, FRONT VIEW	PAGE 2
POWER SAVER SWITCH	PAGE 3
CRUMB TRAYS	PAGE 4
HIGH LIMIT RESET SWITCH	PAGE 4
WIRING DIAGRAMS	PAGE 7, 8

Electric Cooking Equipment for the Food Service Industry

Conveyor Toasters & Ovens Cheese Melters Broilers Pretzel Bakers

**OPERATOR'S MANUAL
HOLMAN CONVEYOR TOASTERS
MODELS DT14-PS AND DT14-TH**

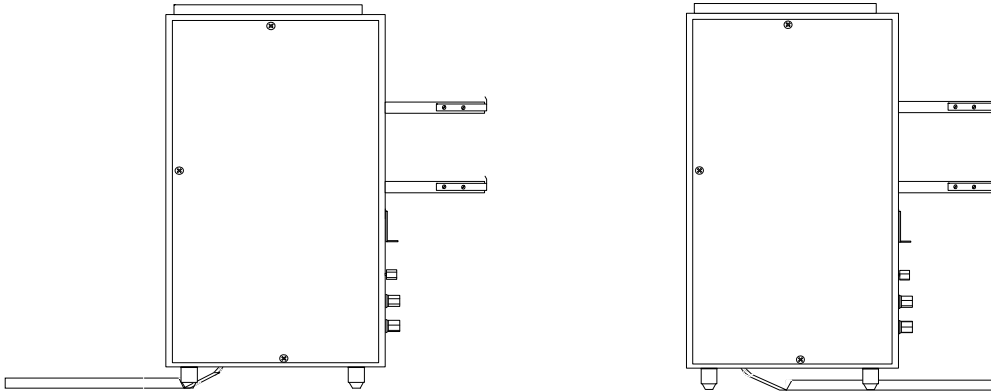
UNCRATING AND INSPECTION

Unpack unit and components from shipping container. Remove all visible packing material and inspect unit for damage. If damage is discovered, contact the carrier that handled the shipment and file a shipping damage claim immediately.

ASSEMBLY AND INSTALATION

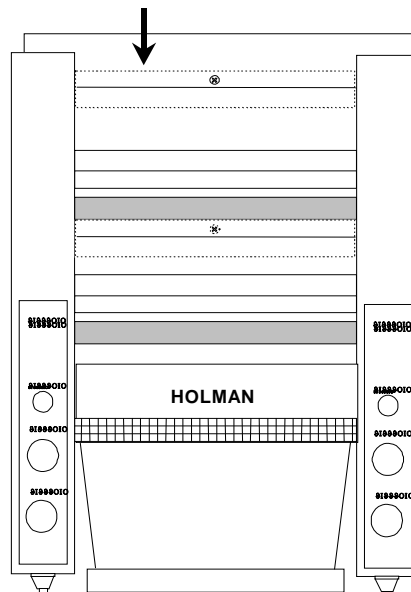
Model DT14-PS/TH is shipped fully assembled and ready to plug into a 50A, 250VAC Twist Lok receptable such as a Hubbell part number CS8269. Removal or replacement of the power cord and plug will **VOID** the warranty. Consult with a licensed electrician prior to installation. For assistance, call the Holman Factory Service Team at 1-800-807-9054.

The toast chute may be installed for either front or rear product discharge as shown below.



The DT14-PS/TH is equipped with an adjustable front heat shutter. This shutter may be adjusted from an opening clearance of 1½" up to 3". To adjust shutter, loosen the single Phillips screw on the front of the top cover, slide the shutter up or down to the desired height and tighten the Phillips screw. The screw for the lower chamber is located above the conveyor belt on the front of the toaster and can be adjusted in the same manner.

ADJUSTABLE HEAT SHUTTER



FRONT VIEW OF TOASTER

ELECTRICAL INSTALLATION



WARNING

MAKE SURE ALL INPUT POWER IS OFF OR THAT THE UNIT IS DISCONNECTED FROM THE POWER SUPPLY BEFORE INSTALLING OR REMOVING ANY PART.



WARNING

BEFORE INSTALLING UNIT (S), CHECK WITH LOCAL POWER COMPANY TO DETERMINE ACTUAL VOLTAGE AT THE JOB SITE. NEVER PLUG a 208-VOLT UNIT INTO 240 VOLTS OR A 240-VOLT UNIT INTO 208 VOLTS.



WARNING

BE SURE THE GROUND CONNECTION FOR THE RECEPTICAL IS PROPERLY WIRED. NEVER CONNECT UNIT TO POWER WITHOUT PROPER GROUND CONNECTIONS. IMPROPER GROUND MAY RESULT IN SEVERE INJURY OR FATALITY.

POWER SAVER SWITCH

Your Holman toaster is equipped with 2 rotary power saver switches.

FULL POWER-

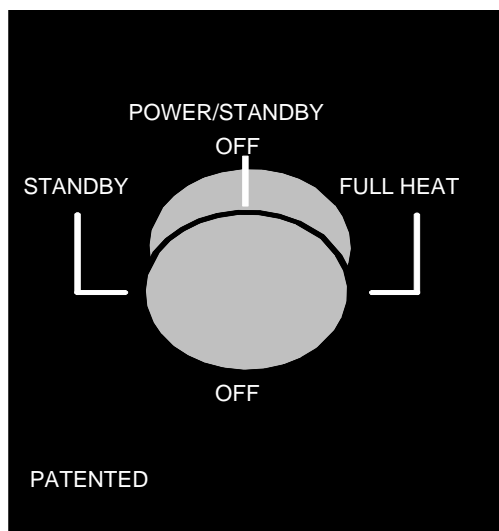
When in this position your unit is at Full Power and ready to use. Adjust the Conveyor Belt Speed Control to your desired settings.

OFF-ROTARY-

Two off positions are provided so that a single rotation in either direction will result in the unit being turned OFF.

STANDBY-

The standby position reduces the power to the unit to ¼, and therefore saves 75% of the energy consumption. In this position your unit will stay warm and reduce the reheat time when switched to Full Power to 20 to 30 seconds.



**OPERATOR'S MANUAL
HOLMAN CONVEYOR TOASTERS
MODELS DT14-PS AND DT14-TH**

COOKING PROCEDURES

A. BREAD TOASTING, TOP CONVEYOR ONLY.

- 1) Turn the Power Saver Switch for the top toasting chamber to FULL POWER.
- 2) Allow warm up time of 5 to 10 minutes. Test with product.
 - If product is too light, turn conveyor speed control counterclockwise to a slower speed.
 - If product is too dark, turn conveyor speed control clockwise to a faster speed.

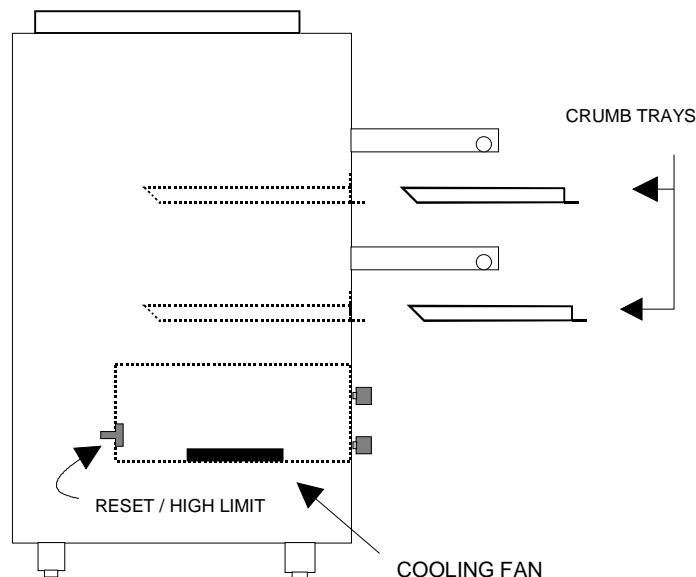
B. BAGEL TOASTING (one-sided toasting).

- 1) Use the lower conveyor. Turn the power saver switch to FULL POWER. Set conveyor speed control to 50. Follow the same instructions as above.
- 2) Test using a half of a bagel with the cut side up.
 - If the bagel half is too light, turn the speed control counterclockwise to a slower speed.
 - If the bagel half is too dark, turn conveyor speed control clockwise to a faster speed.

CLEANING PROCEDURES

A. CLEANING (DAILY)

- 1) Clean air intake on bottom of unit.
- 2) For lightly soiled conveyor belts, turn conveyor speed control to fastest setting and wipe with a damp cloth. For heavily soiled conveyors, turn conveyor speed control to fastest setting and wipe with a light abrasive pad.
- 3) Turn main power switch to the OFF position.
- 4) After the unit cools, remove interior crumb tray (as shown below) and clean. Slide crumb tray back into position.
- 5) Wipe exterior surface of unit.



DO NOT OPERATE UNIT WITHOUT CRUMB TRAY IN PLACE AS THIS CAUSES OVERHEATING IN THE CONTROL BOX.

**OPERATOR'S MANUAL
HOLMAN CONVEYOR TOASTERS
MODELS DT14-PS AND DT14-TH**

PAGE 5

NOTE: Lubrication of a drive chain with a graphite-based lubricant is required as periodic maintenance. Call the Holman Cooking Equipment Factory Service Team at 1-800-807-9045 for details.

TROUBLESHOOTING GUIDE

A. UNIT WILL NOT HEAT, CONVEYOR BELT WILL NOT MOVE.

- 1) Make sure air intake on bottom of unit is clean.
- 2) Be sure the main circuit breaker is switched to the **ON** position.
- 3) Check to see if the toaster is plugged in and all controls are turned to the **ON** position.

B. UNIT HAS HEAT ONLY ON ONE SIDE, CONVEYOR BELT TURNS PROPERLY.

- 1) Call the **Holman Cooking Equipment Factory Service Team at 1-800-807-9054** as heating element may need replacing.

C. CONVEYOR BELT DOES NOT TURN, UNIT HEATS PROPERLY.

To check for mechanical binding:

- 1) **DISCONNECT UNIT FROM POWER SOURCE.**
- 2) When conveyor belt has cooled, move the conveyor belt by hand to check for mechanical binding. If conveyor moves freely, call the **Holman Cooking Equipment Factory Service Team at 1-800-807-9054**.
- 3) Remove the crumb tray(s) and check for obstructions in the conveyor belt.
- 4) If no obstructions are found, remove the three screws holding side panel in place (facing front of unit, remove the left side panel to access the lower conveyor drive system and the right side panel to access the upper conveyor drive system).
- 5) Check drive chain to make sure it is not jammed on the drive sprocket on the motor or the driven sprocket on the drive shaft.
- 6) If the drive chain is not jammed and there are no obstructions to the conveyor belt, call the **Holman Cooking Equipment Factory Service Team at 1-800-807-9054** as the speed control or drive motor may need servicing.

**OPERATOR'S MANUAL
HOLMAN CONVEYOR TOASTERS
MODELS DT14-PS AND DT14-TH**

PARTS LIST

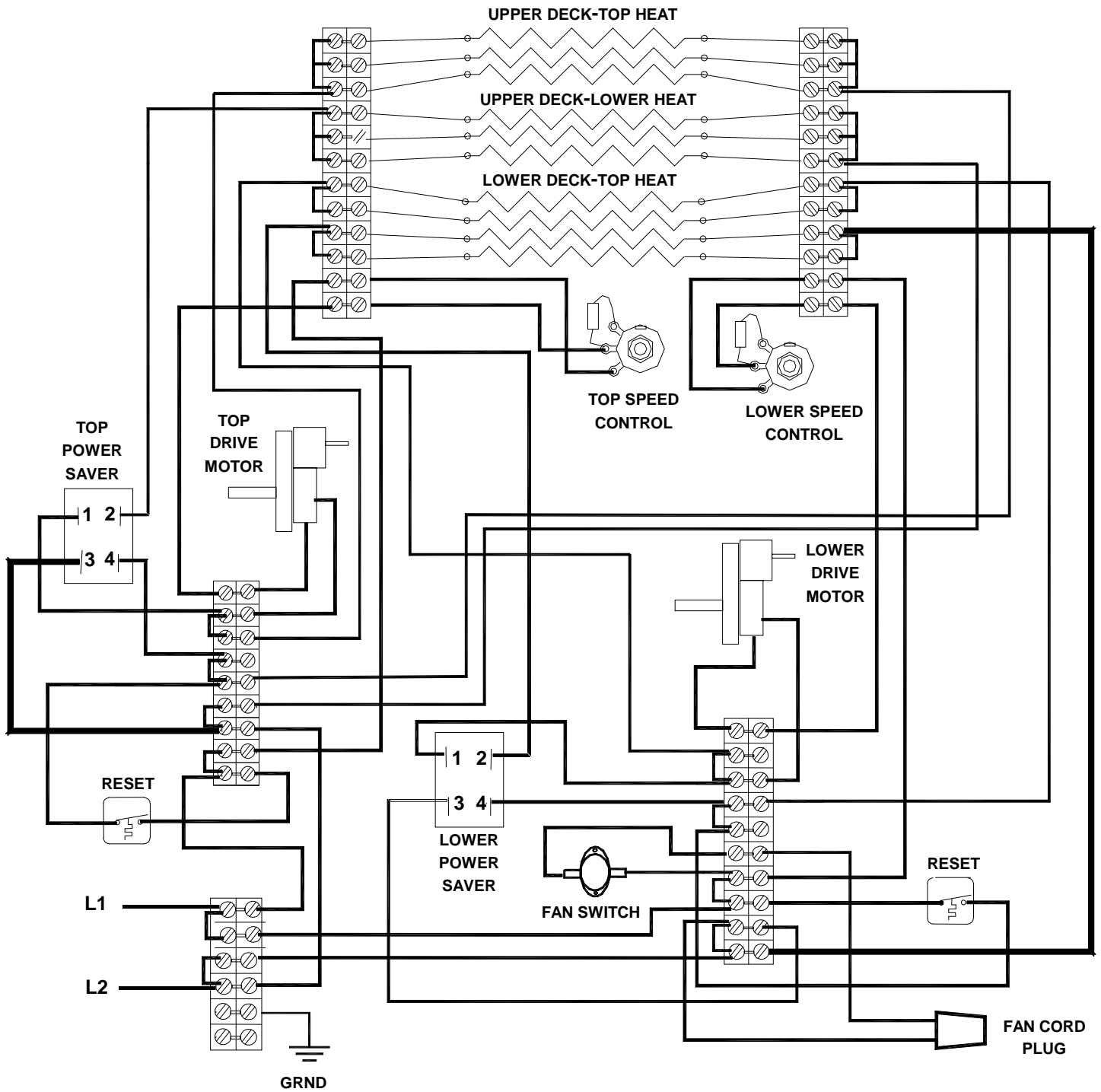
PART NO.	DESCRIPTION	QTY.	PART NO.	DESCRIPTION	QTY.
HM-100805	Top Cover	1	2R-200562	Fan Grill	1
<i>HEATER TUBES – SEE HEATER TUBE PART LIST</i>			2A-202905	Idler Shaft	2
HM-401543	Retainer, Heater Tubes	4	HM-402787	Crumb Tray	2
HM-160004	Conveyor Belt	2	HM-400899	Heat Shutter	1
HM-100999	Back Panel	1	HM-401089	Guard, Extension	2
HM-DT0002	Side Panel, Right	1	HM-401022	Toast Chute	1
HM-DT0001	Side Panel, Left	1	SP-118042	Speed Control	2
ZZ-150022	Drive Chain (13½") Lower	1	2R-200703	Knob, Speed Control	2
2P-150033	Drive Chain (23½") Upper	1	2P-200700	Bearing, Extension	4
2P-200645	Sprocket, Drive Motor	2	2R-200709	LEG, 1"	4
2P-200643	Sprocket, Drive Shaft	2	2E-200566	High Limit Rest Switch	1
2A-202902	Drive Shaft Assembly	2	2E-200551	Power Saver Switch	2
HA-112261	Rear Bearing	4	2R-200703	Knob, power saver	2
2U-200509	Drive Motor, (Lower)	1	2E-200574	Fan Switch	1
2U-200504	Drive Motor, (upper)	1	2E-Z10865	Cordset 6/3 6-50P 6F	1
2U-200577	Fan Motor	1	2E-Z11879	Cordset 6/3 6-50P Hubbell, Tim Horton	1
HM-100316	Control Box Cover	1	2E-200554	TERM BLOCK, 12 POS, LG	2
			2E-200487	BLOCK TERMINAL 6 STA. 50AMP	1
Fuses Added October 2007					
2E-Z5680	Fuse, 5A - Class G	4	2E-Z5681	Fuseholder	2

HEATER TUBE PART LIST

PART NO.	DESCRIPTION	QTY.
HM-198038	HEATER TUBE QUARTZ, UPPER CHAMBER, 208V	6
HM-198039	HEATER TUBE QUARTZ, LOWER CHAMBER, 208V	4
HM-198069	HEATER TUBE QUARTZ, UPPER CHAMBER, 240V	6
HM-198070	HEATER TUBE QUARTZ, LOWER CHAMBER, 240V	4

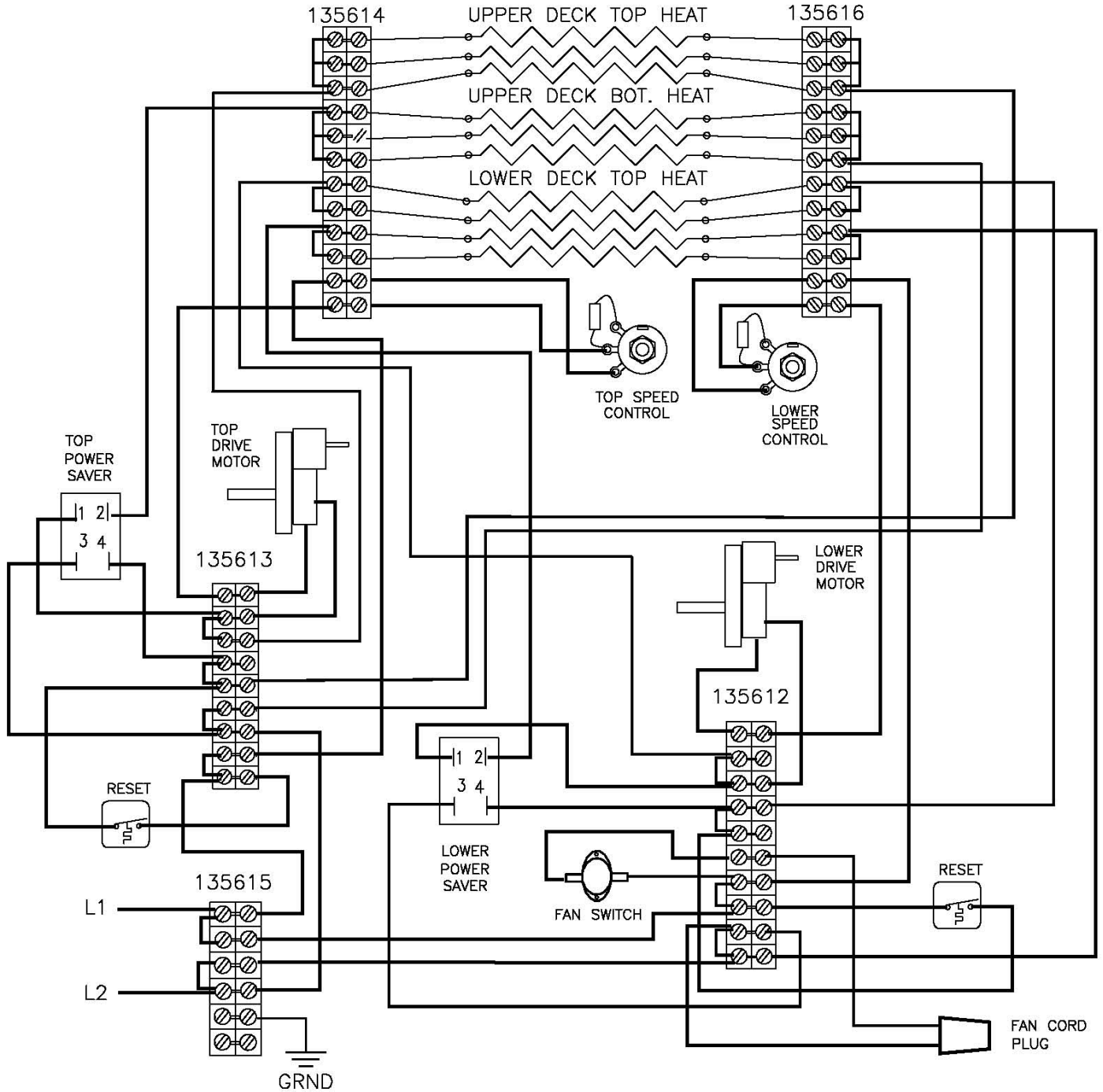
**OPERATOR'S MANUAL
HOLMAN CONVEYOR TOASTERS
MODELS DT14-PS AND DT14-TH**

WIRING DIAGRAM DT14-PS



**OPERATOR'S MANUAL
HOLMAN CONVEYOR TOASTERS
MODELS DT14-PS AND DT14-TH**

WIRING DIAGRAM DT14-TH



*Includes Attached Cordset