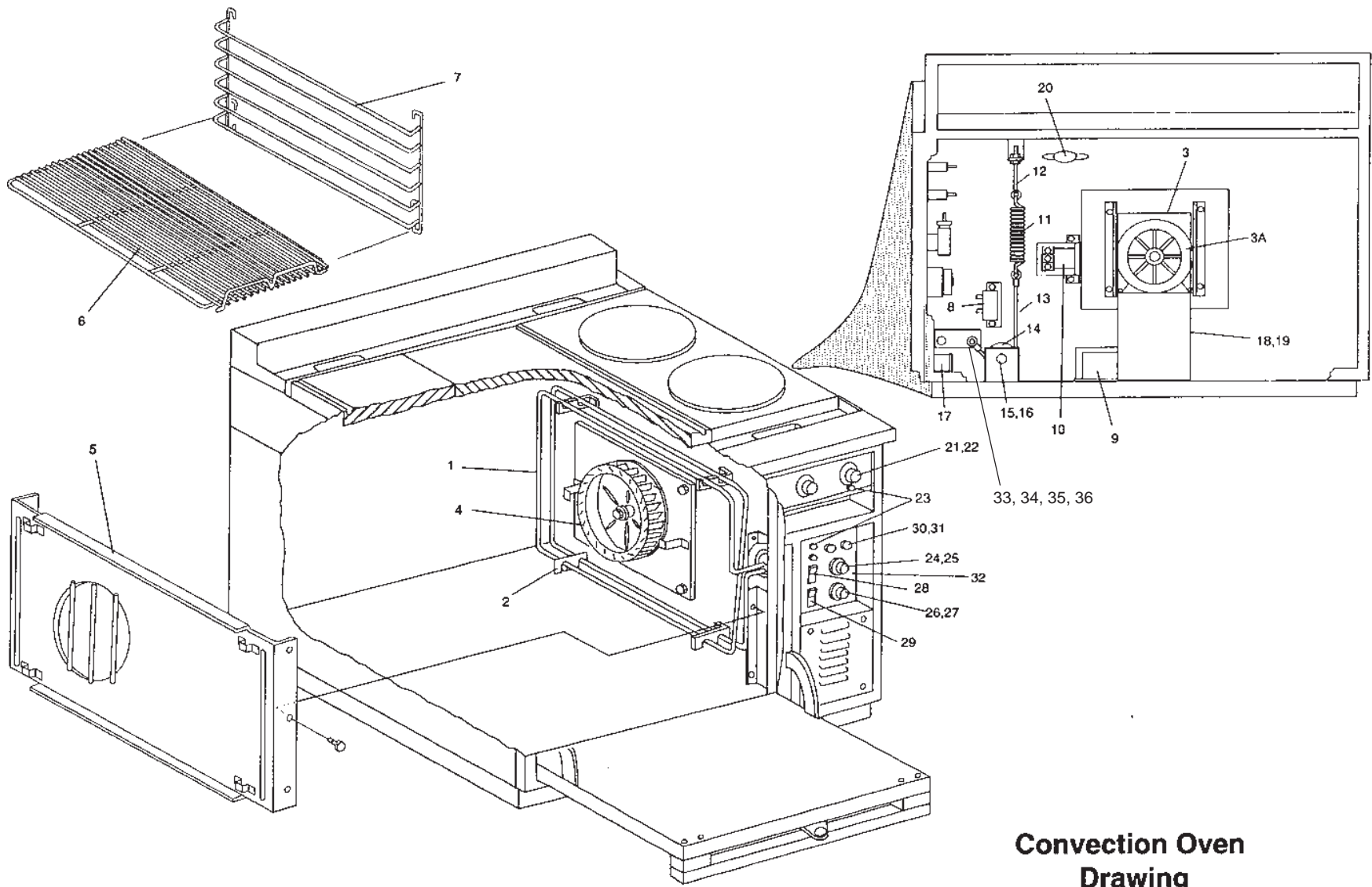


Section 4 - PARTS LIST

RH36 & MH36			
OVERALL PARTS LIST			
Item No	Qty	Part No	Description
1	1	N2-7600083	12x24 PLATE CMPLT - RIGHT DRAIN 208V
		N2-7600084	12X24 PLATE CMPLT - RIGHT DRAIN 240V
		N2-7600086	12X24 PLATE CMPLT - RIGHT DRAIN 480V
		N2-7600087	12X24 PLATE CMPLT - LEFT DRAIN 208V
		N2-7600088	12X24 PLATE CMPLT - LEFT DRAIN 240V
		N2-7600090	12X24 PLATE CMPLT - LEFT DRAIN 480V
		N2-7600074	12X24 PLATE CMPLT - CENTER 208V
		N2-7600075	12X24 PLATE CMPLT - CENTER 240V
		N2-7600077	12X24 PLATE CMPLT - RIGHT DRAIN 480V
		N2-7601872	12X24 PLATE CMPLT - DRAIN BOTH SIDES 208V (USED ON MODELS RH3607 & RH36D7)
		N2-7601873	12X24 PLATE CMPLT - DRAIN BOTH SIDES 240V (USED ON MODELS RH3607 & RH36D7)
		N2-7601875	12X24 PLATE CMPLT - DRAIN BOTH SIDES 480V (USED ON MODELS RH3607 & RH36D7)
		2	1
2	N2-20A2G8		12X24 PLATE ONLY RIGHT OR LEFT
1	N2-20A2G9		12X24 PLATE ONLY CENTER
3	3	2T-3004281	THERMOSTAT
		2R-2100094	T-STAT KNOB 250°F (121°C) - 850°F (454°C)
4	3	2N-F706A8703	ELEMENT 208V
		2N-F706A8731	ELEMENT 240V
		2N-F706A8729	ELEMENT 480V
5	6	N2-20A2G1	ELEMENT CLAMP PLATE
6	3	1O-8500079	INSULATION
7	3	N2-F706A107	BAFFLE
8	4	2C-20A2G7	LATCH SCREW
9	4	N2-20A2G6	LATCH PLATE
10	4	2A-20A1G7	LATCH PIN
11	4	N2-34284	CLIP, RETAINING 12X24 HOTPLATE
12	2	N2-20A1G8	KEY STRIP
13	6	N2-F706A1013	BULB CLAMP
14	27	2C-F716A8803	CAP SCREW 1/4-20 X 3/8
15	30	2C-F706A8809	WASHER 1-1/4"
16	12	2C-2001184	STUD 1/4-20 X 1-5/8
17	12	2A-F706A8811	SPACER
18	30	2C-F706A8805	WASHER 1/4"
19	24	2C-F706A8807	HEX NUT 1/4-20, BRASS
20	1/3	N2-34797	TWIN PLATE ASSEMBLY 208V, 2600W
		N2-33850	TWIN PLATE ASSEMBLY 240V, 2600W
		N2-34278	TWIN PLATE ASSEMBLY 480V
21	2/6	2N-1132B8701	SOLID RND HEATING UNIT 208V ECO-2600W
		2N-1132B8703	SOLID RND HEATING UNIT 240V ECO-2600W
		2N-34127	SOLID RND HEATING UNIT 480V ECO-2600W
22	1/3	N2-7610114	TWIN PLATE PANEL
23	1/3	N2-1132B8901	RETAINER BAR MOUNTING BRACKET
24	2/6	N2-34285	RETAINING CLIP
25	1/3	N2-30999	BOTTOM. PLATE

Item No	Qty	Part No	Description
26	1	N2-20G1A32	36X24 GRIDDLE PLATE CMPLT 208V
		N2-20G1A302	36X24 GRIDDLE PLATE CMPLT 240V
		N2-20G1A306	36X24 GRIDDLE PLATE CMPLT 480V
27	1	N2-20G1A36	36X24 GRIDDLE PLATE ONLY
28	4	2T-3004257	THERMOSTAT
		2R-2100059	T-STAT KNOB 150°F (66°C) - 450°F (232°C)
29	4	2N-7D1E1	ELEMENT 208V
		2N-7D1E29	ELEMENT 240V
		2N-7D1E28	ELEMENT 480V
30	4	N2-20G1A37	ELEMENT CLAMP PLATE
31	4	N2-20G1A38	ELEMENT BAFFLE
32	24	2C-F706A8802	WASHER 11/32 X 1-1/4
33	48	2C-F706A8807	HEX NUT, BRASS 1/4-20
34	24	2A-F706A8811	SPACER
35	28	2C-F706A8805	WASHER 1/4"
36	4	N2-7002270	THERMOSTAT BULB CLAMP
37	4	1O-8500079	INSULATION
38	1	N2-7603538	24X24 GRIDDLE PLATE CMPLT 208V
		N2-7603539	24X24 GRIDDLE PLATE CMPLT 240V
		N2-7603541	24X24 GRIDDLE PLATE CMPLT 480V
39	1	N2-7603536	24X24 GRIDDLE PLATE ONLY
40	2	2T-3004257	THERMOSTAT
		2R-2100059	T-STAT KNOB 150°F (66°C) - 450°F (232°C)
41	4	N2-F706A1013	THERMOSTAT BULB CLAMP
42	2	2N-F706A8703	ELEMENT 208V
		2N-F706A8731	ELEMENT 240V
		2N-F706A8729	ELEMENT 480V
43	4	N2-20A2G1	ELEMENT CLAMP PLATE
44	26	2C-B301A8817	HEX NUT 1/4-20
45	20	2C-F706A8809	WASHER 1-1/4" OD
46	8	2A-F706A8811	SPACER
47	16	2C-F706A8805	WASHER 1/4"
48	2	1O-8500079	INSULATION
49	2	N2-F706A1017	BAFFLE
50	1	N2-33617	WELDMENT, EXT. PANEL LEFT HAND
51	1	N2-33618	WELDMENT, EXT. PANEL RIGHT HAND
52	1	N2-32849	REAR PANEL
53	1	2E-30905	TERMINAL BLOCK, 3-POLE
54	1	N2-33616	PLATE COVER
55	1	N2-7007442	KNOCKOUT PLATE
56	1	N2-MALG06F	KIT, MARINE LEG 6" SS ADJ.
57	1	N2-7007992	ACCESS PANEL
58	2	N2-7601840	GREASE DRAWER, HANDLE & ASSEMBLY
59	1	N2-32691	LATCH, MARINE
60	2	N2-34743	LATCH, GREASE DRAWER
		N2-34741	RECIEVER FOR LATCH
61	2	2A-33621	DOOR BUSHING
62	4	N2-7610657	WELDMENT, SPOUT GREASE

RH36 & MH36 CONTINUED			
Item No	Qty	Part No	Description
63	4	2I-2700090	GASKET, SPOUT GREASE
64	1	N2-33693	ASSEMBLY, DOOR
65	1	N2-32692	PLATE, LATCH
66	2	2A-34081	SPACER, STEPPED - MARINE LATCH
67	1	N2-32572	ASSEMBLY, HANDLE DOOR
68	2	2A-3103164	SPACER, DOOR & DRAWER HANDLE
69	4	2V-2000320	HANDLE SCREWS 10/32 X 3-12
70	2	2V-3000058	BLACK HANDLE PLUG
NI	--	2M-31795	DECAL RH36C3, RH36D3 CONTROL PANEL
		2M-31796	DECAL RH36C4, RH36D4 CONTROL PANEL
		2M-31794	DECAL RH36C2&C6, RH36D2&D6 CONTROL PANEL
		2M-31793	DECAL RH36C1&C7, RH36D1&D7 CONTROL PANEL
		N2-30926	CONTROL PANEL RH36D4
		N2-31623	CONTROL PANEL RH36C3

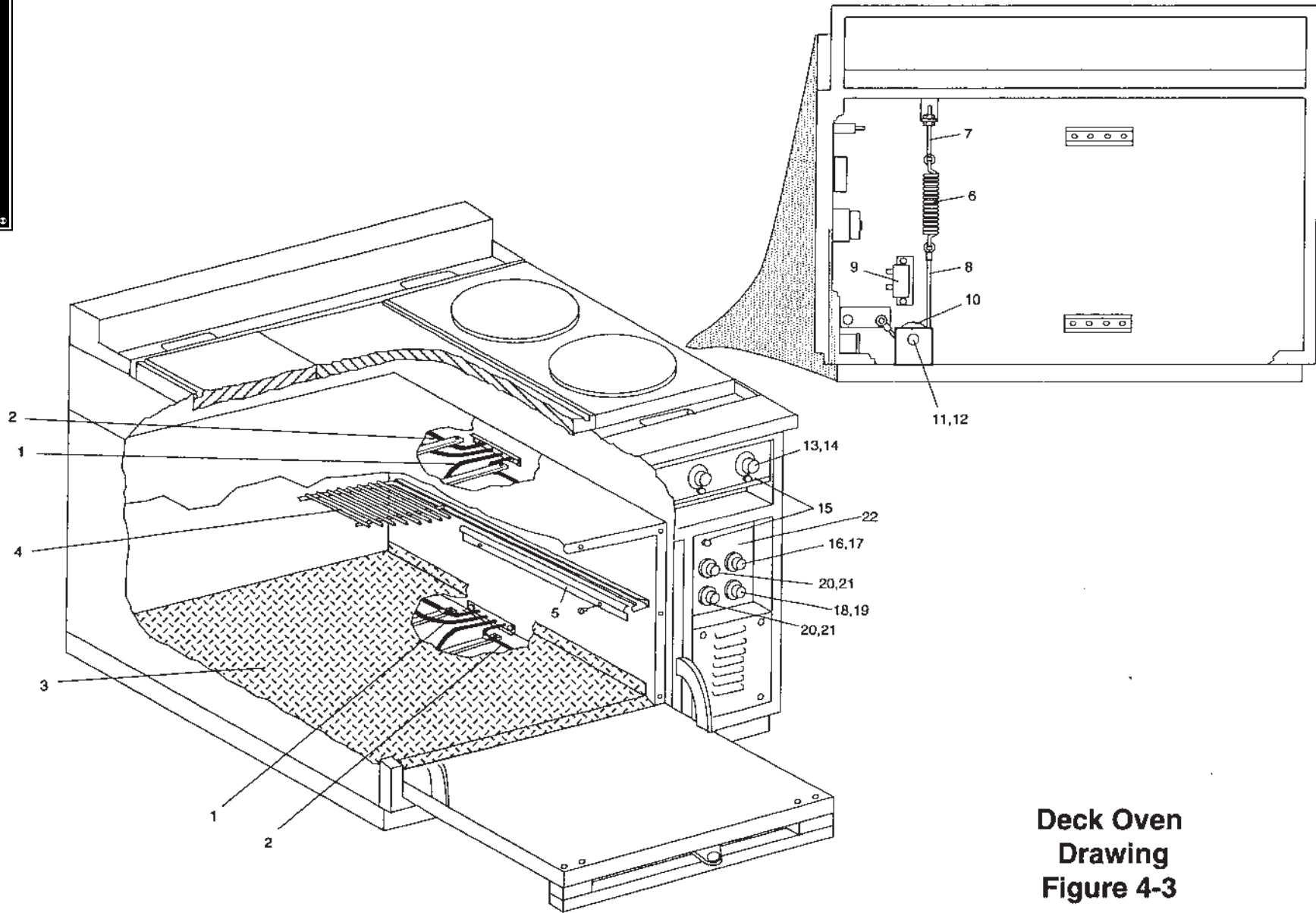


**Convection Oven
Drawing
Figure 4-2**
IL2012

Section 4 - PARTS LIST

RH36 & MH36			
CONVECTION OVEN PARTS LIST			
Item No	Qty	Part No	Description
1	1	2N-3027A8701	ELEMENT 6000W-208V
		2N-3027A8711	ELEMENT 6000W-240V
		2N-3027A8709	ELEMENT 6000W-480V
2	4	N2-3027A3083	ELEMENT SUPPORT
3	1	N2-30919	MOTOR BLOWER & ASSEMBLY 240V-480V
3A	1	2U-3002761	BLOWER MOTOR ONLY 208V-240V
4	1	2R-3103902	BLOWER WHEEL
5	1	N2-7610513	ELEMENT COVER, BLOWER BAFFLE
6	3	N2-3102541	SHELF ASSEMBLY
7	2	2B-3102540	SIDE RACK
8	1	2E-30905	TERMINAL BLOCK, 3-POLE
9	1	2E-28082-0010	TRANSFORMER 480V ONLY
10	1	2E-34401	CONTACTOR 208V-240V COIL
11	1	2P-30368	DOOR SPRING
12	1	2C-43685	EYE BOLT
13	1	N2-30369	CABLE ASSEMBLY
14	1	2R-7007809	PULLEY
15	1	2A-30359	AXLE
16	2	2C-3102937	RETAINER RING
17	1	2E-3003770	MICRO SWITCH
18	1	N2-32762	MOTOR DUCT
19	1	2I-34404	MOTOR DUCT SEAL
20	1	2E-30519	HIGH LIMIT SENSOR
21	AR	2E-32941	SWITCH 3HT
22	AR	2R-33365	KNOB SWITCH
23	AR	2E-33413	SIGNAL LIGHT, GREEN 250V
		2E-33414	SIGNAL LIGHT, AMBER 250V
		2E-33415	SIGNAL LIGHT, WHITE 250V
		2E-33417	SIGNAL LIGHT, GREEN 480V
		2E-33418	SIGNAL LIGHT, AMBER 480V
		2E-33419	SIGNAL LIGHT, WHITE 480V
24	1	2T-2662A8701	THERMOSTAT, C.O. OVEN 150F (66C)-450F (232C)
25	1	2R-A710E8771	THERMOSTAT KNOB, C.O. OVEN 150°F (66°C) - 450°F (232°C)
26	1	2P-3004536	TIMER
27	1	2R-2100088	OVEN TIMER KNOB
28	1	2E-33436	SWITCH, ROCKER, DP/ST
29	1	2E-33437	SWITCH, ROCKER DP/DT
30	2	2E-1455A0341	FUSE HOLDER ASSEMBLY 480V
		2E-1455A0339	FUSE HOLDER ASSEMBLY 240V
31	2	2E-1455A8793	FUSE 240V-10A
		2E-1455A8794	FUSE 480V-10A
32	1	2M-91783	DECAL CONTROL PANEL (not shown)
33	AR	34700	BOLT
34	AR	3024A3141	BUSHING
35	AR	18A1S-2	COTTER PIN
36	AR	21176-0001	LOCK NUT

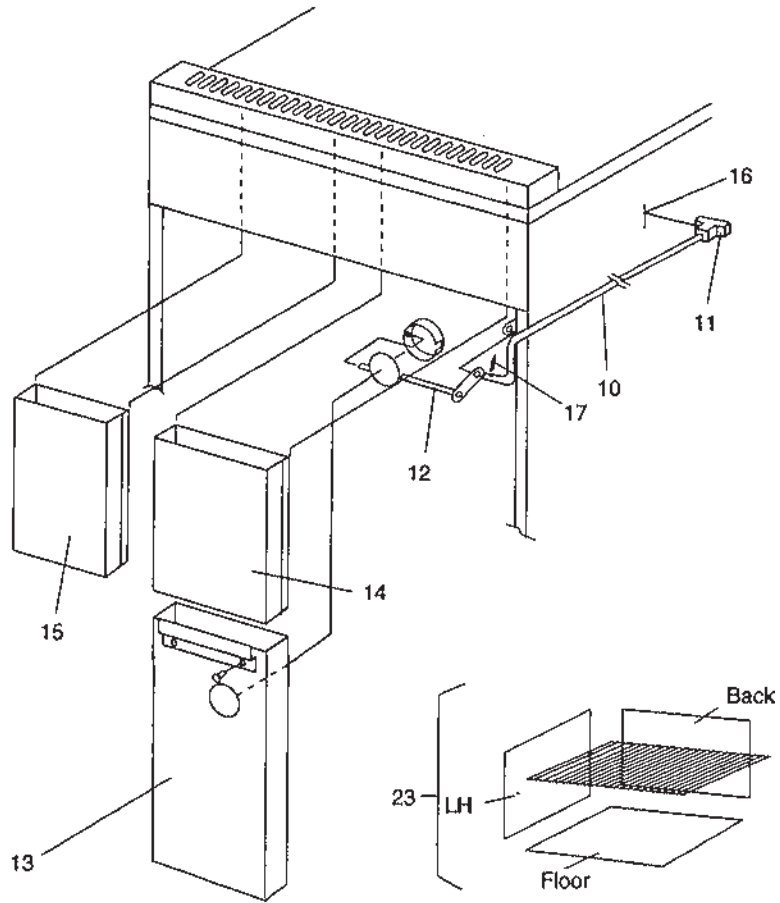
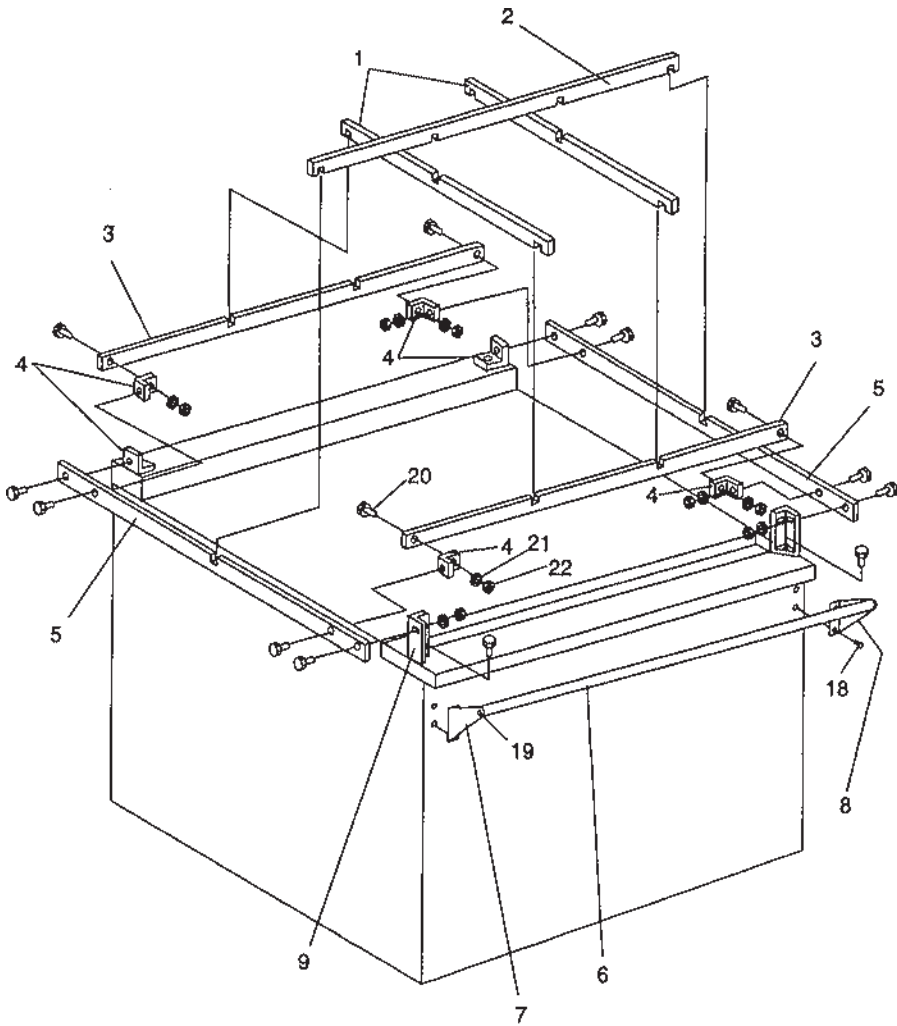
SUPPORTED BY SOUTHBEND



**Deck Oven
Drawing
Figure 4-3**

Section 4 - PARTS LIST

RH36 & MH36			
DECK OVEN PARTS LIST			
Item No	Qty	Part No	Description
1	2	2N-3001761	INNER ELEMENT 1500W-208V
		2N-3001762	INNER ELEMENT 1500W-240V
		2N-3001764	INNER ELEMENT 1500W-480V
2	2	2N-3001765	OUTER ELEMENT 1500W-208V
		2N-3001766	OUTER ELEMENT 1500W-240V
		2N-3001768	OUTER ELEMENT 1500W-480V
3	1	N2-30692	OVEN DECK
4	1	N2-30372	OVEN SHELF
5	1	N2-3024A3217	GUARD THERMOSTAT BULB
6	1	2P-30368	SPRING, DOOR
7	1	2C-43685	EYEBOLT
8	1	N2-30369	CABLE ASSEMBLY
9	1	2E-30905	TERMINAL BLOCK, 3POLE
10	1	2ER-7007809	SHEAVE, 3/16 DIA. CABLE (PULLEY)
11	1	2A-30359	AXLE
12	2	2C-3102937	RETAINER RING
13	2/6	2E-32941	SWITCH 3HT
14	2/6	2R-33365	KNOB SWITCH
15	AR	2E-33413	SIGNAL LIGHT, GREEN 250V
		2E-33414	SIGNAL LIGHT, AMBER 250V
		2E-33417	SIGNAL LIGHT, GREEN 480V
		2E-33418	SIGNAL LIGHT, AMBER 480V
16	1	2T-3004238	THERMOSTAT DECK OVEN
17	1	2R-A710E8739	THERMOSTAT KNOB DECK OVEN 200°F-550°F
18	1	2P-3004536	TIMER
19	1	2R-210088	KNOB, TIMER
20	2	2E-32941	SWITCH 3HT
21	2	2R-33365	KNOB SWITCH
22	1	2M-31784	DECAL CONTROL PANEL DECK OVEN



**Vents & Marine Rails
Drawing
Figure 4-4**

RH36 & MH36			
VENTS & MARINE RAILS PARTS LIST			
Item No	Qty	Part No	Description
1	2	N2-33194	RAIL, SEA FRONT TO BACK LOOSE
2	1	N2-33195	RAIL, SEA LEFT TO RIGHT LOOSE
3	2	N2-20A2C77	RAIL, SEA FIXED RIGHT LEFT
4	6	N2-20A2C76	ANLE, SEA RAIL SECURITY
5	2	N2-20A2C75	RAIL, SEA FIXED FRONT BACK
6	1	N2-20A2C82	RAIL, HAND
7	1	N2-7001408	BRACKET, RAIL LIT MARINE
8	1	N2-7001409	BRACKET, RAIL RT MARINE
9	2	N2-7004267	POST, SEEA RACKS
10	1	2V-7000071	ROD, VENT RA
11	1	2R-2100053	KNOB, VENT "T" PULL/OPEN
12	1	N2-7610705	WELDMENT, FLAP VENT
13	1	N2-30412	WELDMENT, FLUE - OVEN SECTION
14	1	N2-30415	WELDMENT, FLUE - TOP SECTION
15	1	N2-32792	WELDMENT, FLUE - TOP SECTION
16	1	2A-2002305	VENT KNOB PIN
17	1	2C-18A12	COTTER PIN
18	4	2C-2000552	SCREW 5/16-18 X 3/4
19	2	2C-4113A8801	SCREW FHM 1/4-20 X 1/2
20	16	2C-2281	SCREW 5/16-18 X 7/16
21	16	2C-4039A8803	LOCKWASHER 5/16
22	12	2C-1411D8815	HEX NUT 5/16-18
23	1	N2-34518	STAINLESS STEEL LINER KIT