

BT120 Supplement for TP44/TP120 Owner's Operating Manual

This supplement should be used with the TP44/TP120 Owner's Operating Manual (P/N 3102563, Rev. B, 6/96 OR Rev. B V2, 1/99)

This supplement provides information specific to the Model BT120 toaster. Any information provided in the manual listed above that is NOT updated here also applies to the Model BT120 toaster.

INTRODUCTION

- *Warranty (page i)*

The following warranty is in effect for current-production BT120 toasters.

NO QUIBBLE LIMITED WARRANTY

TOASTMASTER, HEREINAFTER REFERRED TO AS THE SELLER, WARRANTS EQUIPMENT MANUFACTURED BY IT TO BE FREE FROM DEFECTS IN MATERIAL AND WORKMANSHIP FOR WHICH IT IS RESPONSIBLE. THE SELLER'S OBLIGATION UNDER THIS WARRANTY SHALL BE LIMITED TO REPLACING OR REPAIRING, AT SELLER'S OPTION, WITHOUT CHARGE, ANY PART FOUND TO BE DEFECTIVE AND ANY LABOR AND MATERIAL EXPENSE INCURRED BY SELLER IN REPLACING OR REPAIRING SUCH PART. SUCH WARRANTY SHALL BE LIMITED TO THE ORIGINAL PURCHASER ONLY AND SHALL BE EFFECTIVE FOR A PERIOD OF ONE YEAR FROM DATE OF ORIGINAL INSTALLATION, OR 18 MONTHS FROM DATE OF PURCHASE, WHICHEVER IS EARLIER; PROVIDED THAT TERMS OF PAYMENT HAVE BEEN FULLY MET.

As part of Toastmaster's "no quibble" warranty, all in-warranty Toastmaster products that require service, are to be serviced **on site**.

The warranty period for Accu-Miser griddles shall be 24 months from the date of installation or 30 months from the date of purchase, whichever is earlier.

Normal maintenance functions, including lubrication, cleaning, or customer abuse, are not covered by this "no quibble" warranty.

Seller shall be responsible only for repairs or replacements of defective parts performed by Seller's authorized service personnel. Authorized service agencies are located in principal cities throughout the contiguous United States, Alaska, and Hawaii. This warranty is valid in the 50 United States and is void elsewhere unless the product is purchased through Middleby International with warranty included.

The foregoing warranty is exclusive and in lieu of all other warranties, expressed or implied. There are no implied warranties of merchantability or of fitness for a particular purpose.

The foregoing shall be Seller's sole and exclusive obligation and Buyer's sole and exclusive remedy for any action including breach of contract or negligence. In no event shall Seller be liable for a sum in excess of the purchase price of the item. Seller shall not be liable for any prospective or lost profits of Buyer.

SECTION 1 - DESCRIPTION

- *Description (pages 1-2)*

Each of the four slots on the Model BT120 toaster has a single heating element. This allows "cut-side only" toasting of food products such as bagels and English muffins. The slots can accommodate food products up to 1-1/8" (28.6mm) in width.

- *Specifications (page 3)*

The specifications for the Model BT120 toaster are identical to those provided for the Model TP120 toaster, EXCEPT for the following:

<i>Capacity:</i>	4 bagel/muffin halves per load 300 bagel halves/hour OR 240 English muffins/hour
<i>Electrical:</i>	120V (15 Amp), 2 Pole, 3 Wire, 1.8KW

SECTION III - OPERATION

- *Operation Procedure (page 8)*

CAUTION

DO NOT OPERATE TOASTER UNLESS THE CRUMB TRAY IS IN PLACE.

- *Products to Toast (page 9)*

Use your Model BT120 toaster for toasting bagels, English muffins, and other food products that require "one-side" toasting.

- *Operation Capacity (page 9)*

The Model BT120 toaster (120V) will toast up to 300 bagel halves OR 240 English muffins per hour.

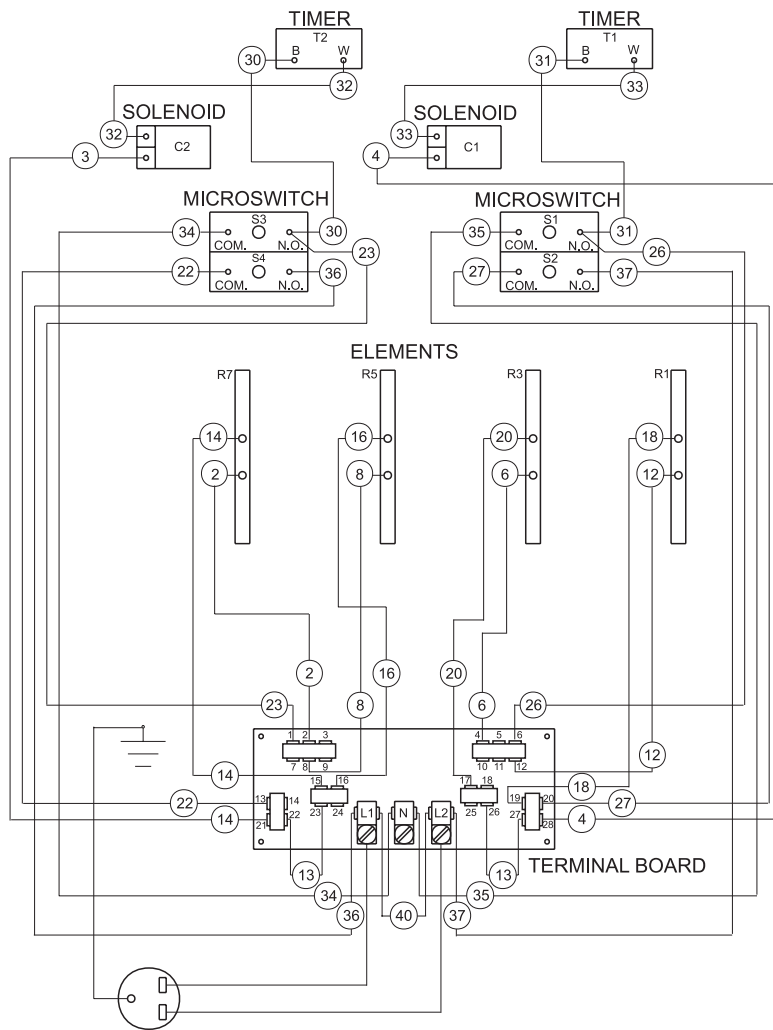
SECTION IV - PARTS LIST

Current BT120 parts information is available in the *Model TP44/TP120/BT120 Parts Manual*, P/N 39297. The Parts Manual is available on-line at www.middleby.com or through your local authorized service agent.

SECTION V - SCHEMATICS

Refer to the schematic and wiring diagram shown below.

WIRING DIAGRAM, BT120



SCHEMATIC, BT120

