

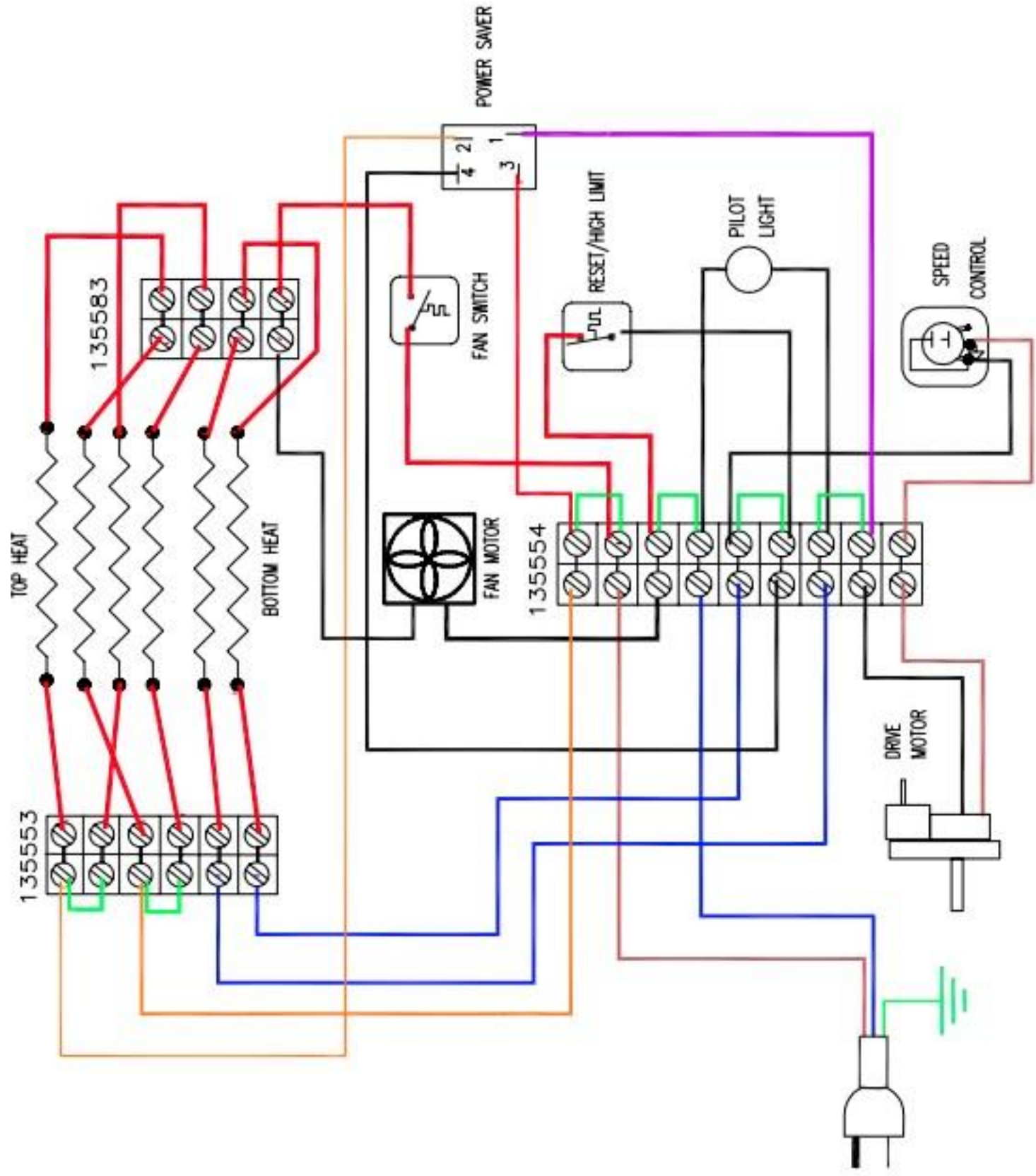
BF700 BAGEL TOASTER (DUALIT)

240 VOLT, WIRED SERIES

H:\Y2KWDIAG\060018

060018

REV	DESCRIPTION	DATE	CHECKED	APPROVED
A	DELETED CONTROL BLOCK/ADDED PLUG	02/05/02	SM	ECO #3330

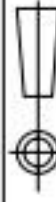


MASTER COPY APPROVED BY: _____

ENG. _____ DATE _____

QUAL. _____ DATE _____

PROD. _____ DATE _____



Third Angle Projection

All dimensions in decimal inches
All angles 90°, unless specified
All angles +/- 1°

Tolerance .X +/- .060
.XX +/- .030
.XXX +/- .015



Holman Cooking Equipment, Inc.
90 Industrial Park Road
P.O. Box 880
Saco, Maine 04072
Phone # (207)-282-1569

Drawn by: S.Macomber
Date: 02/29/00

Approved By: G.Cole
Date: 02/29/00

Scale: FULL
Sheet 1 of 1

Part Description

WIRING DIAGRAM
BF700 DUALIT

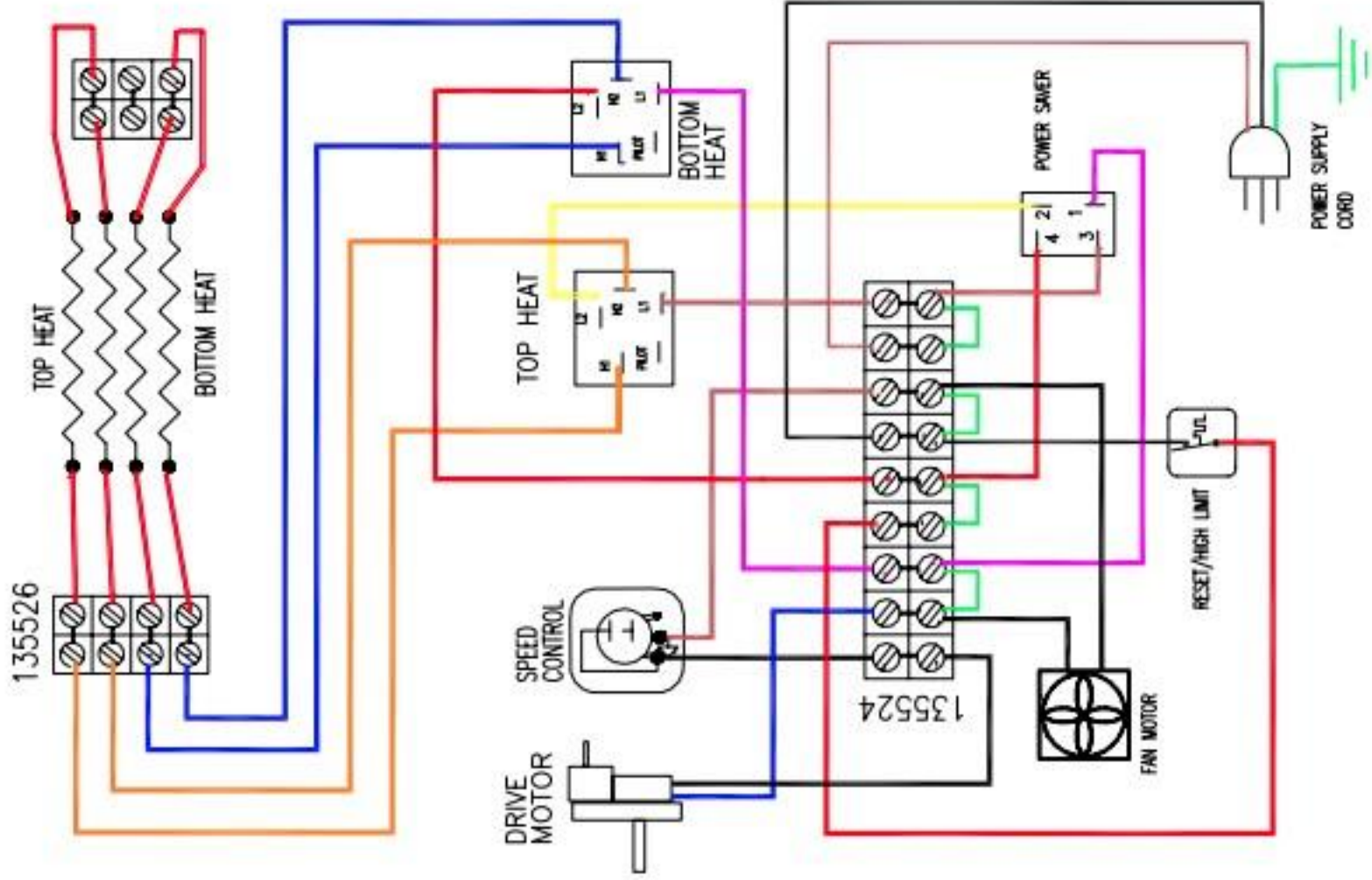
Size A
Finish -----
Part No. 060018

TT300H, TT450, TT550,
 TT700, TT900H, TT960
 #060076

(ALL NON CE UNITS)

TT300H, 120 VAC 50/60Hz, 1.7 kW
 TT450H, 120 VAC 50/60Hz, 1.7 kW
 TT550H, 208/220/240 VAC 50/60Hz, 2.8 kW
 TT700, 208/220/240 VAC 50/60Hz, 2.8 kW
 TT900H, 208/220/240 VAC 50/60Hz, 3.2 kW
 TT960, 208/220/240 VAC 50/60Hz, 3.2 kW
 SINGLE PHASE, WIRED SERIES

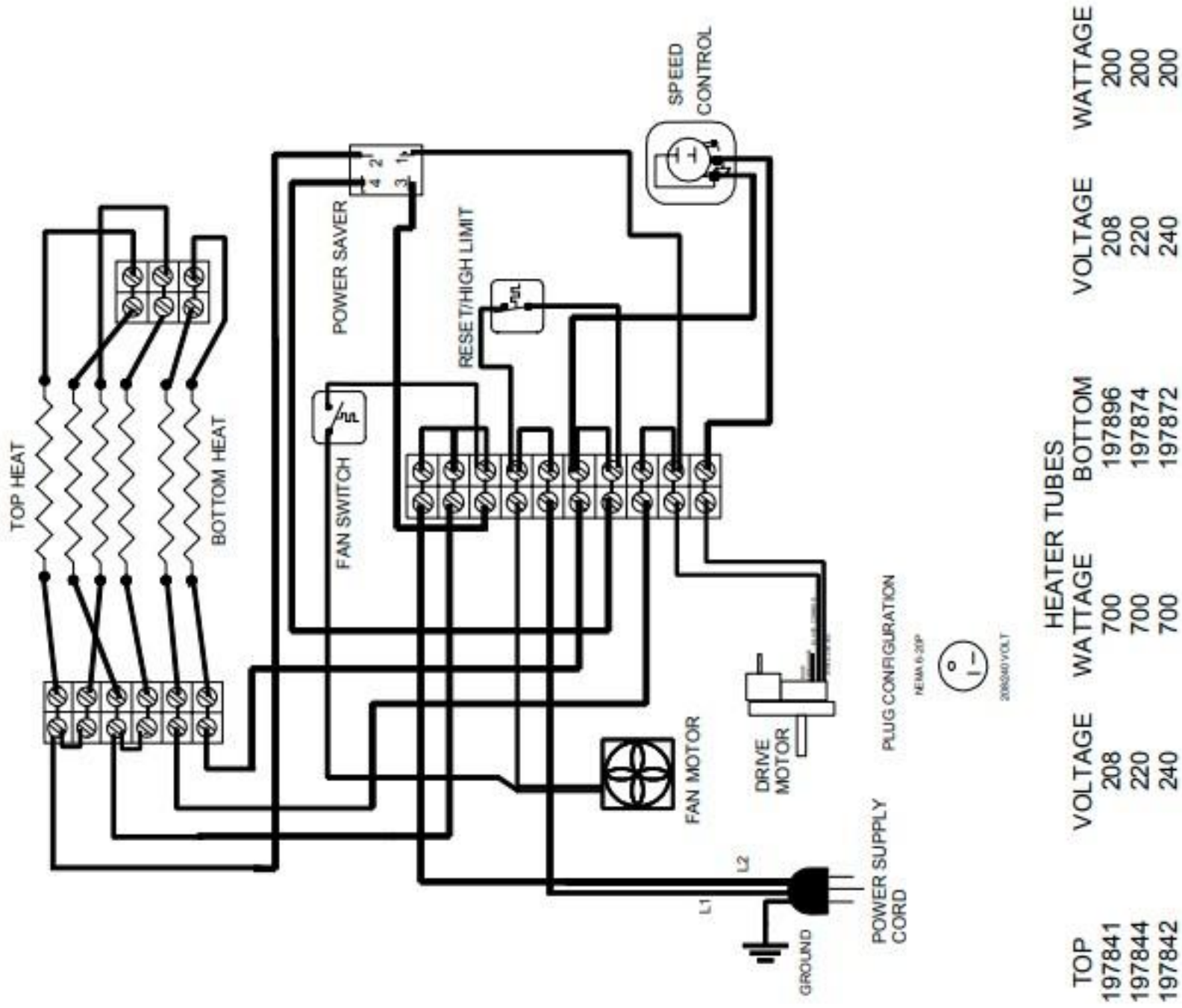
REV	DESCRIPTION	DATE	CHECKED	APPROVED
X	X	X	X	X



MASTER COPY APPROVED BY: _____
 ENC. _____ DATE _____
 QUAL. _____ DATE _____
 PROD. _____ DATE _____

HOLMAN
 Holman Cooking Equipment, Inc.
 90 Industrial Park Road
 P.O. Box 880
 Saco, Maine 04072
 Phone # (207)-282-1589

	Part Description
Third Angle Projection	WIRE HARNESS TT SERIES
All dimensions in decimal inches All angles 90°, unless specified All angles +/- 1°	Size A Finish ----- Part No. 060076
Tolerance X +/- .060 .XX +/- .030 .XXX +/- .015	Approved By: G.Cole Date: 5/30/00
Drawn by: S.Macomber Date: 5/30/00	Scale: FULL Sheet 1 of 1



TOP
 197841
 197844
 197842

VOLTAGE
 208
 220
 240

WATTAGE
 700
 700
 700

HEATER TUBES

BOTTOM
 197896
 197874
 197872

VOLTAGE
 208
 220
 240

WATTAGE
 200
 200
 200

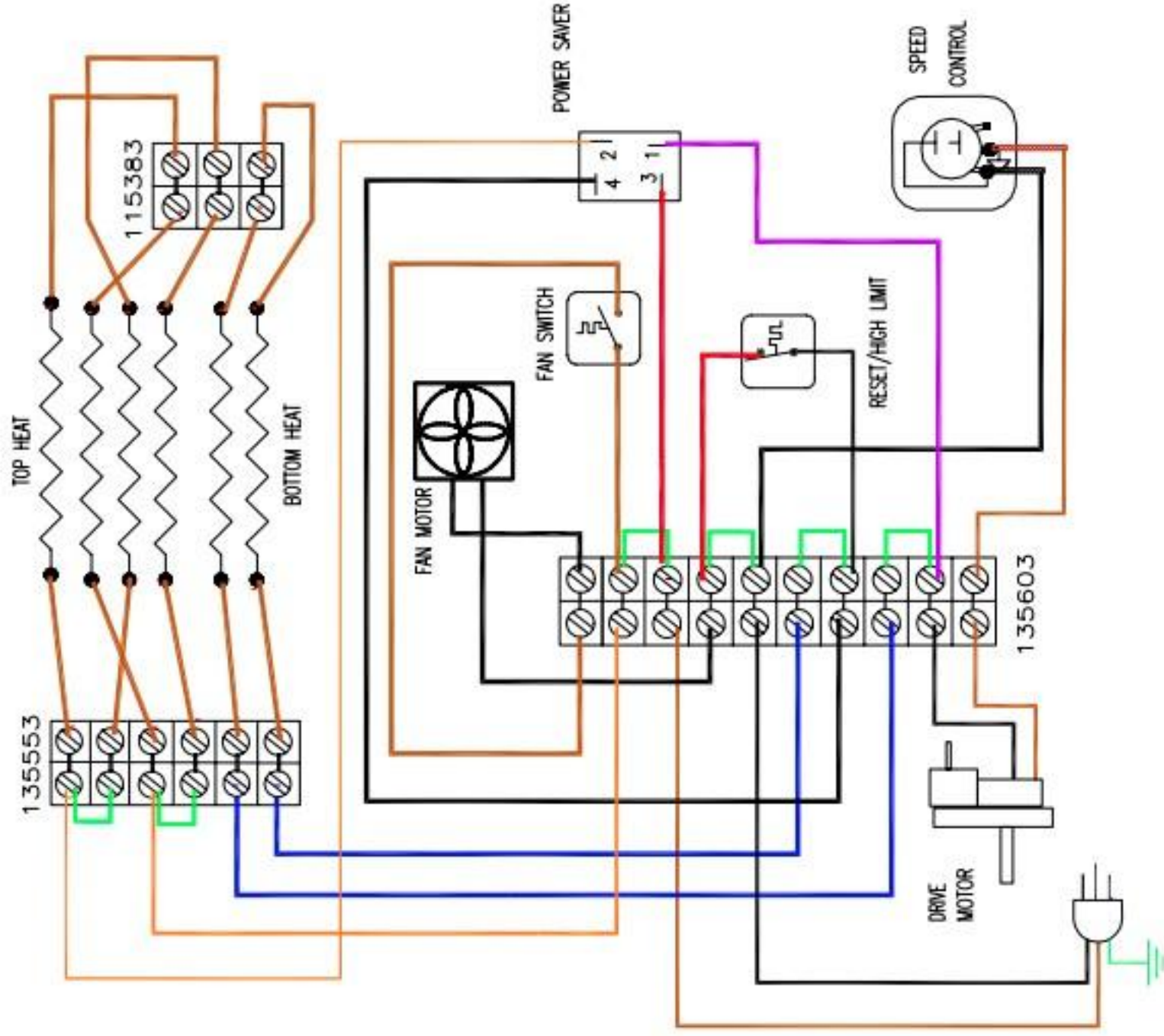
BF GEN II

WIRE DIAGRAM 208/220/240 VOLT, WIRED SERIES

060020

060365

REV	DESCRIPTION	DATE	CHECKED	APPROVED
A	RELEASED	X	X	ECO/999
B	DEL 700 DIS. AND MVD SPEED CTRL WIRE	8/2/00	SM	ECO/1352



MASTER COPY APPROVED BY:

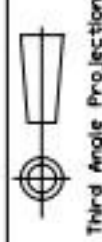
ENG. _____ DATE _____

QUAL. _____ DATE _____

PROD. _____ DATE _____



Holman Cooking Equipment, Inc.
 90 Industrial Park Road
 P.O. Box 880
 Saco, Maine 04072
 Phone # (207)-282-1589



Third Angle Projection

All dimensions in decimal inches
 All angles 90°, unless specified
 All angles +/- 1°

Tolerance .X +/- .060
 .XX +/- .030
 .XXX +/- .015

Drawn by: S. Macomber

Date: 6/8/00

Part Description

WIRING DIAGRAM

BF GEN II

Size

A

Finish

Approved By: G. Cole

Date: 6/8/00

Part No.

060020

Scale:

FULL

Sheet

1 of 1