

**OPERATOR'S MANUAL
HOLMAN CONVEYOR TOASTERS**

BAGEL FAST MODEL BF700

**FOR SERVICE INFORMATION
U.S. AND CANADA CALL: TOLL FREE 1-800-225-3958
24 HOURS/DAY 7 DAYS/WEEK**

TABLE OF CONTENTS

UNCRATING AND INSPECTION	PAGE 1
ASSEMBLY AND INSTALLATION	PAGE 1
POWER SAVER	PAGE 1
SPRING LOADED FRONT BEARING	PAGE 1a
COOKING PROCEDURES	PAGE 2
CLEANING PROCEDURES	PAGE 3
TROUBLESHOOTING GUIDE	PAGE 4, 5
MAINTENANCE PROCEDURES	PAGE 6, 7
PARTS LIST	PAGE 8

DRAWINGS

OPTIONAL FEED TRAY	PAGE 2
HEAT REFLECTOR/CRUMB TRAY	PAGE 3
DRIVE SYSTEM	PAGE 4
HEATER TUBE INSTALLATION	PAGE 6
COMPONENT ARRANGEMENT	PAGE 8
WIRING DIAGRAM	PAGE 9
REINSTALLING TOP COVER	PAGE 10

**OPERATOR'S MANUAL
HOLMAN CONVEYOR TOASTERS
MODEL BF700**

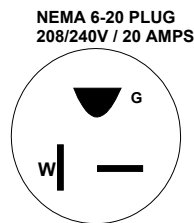
UNCRATING AND INSPECTION

Unpack unit and components from container. Remove all visible packing material, inspect unit for damage. If damage is discovered, file a claim immediately with the carrier that handled the shipment.

ASSEMBLY AND INSTALLATION

The 208 volt and 240 volt units are shipped fully assembled and ready to plug into a standard 20 amp outlet. Removal or replacement of the power supply cord and plug will result in the voiding of the warranty. For assistance, consult with the factory service team at 1-800-225-3958.

FIG. 1 PLUG CONFIGURATION



WARNING: MAKE SURE ALL INPUT POWER IS **OFF** BEFORE INSTALLING/REMOVING ANY PARTS.

WARNING: BE ABSOLUTELY SURE THE GROUND CONNECTION FOR THE RECEPTACLE IS PROPERLY WIRED. NEVER CONNECT UNIT TO POWER WITHOUT PROPER GROUND CONNECTIONS. IMPROPER GROUND MAY RESULT IN SEVERE INJURY OR FATALITY.

WARNING: BEFORE INSTALLING UNIT(S), CHECK WITH LOCAL POWER COMPANY TO DETERMINE ACTUAL VOLTAGE AT JOB SITE. NEVER PLUG A 208 VOLT UNIT INTO 240 VOLTS OR A 240 VOLT UNIT INTO 208 VOLTS.

POWER SAVER SWITCH

Your Bagel Fast toaster is equipped with a rotary power saver switch.

FULL POWER- When in this position your unit is at Full Power and ready to use. Adjust the Top and Bottom Variable Heat Controls and Conveyor Belt Speed Control to your desired settings.

OFF-ROTARY- Two off positions are provided so that a single rotation to either direction will result in the unit being turned OFF.

STANDBY- The standby position reduces the power to the unit to 1/4, and therefore saves 75% of the energy consumption. In this position your unit will stay warm and reduce the reheat time when switched to Full Power to 20 to 30 seconds.

REVISED 06/05/00 MJC
BF700DOC.

**OPERATOR'S MANUAL
HOLMAN CONVEYOR TOASTERS
MODEL BF700**

SPRING LOADED FRONT BEARING ASSEMBLY

Your Holman Conveyor Toaster is equipped with a spring-loaded front bearing assembly as shown below in fig. 1. The spring-loaded bearing assembly keeps the conveyor belt at a constant tension as the unit heats up and cools down. The conveyor belt is set to the proper tension when the white Teflon bushing is flush with the end of the extension as shown in fig. 2.

Fig. 1

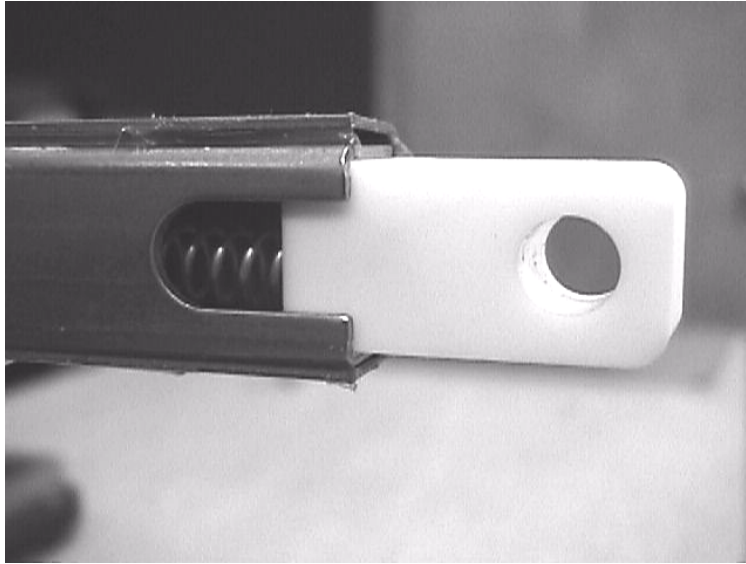
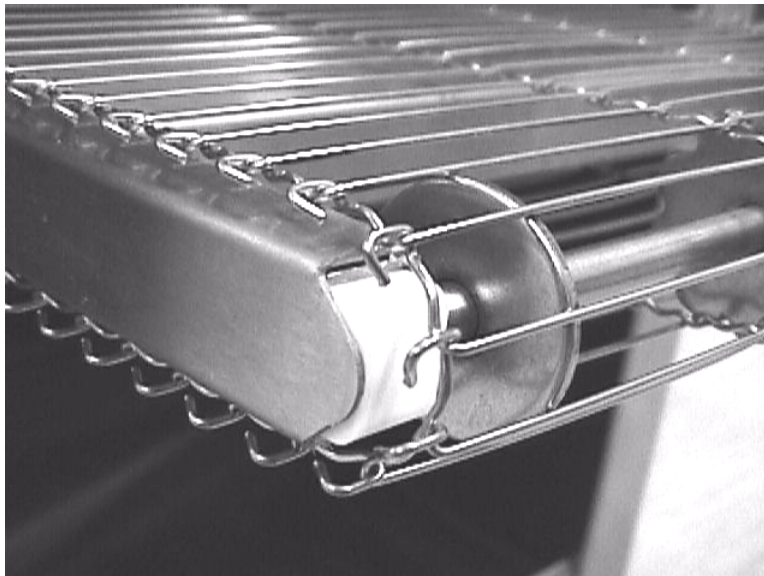


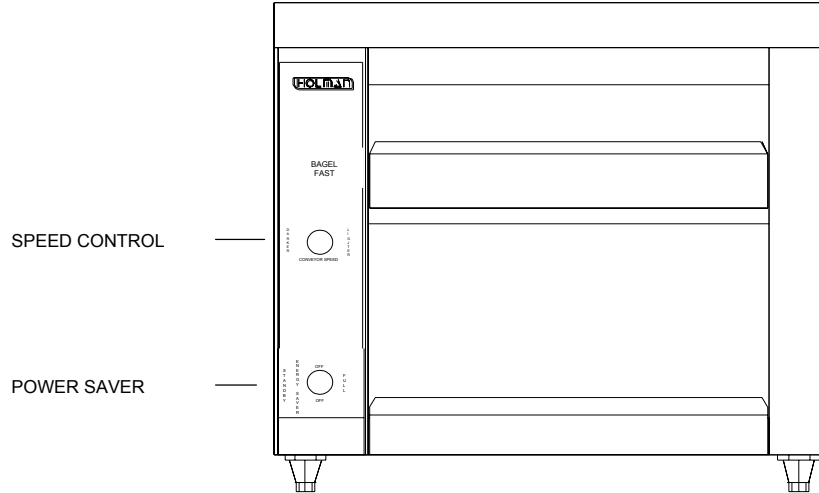
Fig. 2



**OPERATOR'S MANUAL
HOLMAN CONVEYOR TOASTERS
MODEL BF700**

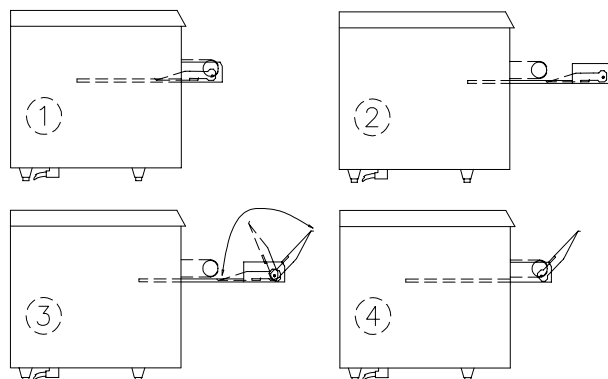
COOKING PROCEDURES

A. PRODUCT TOASTING



1. Turn the rotary power saver switch to the full power position.
2. Allow warm up time of 5 to 10 minutes.
3. Test with a bagel half.
 - a. If toasting is too light, turn conveyor speed control counterclockwise to a slower speed.
 - b. If toasting is too dark, conveyor speed control clockwise to a faster speed.

OPTIONAL FEED TRAY



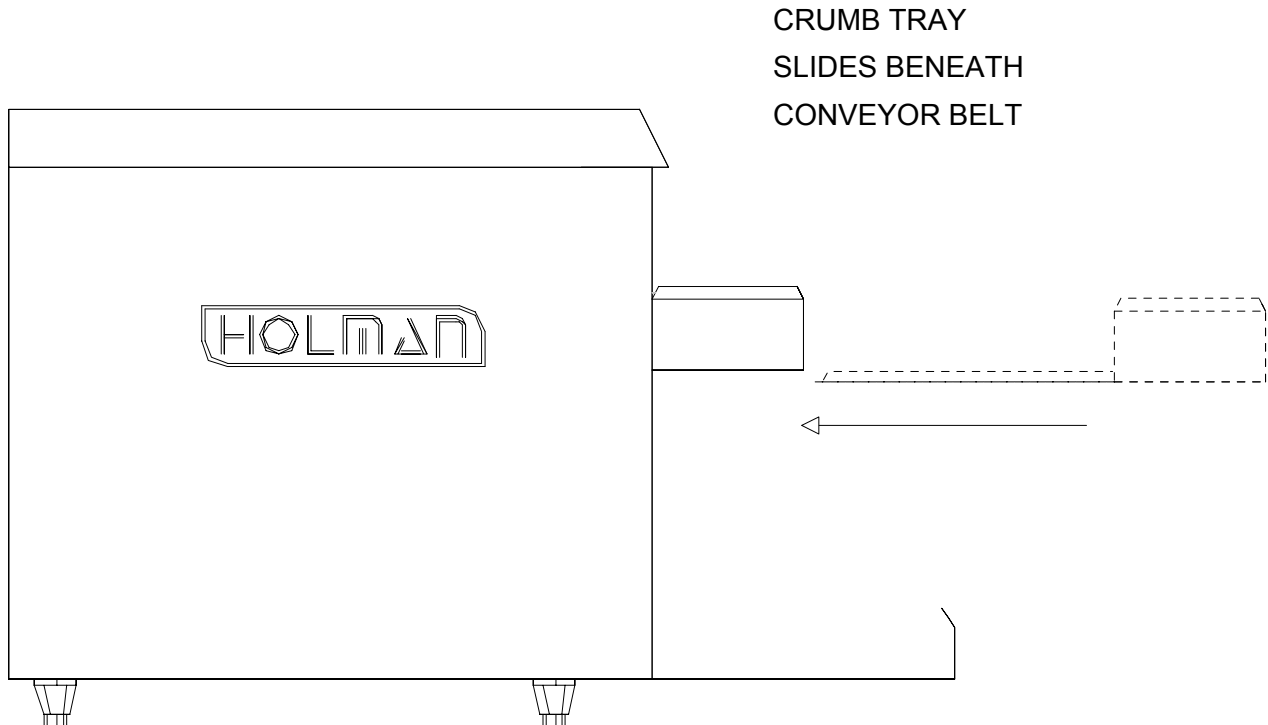
- 1). Optional Feed Tray is Stored Inside Of Crumb Tray.
- 2). Slide Crumb Tray out To Expose Feed Tray.
- 3). Flip Feed Tray Into Position.
- 4). Slide Crumb Tray Back Into Unit Before Operation.

REVISED 06/05/00 MJC
BF700DOC.

**OPERATOR'S MANUAL
HOLMAN CONVEYOR TOASTERS
MODEL BF700**

CLEANING PROCEDURES

1. Clean air intake on bottom of unit.
2. For lightly soiled conveyor belts, turn conveyor speed control to fastest setting and wipe with a damp cloth. For heavily soiled conveyors, turn conveyor speed control to fastest setting and wipe with a light abrasive pad.
3. Turn main power switch to the OFF position.
4. After the unit cools, remove interior crumb tray (as shown below) and clean. Slide crumb tray back into position. **DO NOT OPERATE UNIT WITHOUT CRUMB TRAY IN PLACE AS THIS CAUSES OVERHEATING IN THE CONTROL BOX**
5. Wipe exterior surface of unit.



NOTE: LUBRICATION OF DRIVE CHAIN WITH A GRAPHITE BASED LUBRICANT IS REQUIRED AS PERIODIC MAINTENANCE. CALL HOLMAN FACTORY SERVICE DEPARTMENT FOR DETAILS.

**OPERATOR'S MANUAL
HOLMAN CONVEYOR TOASTERS
MODEL BF700**

TROUBLESHOOTING GUIDE

UNIT WILL NOT HEAT, CONVEYOR BELT WILL NOT MOVE.

1. Make sure air intake on bottom of unit is clean.
2. Be sure the main circuit breaker is switched to the **ON** position.
3. Check to see if the toaster is plugged in and all controls are turned to the **ON** position.

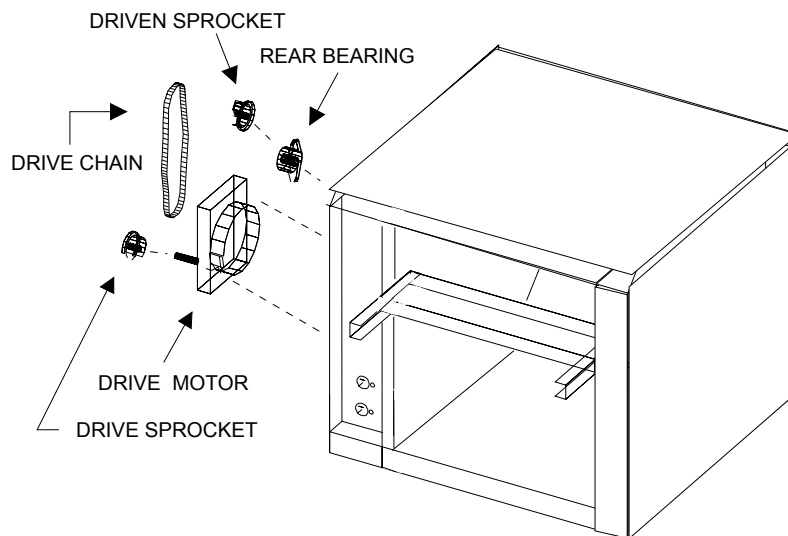
B. UNIT HAS HEAT ONLY ON ONE SIDE, CONVEYOR BELT TURNS FREELY.

1. Call Holman Factory Service Department at **1-800-225-3958** as heating element may need replacing.

C. CONVEYOR BELT DOES NOT TURN, HEATER TUBES GET HOT.

To check for mechanical binding:

1. DISCONNECT UNIT FROM POWER SOURCE.
2. Remove screws (2 ea.) holding top cover in place at the rear of the unit.
3. Remove top cover (see page 10).
4. Remove each screw holding side panels in place and lift them up and out.
5. Loosen the four screws which hold the drive motor in place.
6. Slide the motor up allowing the drive chain to be removed from the sprockets.
7. Move the conveyor belt by hand to check for mechanical binding. If conveyor moves freely, call the Holman Factory Service Department at 1-800-225-3958 as the drive motor and/or speed control may need replacing.
8. Refer to page 10 for top cover reinstallation.



**OPERATOR'S MANUAL
HOLMAN CONVEYOR TOASTERS
MODEL BF700**

TROUBLE SHOOTING GUIDE (CON'T)

D. CONVEYOR BELT RUNS AT ONE SPEED REGARDLESS OF SPEED CONTROL SETTING.

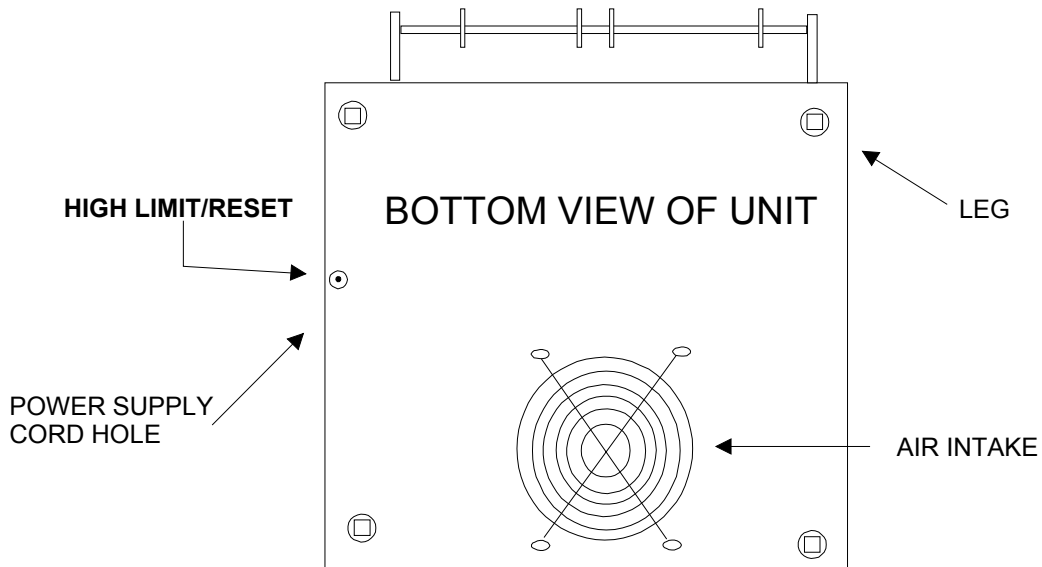
1. Call Holman Factory Service Department at **1-800-225-3958** as speed control should be replaced.

E. UNIT WILL NOT HEAT, CONVEYOR BELT MOVES PROPERLY.

1. Check to see if the Power Saver Switch has been turned to the FULL POWER position.
2. Push heat limit switch on front of control box as shown below. If this reactivates the heater tubes, see HEAT LIMIT SWITCH in the following section.

HEAT LIMIT SWITCH

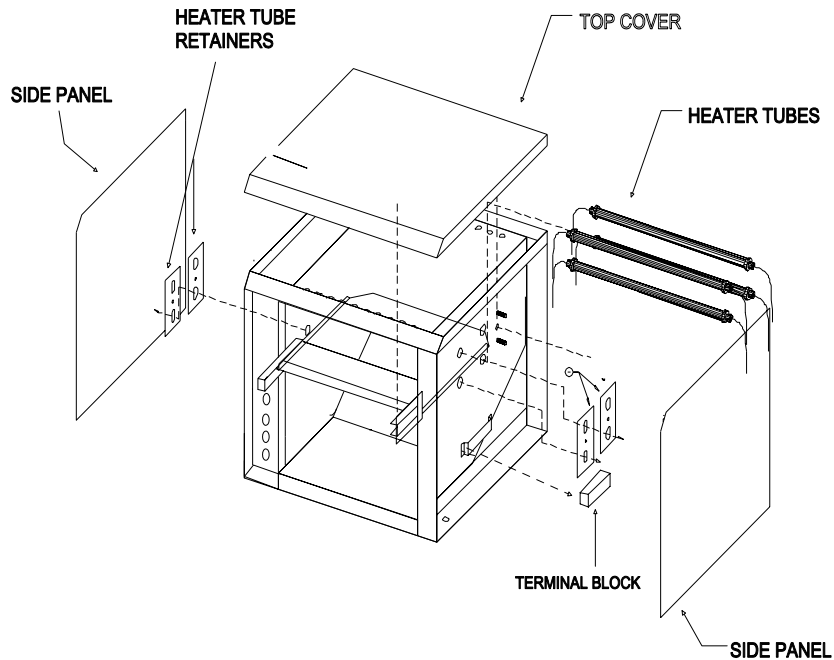
Your Bagel Fast conveyor toaster is equipped with an automatically activated Heat Limit Switch which interrupts the heater tube connections if the ambient temperature in the control box exceeds 190F (88C). This heat limit switch can be reset manually by pushing the red button on the bottom left of the unit as shown below. **NOTE: Air intake must be free of obstructions.**



**OPERATOR'S MANUAL
HOLMAN CONVEYOR TOASTERS
MODELBF700**

MAINTENANCE PROCEDURES

- A. CONVEYOR BELT AND DRIVE MOTOR DO NOT REQUIRE LUBRICATION.
- B. REPLACING HEATER TUBES (as below)
1. DISCONNECT UNIT FROM POWER SOURCE.
 2. Remove top cover (see page 10).
 3. Remove each screw holding side panels in place and lift them up and out.
 4. Remove heater tube wire from terminal block connection, keeping top and bottom wires separate.
 5. Remove heater tube retainers by removing retaining screws with washer.
 6. Gently, pull defective heater tube out of unit.
 7. Gently, guide the new heater tube through the same hole the defective heater tube came out through.
 8. Replace heater tube retainers, reconnect heater tube wires to terminal block and install side panels.
 9. Refer to page 10 for reinstallation of top cover.

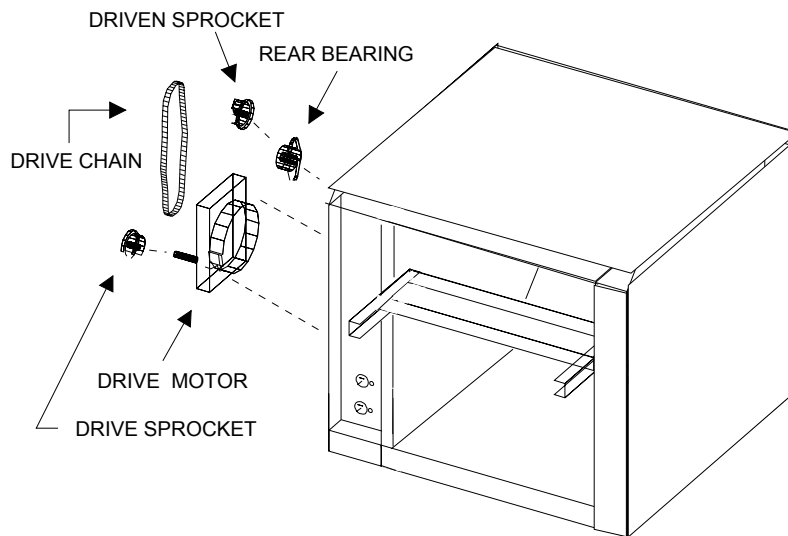


**OPERATOR'S MANUAL
HOLMAN CONVEYOR TOASTERS
MODEL BF700**

MAINTENANCE PROCEDURES (CON'T)

- C. REPLACING CONVEYOR BELT DRIVE MOTOR
1. DISCONNECT UNIT FROM POWER SOURCE.
 2. Remove screws (2ea.) holding top cover in place at the rear of the unit.
 3. Remove top cover (see page 10).
 4. Remove each screw holding side panels in place and lift them up and out.
 5. Remove sprocket from motor shaft.
 6. Remove the wire from terminal block connecting the drive motor to internal wiring.
 7. Remove screws holding motor in place.
 8. Put new motor in place and attach loosely with mounting screws.
 9. Replace sprocket on motor shaft.
 10. Slide motor until the drive chain has about 1/8" slack when lightly pushed at the center of its top open run.
 11. Tighten screws to secure motor.
 12. Rewire leads same as removed in step 5.
 13. Replace side panel and control box cover.
 14. Replace top cover (see page 10).

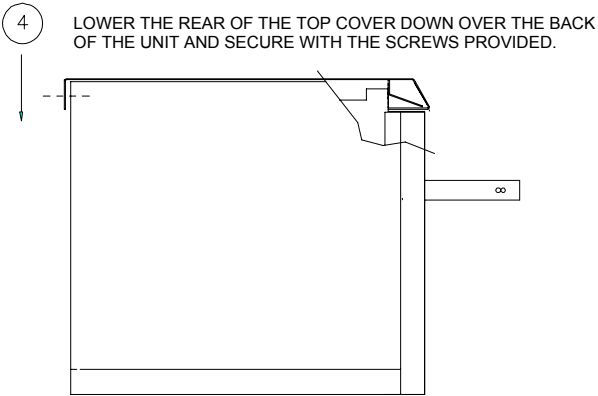
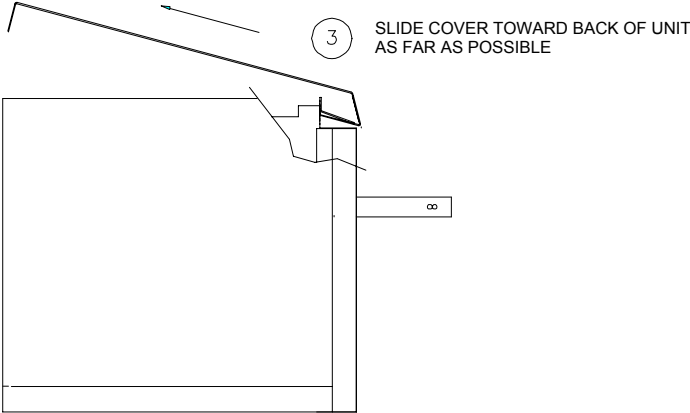
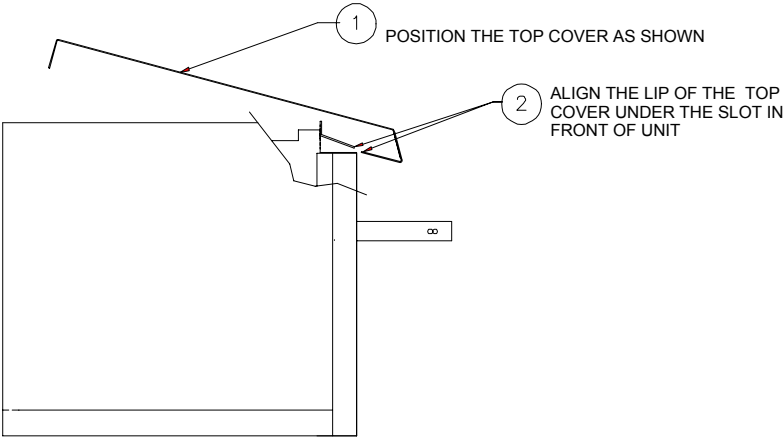
IF ASSISTANCE IS REQUIRED FOR THIS OR ANY OTHER PROCEDURE IN THIS MANUAL CALL HOLMAN FACTORY SERVICE DEPARTMENT AT **1-800-225-3958**.
24 HOURS/DAY 7 DAYS/WEEK



LUBRICATION OF DRIVE CHAIN WITH A GRAPHITE BASED LUBRICANT IS REQUIRED AS PERIODIC MAINTENANCE. CALL HOLMAN FACTORY SERVICE DEPARTMENT FOR DETAILS.

**OPERATOR'S MANUAL
HOLMAN CONVEYOR TOASTERS
TURBOTOAST SERIES**

INSTRUCTIONS FOR REINSTALLING THE TOP COVER





Star
Manufacturing
International Inc.

10 Sunnen Dr.
St. Louis, MO 63143

Phone: (314) 781-2777
FAX: (314) 781-2714

Service Kit Instructions

CONVEYOR BELT REMOVAL PROCEDURES

For units without Master Links



1) Turn off unit and allow to cool.



2) WARNING - DISCONNECT UNIT FROM POWER SUPPLY OR TURN OFF AT WALL BREAKER BEFORE PROCEEDING TO NEXT STEP.

3) Remove unload tray by unscrewing the two thumb screws on either side of the exit tray. Lift the tray up and away from the oven. Remove the Load Up and Unload Trays. (Fig. 1)

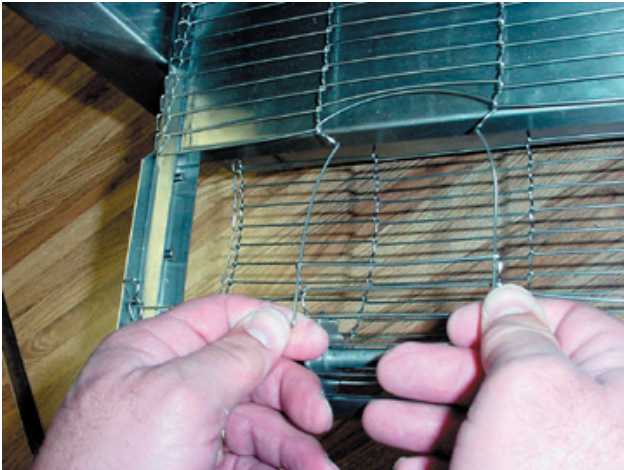
4) Remove Crumb Trays, Burn Guards & load-up trays.



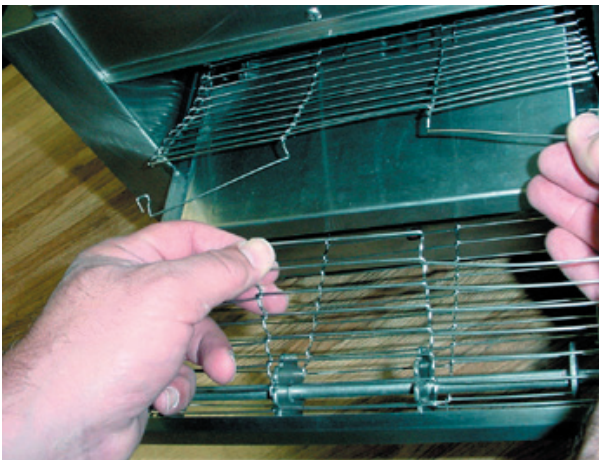
5) Standing at the end on the unit, pick-up the conveyor belt and un-hook one end.



- 6) Trace that link down to the other end and unhook from the opposite side.



- 7) Using both hands, bring both ends together and push the link forward to disengage it from the belt.



- 8) Re-hook the loose ends back onto the previous link, to prevent the link from being damaged or bent.
- 9) Now that the link have been un-hooked, the Conveyor can now be carefully removed from the oven. Standing at the end of the oven. Starting with the end on bottom, roll the conveyor belt until it has been totally removed from the oven. Take careful notice being sure not to damage the heater tubes.

NOTE: DO NOT ATTEMPT TO CLEAN THE HEATER TUBES.



10) For heavy soiled Conveyor Belt, soak over night in hot soapy water.

11) Take this opportunity to clean and remove any loose materials the inside of the unit. Using a mild cleaner and damp cloth, carefully wipe the inside surfaces being sure **NOT** to clean the heater tubes. **Damage can occur to the HEATER tubes from improper cleaning.**

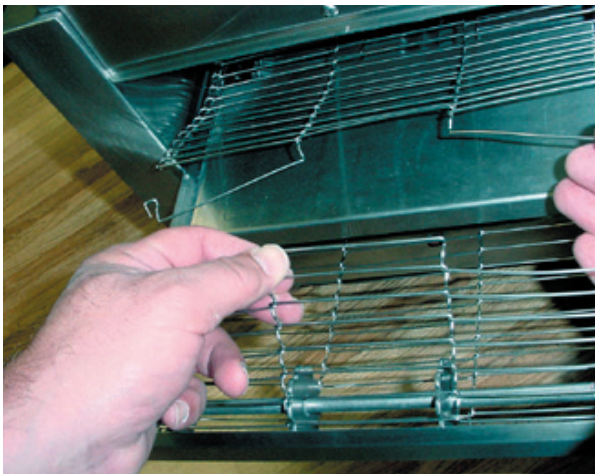
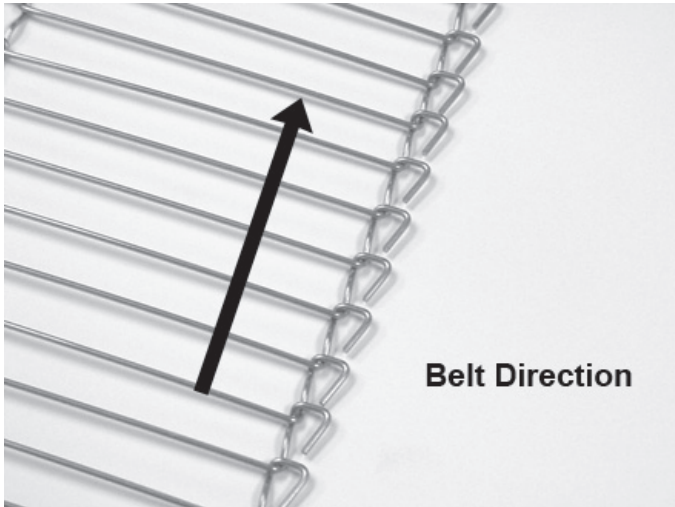


DO NOT SPRAY CLEANING SOLUTIONS INTO OVEN CAVITY.

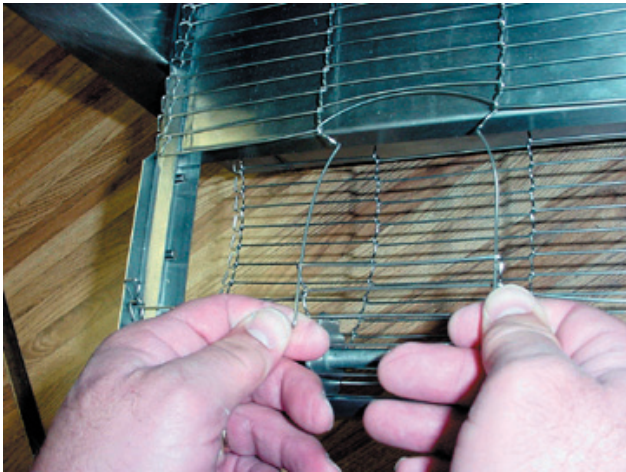
12) Reinstall Conveyor Belt by first laying the belt along bottom of oven cavity making sure the hooks on the sides of the belt will be facing the inside and the ends of the hooks will be pointing away from the direction of belt so not to catch on any internal components once put back into operation.

NOTE: THE DIRECTION OF THE BELT.

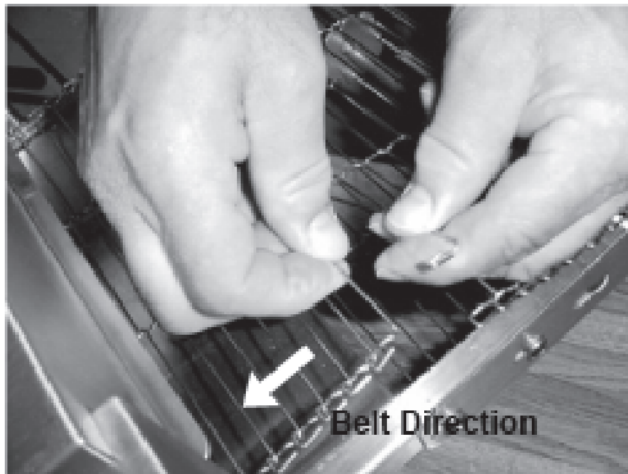
13) Next, pull one end of Conveyor Belt over the top of the sprockets, (being sure to line the links up properly with the sprockets) bringing the two ends together.



14) Un-hook both sides of the last link on the Conveyor.



- 15) Bring the two ends together and thread them through the middle section of the opposite end of the belt, using both hands.



- 16) Re-hook the two ends of the Conveyor, once again completing the Conveyor Belt system.
- 17) Examine the oven to assure proper installation, once satisfied, reinstall burn guard, crumb tray and load-up trays.
- 18) Reconnect oven to power supply and check for proper operation.

IF ASSISTANCE IS REQUIRED, CALL THE STAR SERVICE TEAM AT 1-800-807-9054

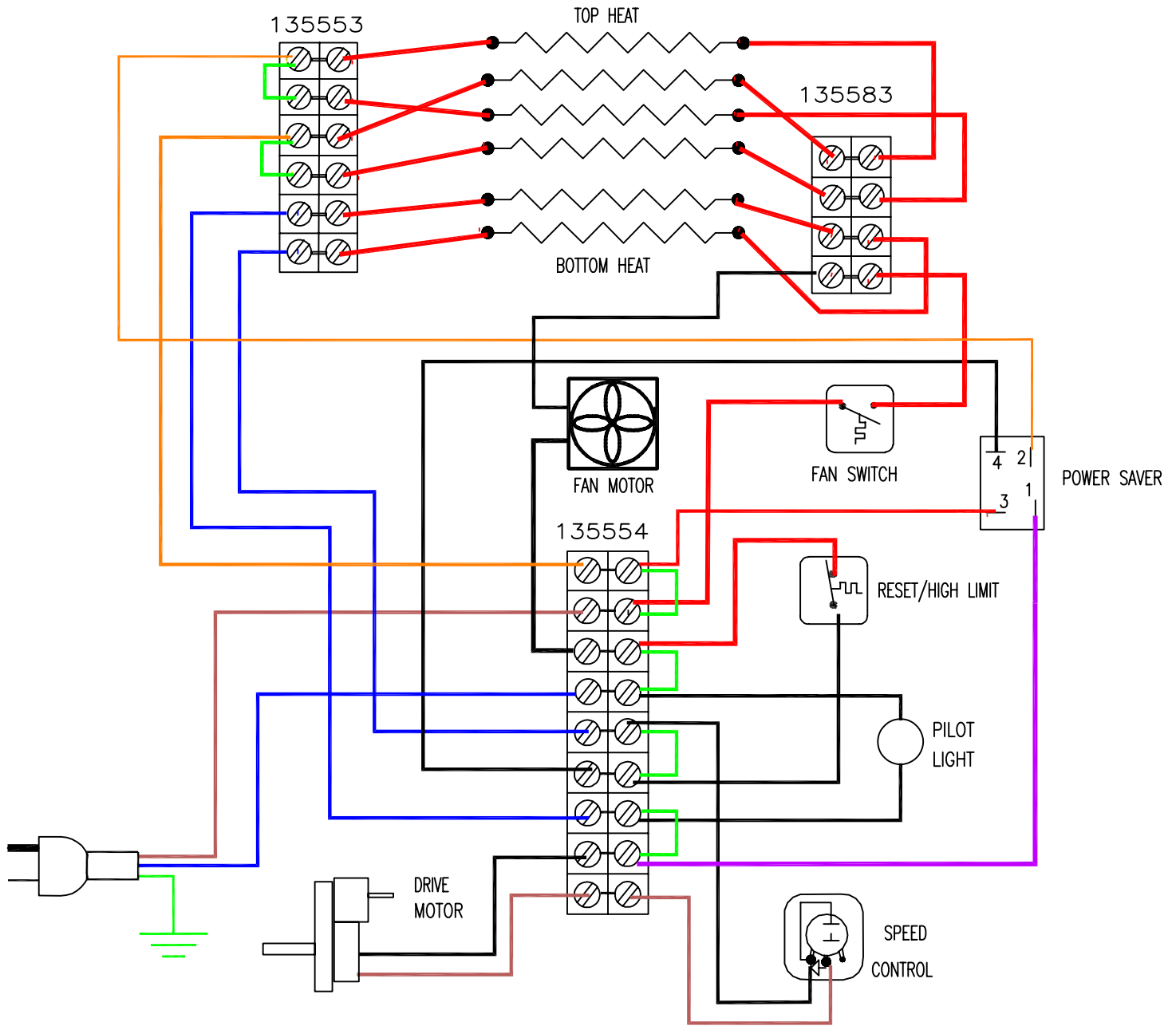
BF700 BAGEL TOASTER (DUALIT)

240 VOLT, WIRED SERIES

H:\Y2KWDIAG\060018

060018

REV	DESCRIPTION	DATE	CHECKED	APPROVED
A	DELETED CONTROL BLOCK/ADDED PLUG	02/05/02	SM	ECO #3330

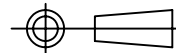


MASTER COPY APPROVED BY:

ENG. _____ DATE _____

QUAL. _____ DATE _____

PROD. _____ DATE _____



Third Angle Projection

All dimensions in decimal inches

All angles 90°, unless specified
All angles +/- 1°

Tolerance	.X	+/-	.060
	.XX	+/-	.030
	.XXX	+/-	.015

Holman Cooking Equipment, Inc.
90 Industrial Park Road
P.O. Box 880
Saco, Maine 04072
Phone # (207)-282-1589

Part Description:

WIRING DIAGRAM
BF700 DUALIT

Size A Finish -----

Part No. 060018

Drawn by: S.Macomber

Approved By: G.Cole

Scale: FULL

Sheet 1 of 1

Date: 02/29/00

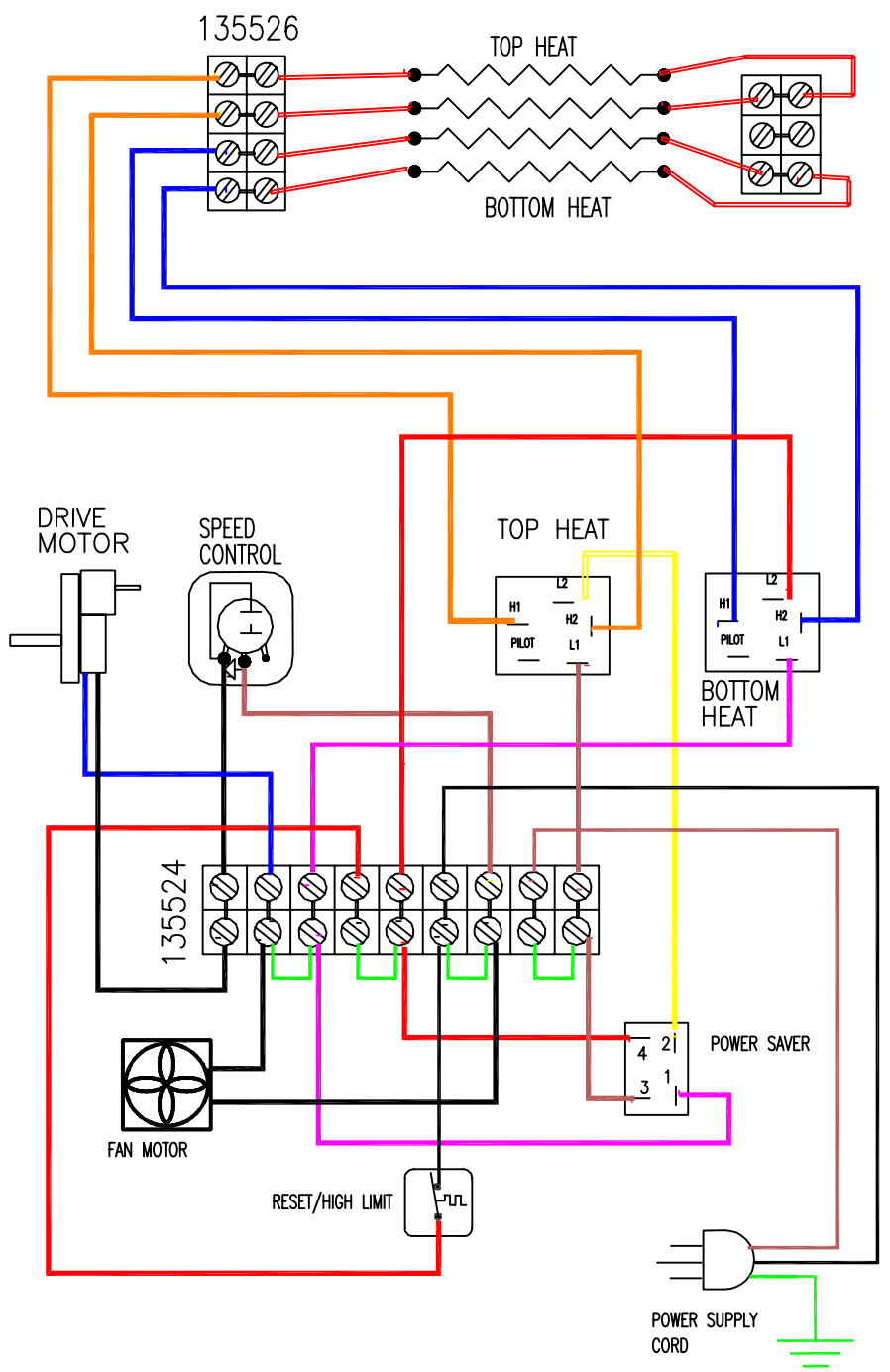
Date: 02/29/00

TT300H, TT450, TT550,
TT700, TT900H, TT960
#060076

(ALL NON CE UNITS)

TT300H, 120 VAC 50/60Hz, 1.7 kW
TT450H, 120 VAC 50/60Hz, 1.7 kW
TT550H, 208/220/240 VAC 50/60Hz, 2.8 kW
TT700, 208/220/240 VAC 50/60Hz, 2.8 kW
TT900H, 208/220/240 VAC 50/60Hz, 3.2 kW
TT960, 208/220/240 VAC 50/60Hz, 3.2 kW
SINGLE PHASE, WIRED SERIES

REV	DESCRIPTION	DATE	CHECKED	APPROVED
X	X	X	X	X



MASTER COPY APPROVED BY:

ENG. _____ DATE _____

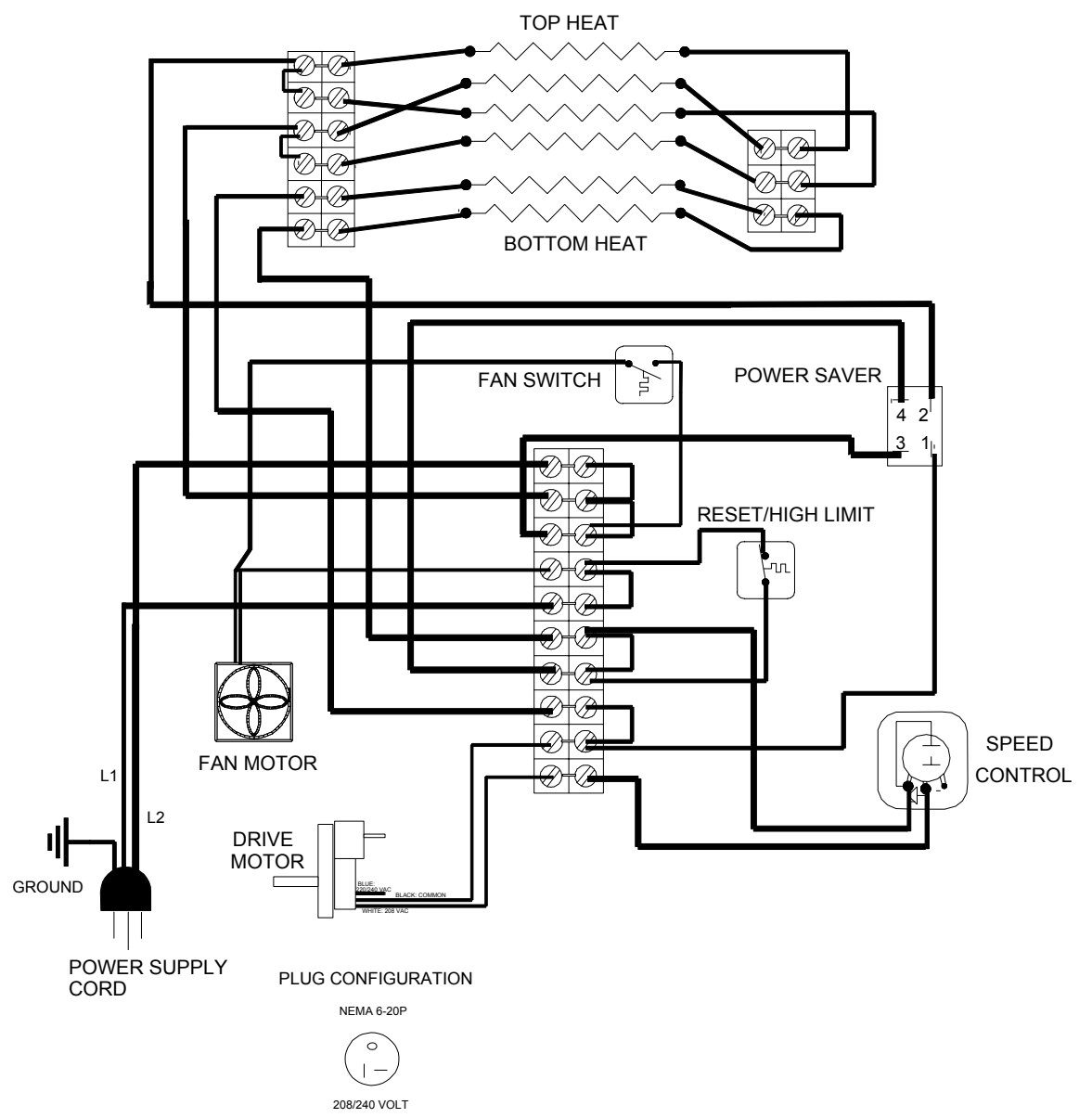
QUAL. _____ DATE _____

PROD. _____ DATE _____

		Part Description:	
	Third Angle Projection	WIRE HARNESS TT SERIES	
Holman Cooking Equipment, Inc. 90 Industrial Park Road P.O. Box 880 Saco, Maine 04072 Phone # (207)-282-1589	All dimensions in decimal inches	Size	Finish
	All angles 90°, unless specified All angles +/- 1°	A	-----
	Tolerance .X +/- .060 .XX +/- .030 .XXX +/- .015	Part No.	060076
Drawn by: S.Macomber	Date: 5/30/00	Approved By: G.Cole	Scale: FULL
		Date: 5/30/00	Sheet 1 of 1

**OPERATOR'S MANUAL
HOLMAN CONVEYOR TOASTERS**

**WIRING DIAGRAM
MODEL BF700**



TOP		HEATER TUBES				BOTTOM	
TOP	VOLTAGE	WATTAGE		WATTAGE	VOLTAGE	WATTAGE	
197841	208	700		197896	208	200	
197844	220	700		197874	220	200	
197842	240	700		197872	240	200	

BF700DOC. REV. 06/05/00 MJC

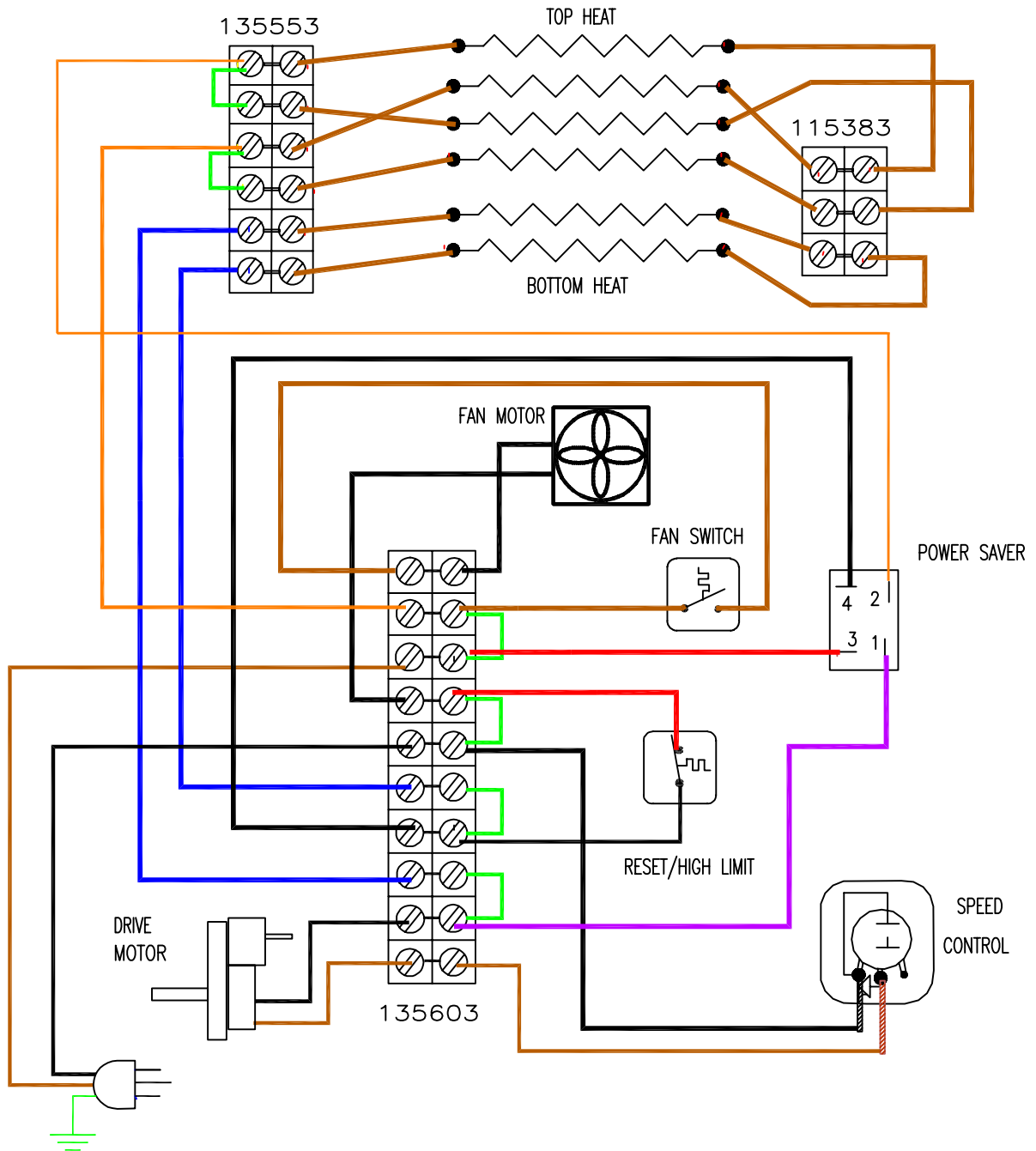
BF GEN II

WIRE DIAGRAM 208/220/240 VOLT, WIRED SERIES

060020

060365

REV	DESCRIPTION	DATE	CHECKED	APPROVED
A	RELEASED	X	X	ECO#999
B	DEL 700 DES. AND MVD SPEED CTRL WIRE	8/2/00	SM	ECO#1352

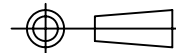


MASTER COPY APPROVED BY:

ENG. _____ DATE _____

QUAL. _____ DATE _____

PROD. _____ DATE _____



Third Angle Projection

All dimensions in decimal inches

All angles 90°, unless specified
All angles +/- 1°

Tolerance	.X	+/-	.060
	.XX	+/-	.030
	.XXX	+/-	.015

Holman Cooking Equipment, Inc.
90 Industrial Park Road
P.O. Box 880
Saco, Maine 04072
Phone # (207)-282-1589

Drawn by: S.Macomber

Date: 6/8/00

Part Description:

WIRING DIAGRAM
BF GEN II

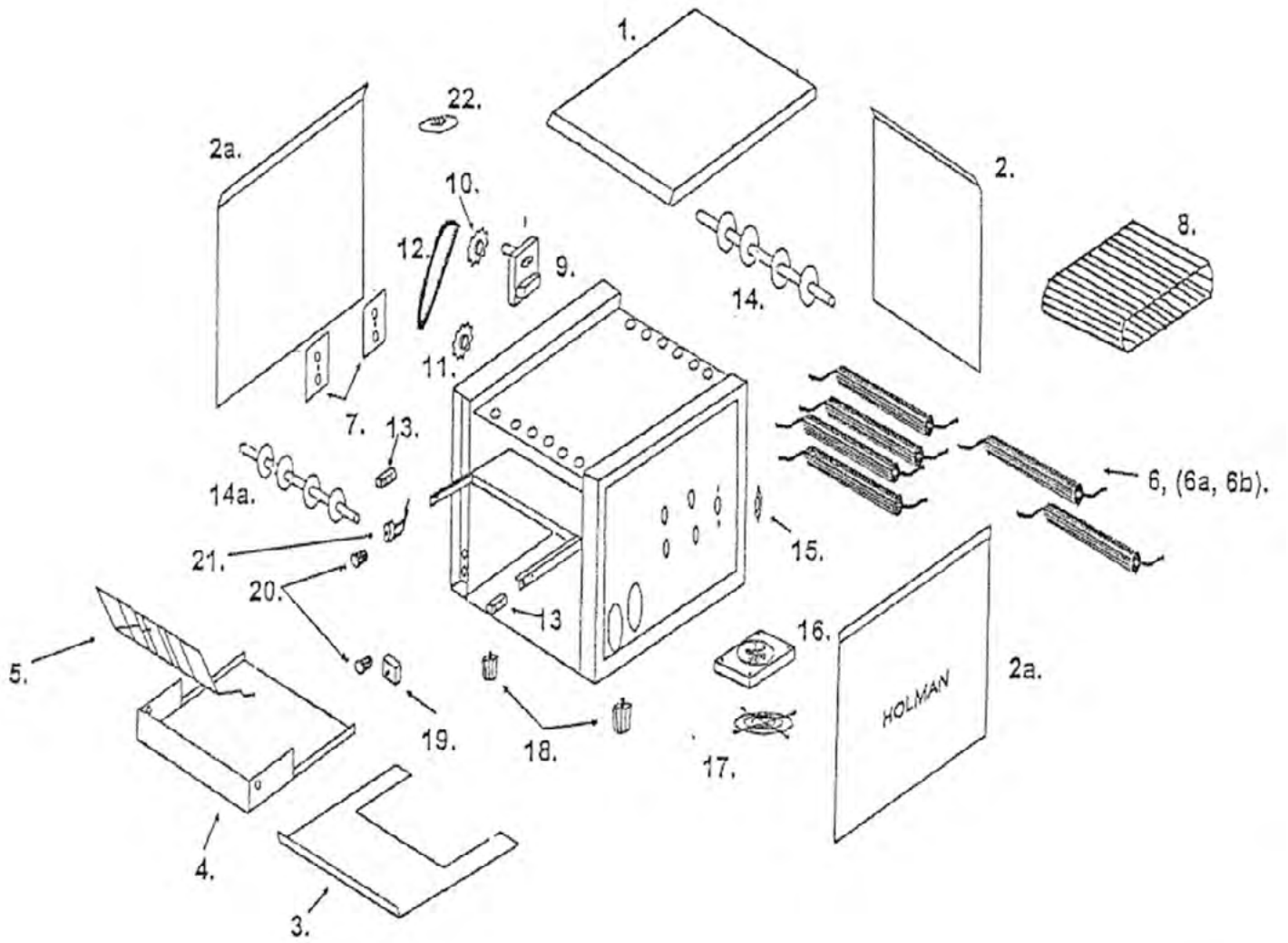
Size A Finish -----

Approved By: G.Cole

Date: 6/8/00

Part No. 060020

Scale: FULL Sheet 1 of 1



Model: BF700 Conveyor Toaster



BF700 (GEN 1 before 11/99 & GEN 2 after 11/99)

KEY #	PART #	QTY.	DESCRIPTION	GEN1/2
1	HP-100959	1	TOP COVER	GEN1
	HQ-100989			GEN2
2	HP-401808	1	BACK COVER	GEN1
	HQ-402373			GEN2
2a	HQ-402375	1	RIGHT SIDE PANEL	
2a	HQ-402376	1	LEFT SIDE PANEL	
3	HP-401816	1	SLIDE OUT TRAY/TOAST CHUTE EXTENSION	
4	HP-401810	1	CRUMB TRAY	
	HQ-101091		CRUMB TRAY (DD special)	
5	2B-200763	1	LOAD-UP TRAY	
6	SEE BELOW FOR HEATER TUBES			
7	GA-402128	2	HEATER TUBE RETAINER	GEN1
	HQ-402272			GEN2
8	SP-160025	1	CONVEYOR BELT (10" X 41")	
9	2U-200504	1	DRIVE MOTOR (REVERSED)	
10	2P-200648	1	DRIVE SPROCKET (25BB32 X 5/16")	
11	2P-200645	1	DRIVEN SPROCKET (25B17 X 5/16")	
12	ZZ-150010	1	DRIVE CHAIN 21-1/4"	GEN1
	HM-150025	1	DRIVE CHAIN 22-1/2"	GEN2
13	2P-200693	2	IDLER BUSHING	GEN1
	2P-200700		IDLER BUSHING (SPRING LOADED)	GEN2
14	2A-202900	1	DRIVE SHAFT	
	2A-202904		IDLER SHAFT	
15	HA-112261	2	BUSHING 5/16"	
16	2U-200561	1	FAN MOTOR	
17	2R-200562	1	FAN GUARD	
18	2R-200709	4	LEG, 1" CHROME PLASTIC	
19	PS-120319	1	SERVICE KIT ROTARY SWITCH	
20	SP-115360	2	CONTROL PANEL KNOB	
--	2M-200883		LABEL-BAGEL FAST	
21	SP-118002	1	SPEED CONTROL (250W)	
22	2E-200566	1	HIGH LIMIT RESET SWITCH	
NI	2E-200574	1	FAN SWITCH	
NI	2K-Y3240	1	CORD BUSHING	
NI	HG-140024	1	POWER SUPPLY CORD	
NI	HQ-115152	1	RETROFIT PANEL KIT	
NI	2P-200736	2	BEARING SPRING (2")	GEN2
QUARTZ HEATER TUBES				
6a	HO-197841	4	208V TOP (15.8Ω, 703W, 6.7A) (UNIT=14.6A)	GEN1
6b	HQ-198025	2	208V BOTTOM (50.8Ω, 200W, 1.0A) (UNIT=14.6A)	GEN1
6a	HQ-197873	4	220V TOP (19.2Ω, 700W, 5.4A) (UNIT = 14.5A)	GEN1
6b	HQ-197874	2	220V BOTTOM (56.9Ω, 200W, 1.82A) (UNIT = 14.5A)	GEN1
6a	HO-197842	4	240V TOP (19.2Ω, 707W, 5.9A) (UNIT = 13.0A)	GEN1
6b	HQ-197872	2	240V BOTTOM (67.7Ω, 200W, 1.0A) (UNIT=13.0A)	GEN1
QUARTZ HEATER TUBES				
6a	HQ-198027	4	208V TOP (15.8Ω, 645W, 6.2A) (UNIT=14.9A)	GEN2
6b	HQ-198025	2	208V BOTTOM (53.88Ω, 200W, 1.9A) (UNIT=14.9A)	GEN2
6a	HQ-197873	4	220V TOP (19.2Ω, 600W, 5.4A) (UNIT = 14.5A)	GEN2
6b	HQ-197874	2	220V BOTTOM (56.9Ω, 200W, 1.82A) (UNIT = 14.5A)	GEN2
6a	HQ-198034	4	240V TOP (20.2Ω, 675W, 5.6A) (UNIT = 13.0A)	GEN2
6b	HQ-198033	2	240V BOTTOM (67.7Ω, 200W, 1.67A) (UNIT=13.0A)	GEN2
METAL HEATERS				
6a	2N-209131	4	208V TOP (600W)	
	2N-209198	4	208V BOTTOM (200W)	
	2N-209132	4	240V TOP (600W)	
	2N-209194	4	240V BOTTOM (200W)	