

REFER TO THE PARTS LIST SPECIFIC  
TO YOUR MODEL FOR MORE DETAIL INFORMATION.

Model: 800 SERIES



**STAR MANUFACTURING INTERNATIONAL, INC.**

SK1878

REV B

3-30-09

# PARTS LIST

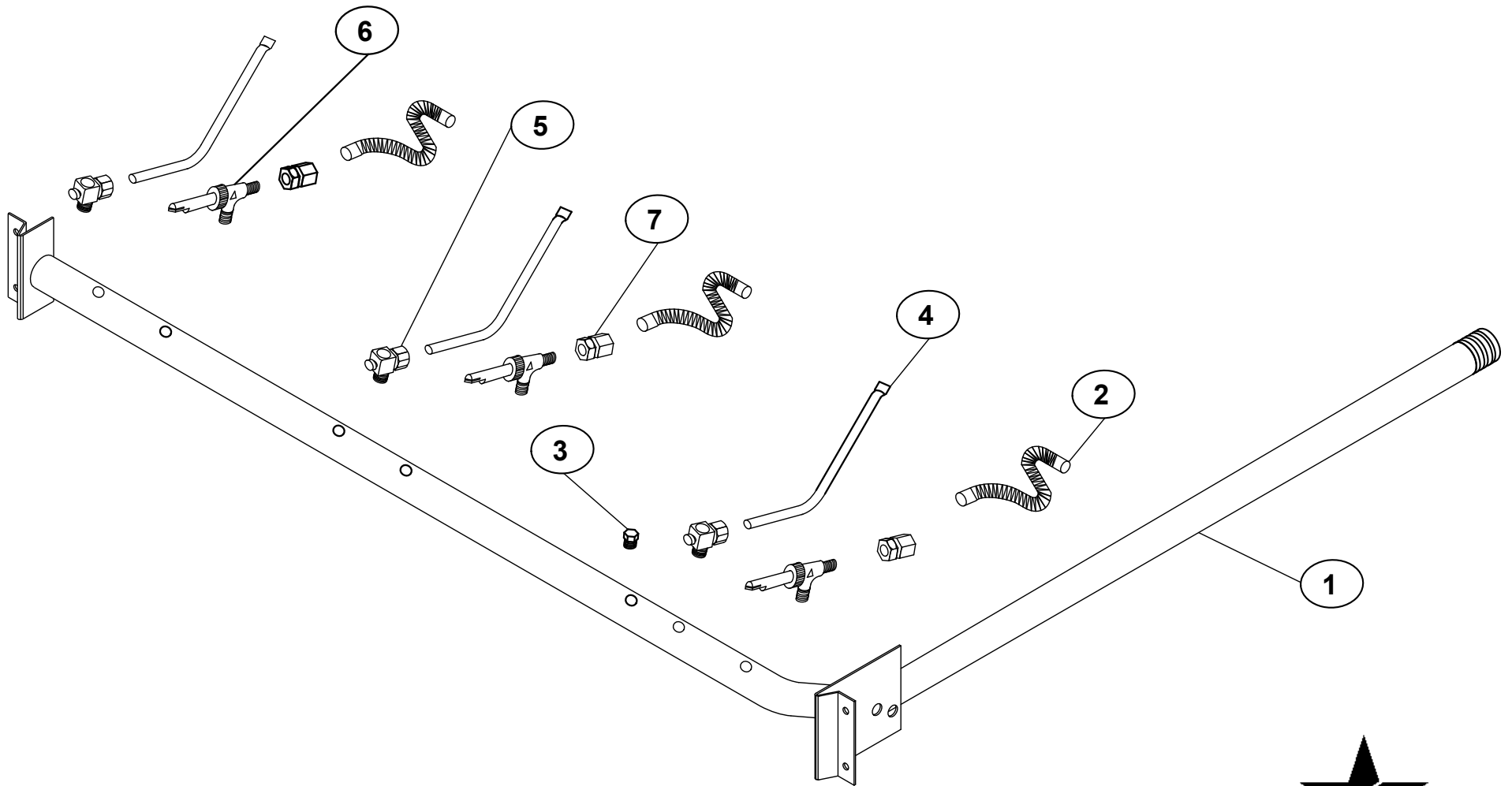
August 27, 2012, Rev H

Ultra-Max Gas Griddle Models: 848M, 848T, 848TS, 848TCHS, 848TSCHS				
Fig. No	Part No.	Qty	Description	Application
1	G5-Z4814	1	FLUE	848M/T/TS/TSCHS
2	G5-Z4817	1	FLUE DIVIDER	848M/T/TS/TSCHS
3	G5-848004	1	GRIDDLE PLATE ASSY COMPLETE	848M
	G5-848005			848T/TS
	G5-848006			848TSCHS, 848TCHS
4	G5-Z4793	4	BULB CLAMP	848T/TS/TSCHS
5	G5-Z4794	4	BULB COVER	848T/TS/TSCHS
6	2P-Z4795	12	BULB SPRING	848T/TS/TSCHS
7	G5-Z15206	4	ORIFICE BRACKET	848M/T/TS/TSCHS
8	2F-Z4613	4	BURNER	848M/T/TS/TSCHS
9	G5-Z4800	1	SIDE BAFFLE RIGHT	ALL 824/36/48/60/72
10	2A-Z4614	4	FOOT	ALL 824/36/48/60/72
11	G5-824014	1	WASTE DRAWER ASSY	ALL 824/836/848
12	G5-Z4897	1	DRAWER GUIDE	ALL 824/836/848
13	G5-Z4799	2	PILOT BAFFLE	848TS/TSCHS
14	G5-Z4798	3	BURNER BAFFLE	848M/T, 848TCHS
		1		848TS/TSCHS
15	G5-Z4900	4	BURNER COVER	848M/T/TS/TSCHS
16	2A-9369	4	ORIFICE FITTING	848M/T/TS/TSCHS
17	2A-Z4930	4	ORIFICE NATURAL (SIZE 41)	848M/T, 848TCHS
	2A-Z4931		ORIFICE PROPANE (SIZE 52)	848M/T/TS/TSCHS
	2A-Z5542		ORIFICE NATURAL (SIZE 37)	848TS/TSCHS
18	G5-Z4801	1	SIDE BAFFLE LEFT	ALL 824/36/48/60/72
19	2M-Z4868	1	CONTROL GRAPHICS PANEL	848M
	2M-Z4869			848T, 848TCHS
	2M-Z4870			848TS/TSCHS
	2M-Z13356			848TSCHS-C
20	2R-Z4997	4	KNOB	848M/T, 848TCHS
	2R-Z8891			848TS/TSCHS manu. after 8/2005
	PS-Z9312			848TS/TSCHS manu. before 8/2005
21	G5-824012	1	CHUTE ASSEMBLY	ALL 824/836/848
22	G5-848008	1	FRONT PANEL ASSEMBLY	848M/T, 848TCHS
23	G5-848025	1	FRONT PANEL ASSEMBLY	848TS/TSCHS
	G5-848026		FRONT PANEL ASSY. 848TS	848TSCHS-C
24	G5-848007	1	BODY ASSEMBLY	848M/T/TS/TSCHS
25	2C-Z8547	4	SCREW, 6-32 SHOULDER, KNOB STOP	
26	2E-Z1858	1	SWITCH-ROCKER 2P 2T	848TS, 848TSCHS
	PS-Z13373		ROCKER TO TOGGLE SWITCH KIT	<i>Optional Replacment to Toggle</i>
27	Z1-70-07-0343	1	SWITCH GUARD	848TS, 848TSCHS
28	2M-12-07-0038	1	LABEL ON & OFF	848TS, 848TSCHS
29	2I-05-07-0013	1	BOOT SWITCH	848TS, 848TSCHS
N/A	2J-Z4686	1	REGULATOR (5" NAT. AND 10" LP)	ALL M/T, 848TCHS
N/A	2J-Z5541	1	REGULATOR (4" NAT. AND 10" LP)	ALL TS/TSCHS
N/A	2C-Z8547	AR	BOLT, KNOB STOP	

**IMPORTANT: WHEN ORDERING, SPECIFY VOLTAGE OR TYPE GAS DESIRED  
INCLUDE MODEL AND SERIAL NUMBER**

PAGE 1  
OF 1

Some items are included for illustrative purposes only and in certain instances may not be available.



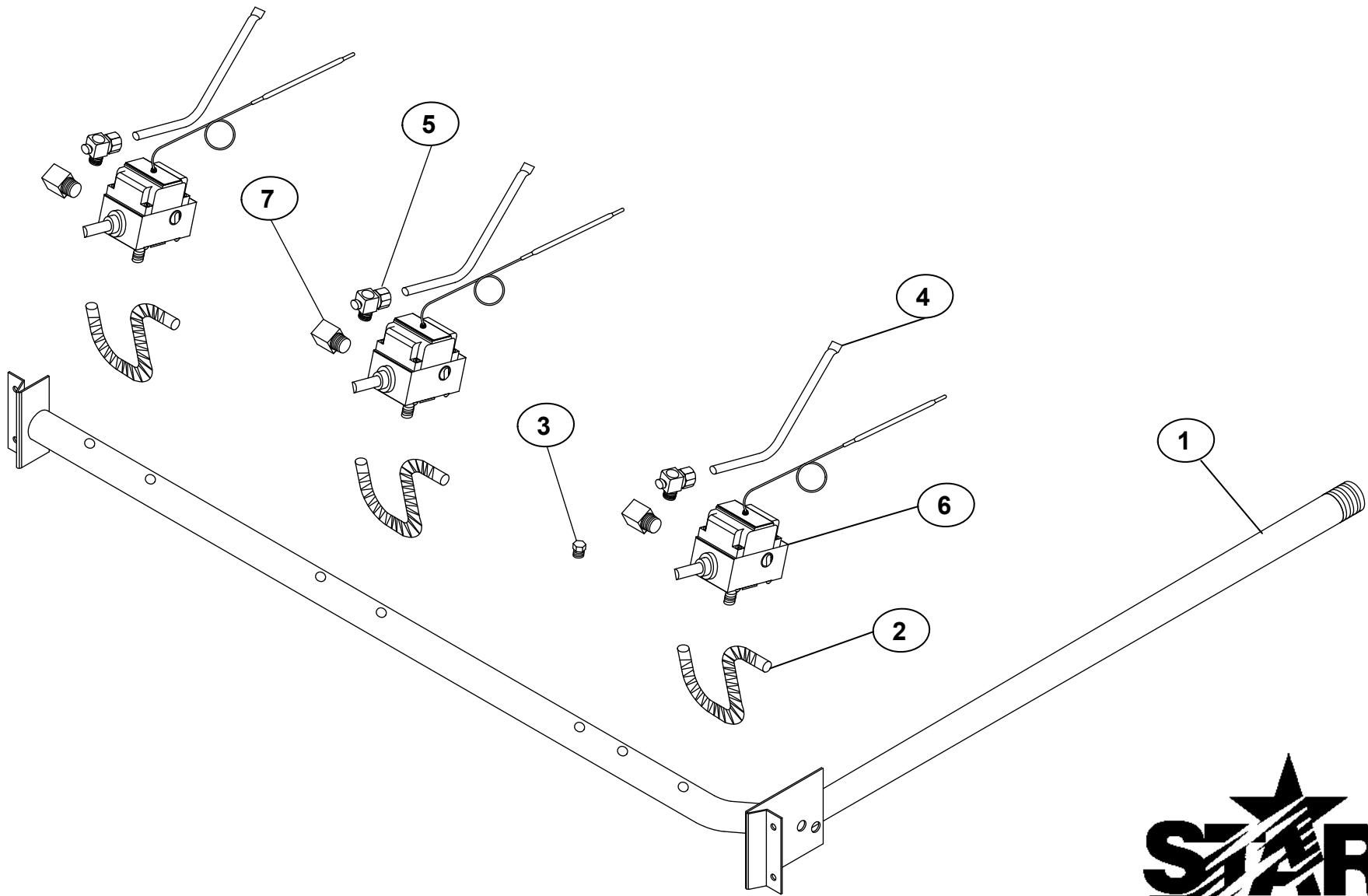
**MODEL: 800M SERIES**

**STAR MANUFACTURING INTERNATIONAL, INC.**

SK1880

Rev. -

1-20-02



**MODEL: 800T SERIES**

**STAR MANUFACTURING INTERNATIONAL, INC.**

SK1879

Rev. -

1-20-02

# PARTS LIST

October 24, 2011, Rev H

MODEL 800M and 800T Series

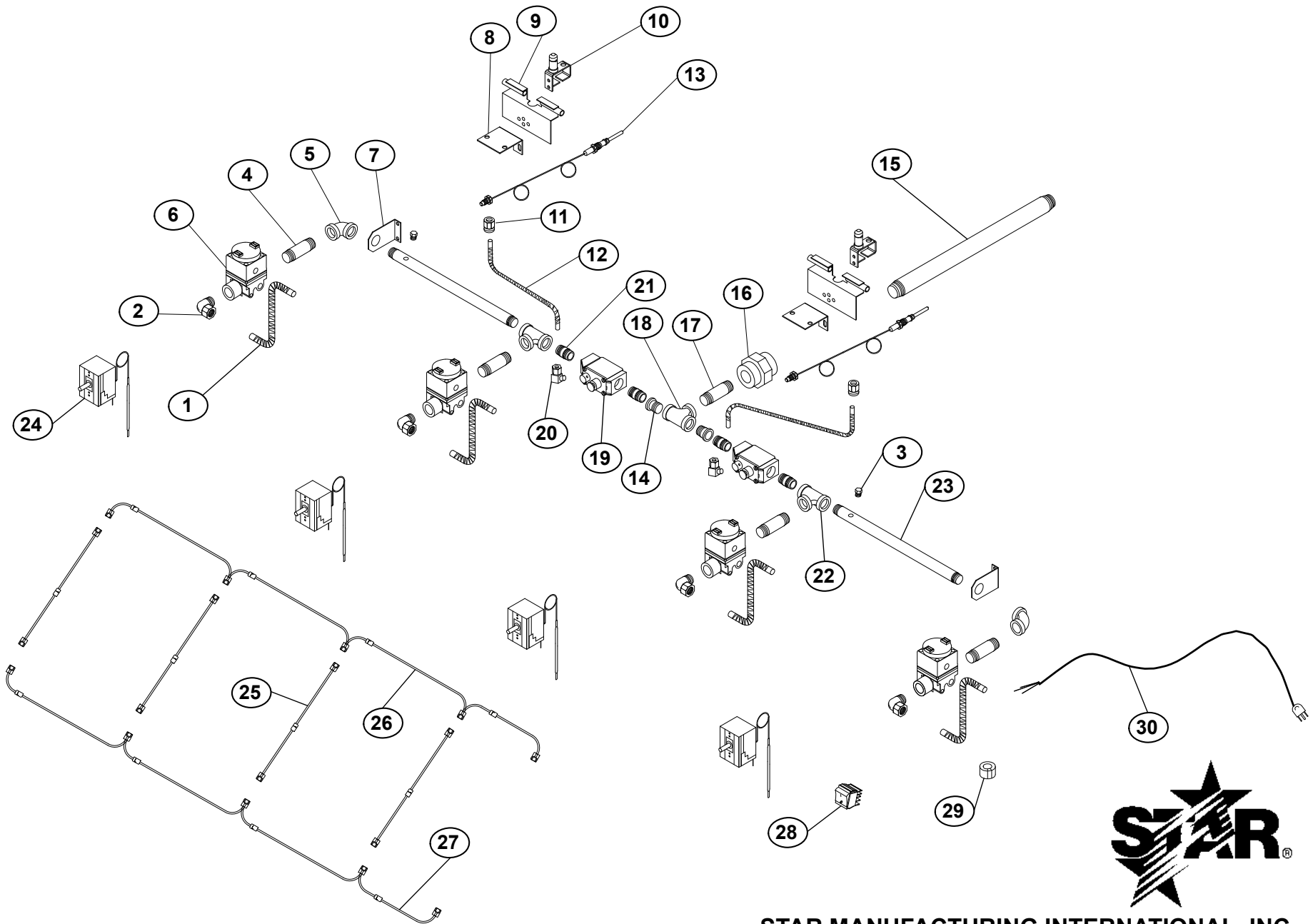
Key Number	Part Number	Number Per Unit	Description	Model	
1	2K-Z4901	1	MANIFOLD	824M/T	
	2K-Z4902	1	MANIFOLD	836M/T	
	2K-Z4903	1	MANIFOLD	848M/T	
	2K-Z4904	1	MANIFOLD	860M/T	
	2K-Z4905	1	MANIFOLD	872M/T	
2	2K-Z4921	2	BURNER FLEX TUBE	824M/T	
		3	BURNER FLEX TUBE	836M/T	
		4	BURNER FLEX TUBE	848M/T	
		5	BURNER FLEX TUBE	860M/T	
		6	BURNER FLEX TUBE	872M/T	
		3	2P-1453	1	PIPE PLUG
4	2V-Z4821	2	PILOT BURNER	824T	
		3	PILOT BURNER	836T	
		4	PILOT BURNER	848T	
		5	PILOT BURNER	860T	
		6	PILOT BURNER	872T	
		2V-Z4906	2	PILOT BURNER	824M
	3		PILOT BURNER	836M	
	4		PILOT BURNER	848M	
	5		PILOT BURNER	860M	
	6		PILOT BURNER	872M	
	5		2V-6671	2	PILOT VALVE
		3		PILOT VALVE	836M/T
4		PILOT VALVE		848M/T	
5		PILOT VALVE		860M/T	
6		PILOT VALVE		872M/T	
6		2T-Z4823		2	THROTTLING CONTROL
	3		THROTTLING CONTROL	836T	
	4		THROTTLING CONTROL	848T	
	5		THROTTLING CONTROL	860T	
	6		THROTTLING CONTROL	872T	
	2V-Y8832		2	MANUAL VALVE	824M
		3	MANUAL VALVE	836M	
		4	MANUAL VALVE	848M	
		5	MANUAL VALVE	860M	
		6	MANUAL VALVE	872M	
		7	2A-Z0790	2	FITTING 3/8 CC X 3/8-27
	3			FITTING 3/8 CC X 3/8-27	836M
4	FITTING 3/8 CC X 3/8-27			848M	
5	FITTING 3/8 CC X 3/8-27			860M	
6	FITTING 3/8 CC X 3/8-27			872M	
2K-Y7111	2			FITTING 3/8 CC X 1/4 MPT	824T
	3		FITTING 3/8 CC X 1/4 MPT	836T	
	4		FITTING 3/8 CC X 1/4 MPT	848T	
	5		FITTING 3/8 CC X 1/4 MPT	860T	
6	FITTING 3/8 CC X 1/4 MPT		872T		

**IMPORTANT: WHEN ORDERING, SPECIFY VOLTAGE OR TYPE GAS DESIRED  
INCLUDE MODEL AND SERIAL NUMBER**

PAGE 1  
OF 1

Some items are included for illustrative purposes only and in certain instances may not be available.





MODEL: 848TS AND 848TSCHS

STAR MANUFACTURING INTERNATIONAL, INC.

SK1883

Rev.-

01-20-02



# PARTS LIST

October 24, 2011, Rev H

## MODEL **848TS** and **848TSCHS** Series

Key Number	Part Number	Model	Number Per Unit	Description
1	2K-Z4921	848TS/TSCHS	4	BURNER FLEX TUBE
2	2K-2675	848TS/TSCHS	4	FITTING 3/8 CC X 3/8 MPT
3	2P-1453	848TS/TSCHS	2	PIPE PLUG
4	2K-Y5550	848TS/TSCHS	4	NIPPLE 3/8 NPT X 1 1/2
5	2K-2665	848TS/TSCHS	2	ELBOW 3/8 NPT
6	2J-Z4610	848TS/TSCHS	4	SOLENOID VALVE
7	G5-Z4907	848TS/TSCHS	2	MOUNTING BRACKET
8	G5-824019	848TS/TSCHS	2	PILOT BRACKET ASSY
9	G5-824018	848TS/TSCHS	2	FLASH TUBE BRACKET ASSY
10	2J-Z4608	848TS/TSCHS	2	PILOT BURNER
11	2A-Y2017	848TS/TSCHS	2	PILOT ORIFICE
12	2K-Z4920	848TS/TSCHS	2	PILOT TUBE FLEX
13	2J-Z4609	848TS/TSCHS	2	THERMOCOUPLE
14	2K-Z4617	848TS/TSCHS	2	REDUCER BUSHING
15	2K-Z4616	848TS/TSCHS	1	INLET PIPE
16	2K-Z5033	848TS/TSCHS	1	UNION
17	2K-Z4618	848TS/TSCHS	1	NIPPLE 3/4 NPT X 2 1/4
18	2K-Z5034	848TS/TSCHS	1	3/4 NPT TEE
19	2J-Z4607	848TS/TSCHS	2	SAFETY VALVE
20	2V-6671	848TS/TSCHS	2	PILOT VALVE
21	2K-Y4403	848TS/TSCHS	4	CLOSE NIPPLE 3/8 NPT
22	2K-9688	848TS/TSCHS	2	TEE 3/8 NPT
23	2K-Z4612	848TS/TSCHS	2	NIPPLE WITH PRESSURE TAP
24	2T-Z7440	848TS/TSCHS	4	ELECTRIC THERMOSTAT
24	2T-Z7440	824TS/TSCHS	4	THERMOSTAT <span style="float: right;">manuf. after 8/2005</span>
	PS-Z9318	824TS/TSCHS	4	THERMOSTAT SERVICE KIT <span style="float: right;">manuf. before 8/2005</span>
25	G5-824015	848TS/TSCHS	4	WIRE ASSEMBLY #1
26	G5-848017	848TS/TSCHS	1	WIRE ASSEMBLY 848TS "C"
27	G5-848016	848TS/TSCHS	1	WIRE ASSEMBLY 872TS "L"
28	2E-Z1858	848TS/TSCHS	1	SWITCH
29	2K-Y2967	848TS/TSCHS	1	CORD BUSHING
30	N2-30409	848TS/TSCHS	1	CORD SET 6' LONG

**IMPORTANT: WHEN ORDERING, SPECIFY VOLTAGE OR TYPE GAS DESIRED  
INCLUDE MODEL AND SERIAL NUMBER**

PAGE 1  
OF 1

Some items are included for illustrative purposes only and in certain instances may not be available.



**Star International Holdings Inc. Company**