

STAR MANUFACTURING INTERNATIONAL, INC.

DRAWING NO. SK1878 DATE: 1-20-02 800 SERIES

DR: SO

PARTS LIST

Mach 15, 2006, Rev. A

MODEL 836-LP Series Gas Griddles

Key Number	Part Number	Number Per Unit	Description and Model Designation
1	G5-Z4813	1	FLUE 836M/T/TS/TSCHS
2	G5-Z4817	1	FLUE DIVIDER 836M/T/TS/TSCHS
3	G5-836004	1	GRIDDLE PLATE ASSY COMPLETE 836M
3	G5-836005	1	GRIDDLE PLATE ASSY COMPLETE 836T/TS
3	G5-836006	1	GRIDDLE PLATE ASSY COMPLETE 836TSCHS
4	G5-Z4793	3	BULB CLAMP 836T/TS/TSCHS
5	G5-Z4794	3	BULB COVER 836T/TS/TSCHS
6	G5-Z4795	9	BULB SPRING 836T/TS/TSCHS
7	G5-Z4927	3	ORIFICE BRACKET 836M/T/TS/TSCHS
8	2F-Z4613	3	BURNER 836M/T/TS/TSCHS
9	G5-Z4800	1	SIDE BAFFLE RIGHT ALL 824/36/48/60/72
10	2A-Z4614	4	FOOT ALL 824/36/48/60/72
11	G5-824014	1	WASTE DRAWER ASSY ALL 824/836/848
12	G5-Z4897	1	DRAWER GUIDE ALL 824/836/848
13	G5-Z4799	2	PILOT BAFFLE 836TS/TSCHS
14	G5-Z4798	2	BURNER BAFFLE 836M/T
15	G5-Z4900	3	BURNER COVER 836M/T/TS/TSCHS
16	2A-9369	3	ORIFICE FITTING 836M/T/TS/TSCHS
17	2A-Z4930	3	ORIFICE NATURAL 836M/T
17	2A-Z4931	3	ORIFICE PROPANE 836M/T/TS/TSCHS
17	2A-Z5542	3	ORIFICE NATURAL 836TS/TSCHS
18	G5-Z4801	1	SIDE BAFFLE LEFT ALL 824/36/48/60/72
19	2M-Z4867	1	CONTROL GRAPHICS PANEL 836TS/TSCHS
20	2R-Z4997	3	KNOB 836M/T
	2R-Z8891	3	KNOB 836TS/TSCHS manuf. after 8/2005
	PS-Z9312	3	KNOB SERVICE KIT 836TS/TSCHS manuf. before 8/2005
21	G5-824012	1	CHUTE ASSEMBLY ALL 824/836/848
22	G5-836008	1	FRONT PANEL ASSEMBLY 836M/T
23	G5-836013	1	FRONT PANEL ASSEMBLY 836TS/TSCHS
24	2M-Z4865	1	CONTROL GRAPHICS PANEL 836M
24	2M-Z4866	1	CONTROL GRAPHICS PANEL 836T
25	G5-836007	1	BODY ASSEMBLY 836M/T/TS/TSCHS
26	VARIOUS	1	NAMEPLATE ALL
N/A	2J-Z4686	1	REGULATOR (5" AND 10") ALL M/T
N/A	2J-Z5541	1	REGULATOR (4" AND 10") ALL TS/TSCHS

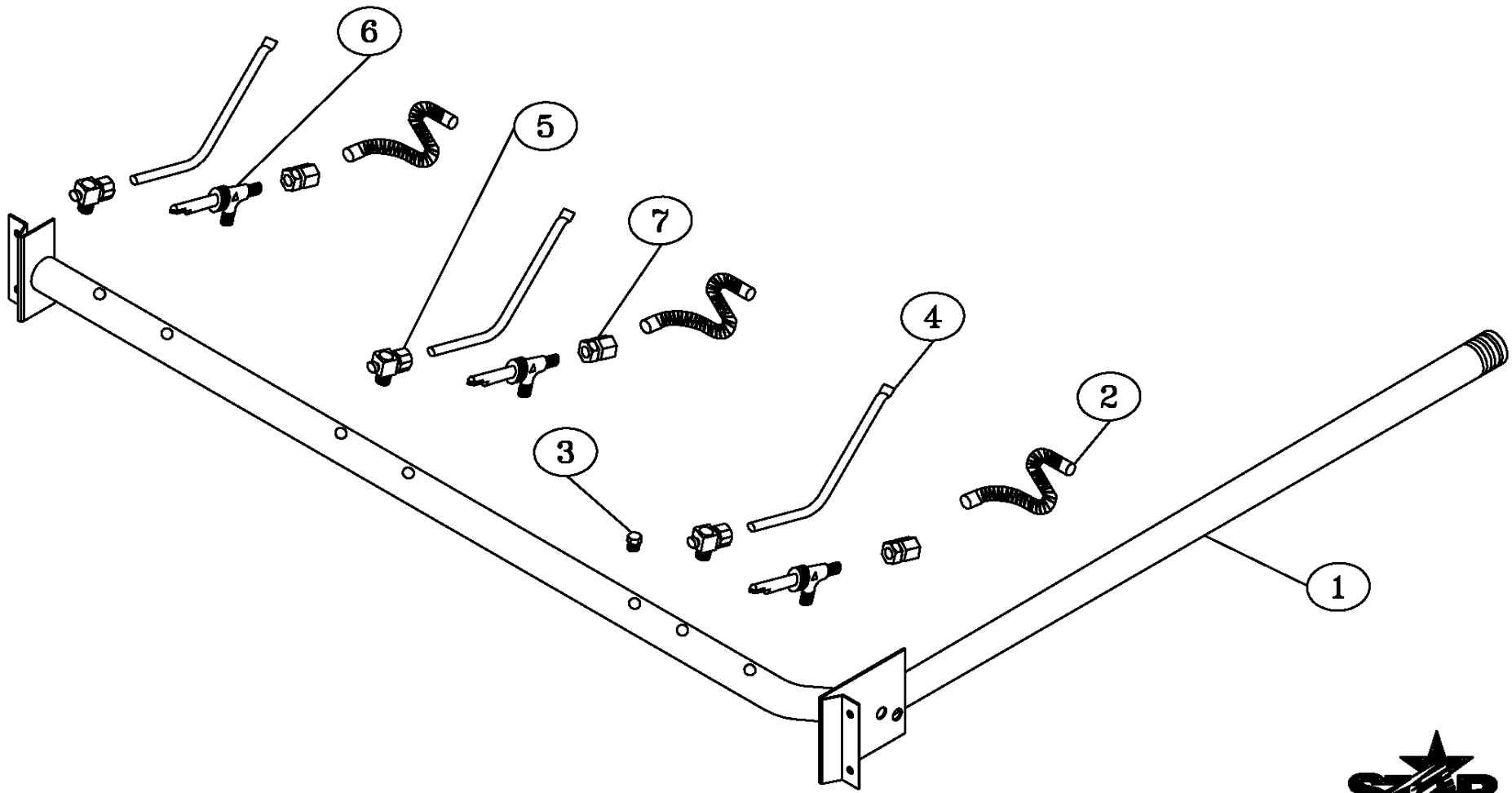
**IMPORTANT: WHEN ORDERING, SPECIFY VOLTAGE OR TYPE GAS DESIRED
INCLUDE MODEL AND SERIAL NUMBER**

PAGE 1
OF 1

Some items are included for illustrative purposes only and in certain instances may not be available.



Star Manufacturing International, Inc.



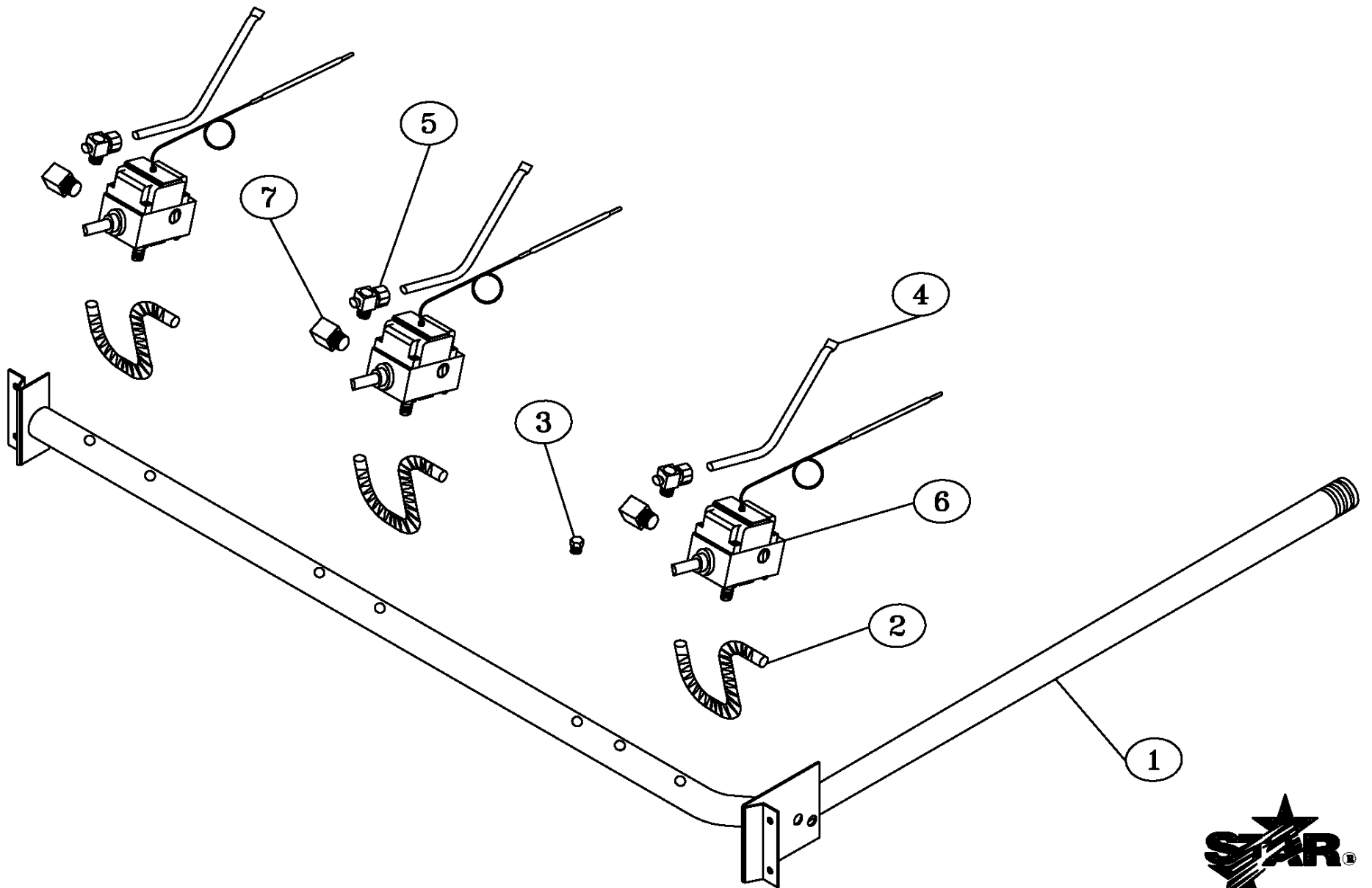
STAR MANUFACTURING INTERNATIONAL, INC.

DRAWING NO. SK1880

DATE: 1-20-02

MODEL: 800M SERIES

DR: SO



STAR MANUFACTURING INTERNATIONAL, INC.

DRAWING NO. SK1879

DATE: 1-20-02

MODEL: 800T SERIES

DR: SO

PARTS LIST

March 15, 2006, Rev. A

MODEL 800M and 800T Series Gas Griddles

Key Number	Part Number	Number Per Unit	Description and Model Designation
1	2K-Z4901	1	MANIFOLD 824M/T
	2K-Z4902	1	MANIFOLD 836M/T
	2K-Z4903	1	MANIFOLD 848M/T
	2K-Z4904	1	MANIFOLD 860M/T
	2K-Z4905	1	MANIFOLD 872M/T
2	2K-Z4921	2	BURNER FLEX TUBE 824M/T
		3	BURNER FLEX TUBE 836M/T
		4	BURNER FLEX TUBE 848M/T
		5	BURNER FLEX TUBE 860M/T
		6	BURNER FLEX TUBE 872M/T
		3	2P-1453
4	2V-Z4821	2	PILOT BURNER 824T
		3	PILOT BURNER 836T
		4	PILOT BURNER 848T
		5	PILOT BURNER 860T
		6	PILOT BURNER 872T
		2	PILOT BURNER 824M
	2V-Z4906	3	PILOT BURNER 836M
		4	PILOT BURNER 848M
		5	PILOT BURNER 860M
		6	PILOT BURNER 872M
		2	PILOT VALVE 824M/T
		3	PILOT VALVE 836M/T
		4	PILOT VALVE 848M/T
		5	PILOT VALVE 860M/T
5	2V-6671	6	PILOT VALVE 872M/T
		2	THROTTLING CONTROL 824T
		3	THROTTLING CONTROL 836T
		4	THROTTLING CONTROL 848T
		5	THROTTLING CONTROL 860T
		6	THROTTLING CONTROL 872T
6	2T-Z4823	2	MANUAL VALVE 824M
		3	MANUAL VALVE 836M
		4	MANUAL VALVE 848M
		5	MANUAL VALVE 860M
		6	MANUAL VALVE 872M
		2	MANUAL VALVE 824M
	2V-Y8832	3	MANUAL VALVE 836M
		4	MANUAL VALVE 848M
		5	MANUAL VALVE 860M
		6	MANUAL VALVE 872M
7	2A-Z0790	2	FITTING 3/8 CC X 3/8-27 824M
		3	FITTING 3/8 CC X 3/8-27 836M
		4	FITTING 3/8 CC X 3/8-27 848M
		5	FITTING 3/8 CC X 3/8-27 860M
		6	FITTING 3/8 CC X 3/8-27 872M
		2	FITTING 3/8 CC X 1/4 MPT 824T
	2K-Y7111	3	FITTING 3/8 CC X 1/4 MPT 836T
		4	FITTING 3/8 CC X 1/4 MPT 848T
		5	FITTING 3/8 CC X 1/4 MPT 860T
		6	FITTING 3/8 CC X 1/4 MPT 872T

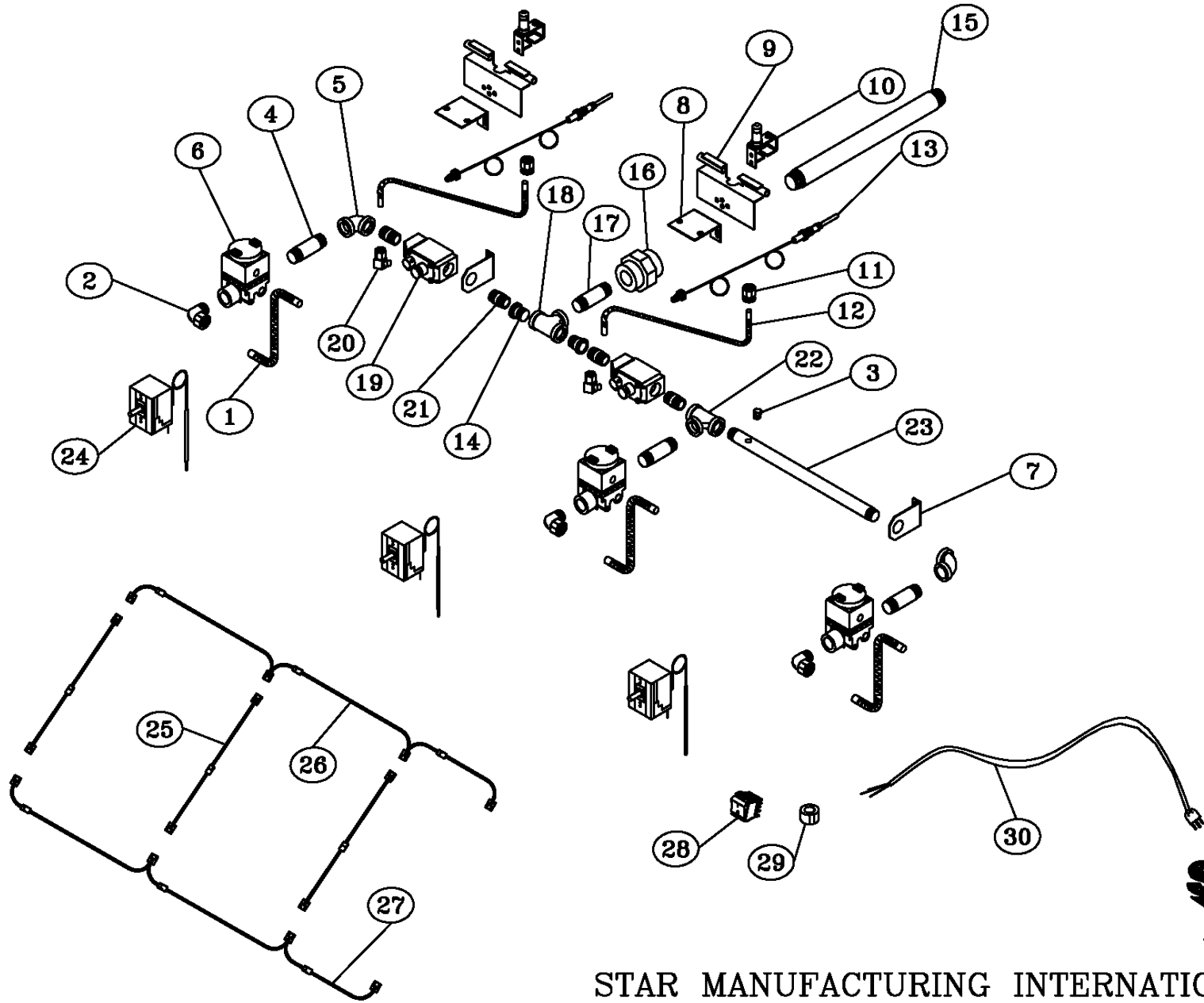
**IMPORTANT: WHEN ORDERING, SPECIFY VOLTAGE OR TYPE GAS DESIRED
INCLUDE MODEL AND SERIAL NUMBER**

PAGE 1
OF 1

Some items are included for illustrative purposes only and in certain instances may not be available.



Star Manufacturing International, Inc.



STAR MANUFACTURING INTERNATIONAL, INC.

DRAWING NO. SK1884 DATE: 1-20-02

MODEL: 836TS AND 836TSCHS

DR: SO

PARTS LIST

March 15, 2006, Rev. A

MODEL **836TS-LP and 836TSCHS-LP Series**

Key Number	Part Number	Number Per Unit	Description and Model Designation
1	2K-Z4921	3	BURNER FLEX TUBE 836TS/TSCHS
2	2K-2675	3	FITTING 3/8 CC X 3/8 MPT 836TS/TSCHS
3	2P-1453	1	PIPE PLUG 836TS/TSCHS
4	2K-Y5550	3	NIPPLE 3/8 NPT X 1 1/2 836TS/TSCHS
5	2K-2665	2	ELBOW 3/8 NPT 836TS/TSCHS
6	2J-Z4610	3	SOLENOID VALVE 836TS/TSCHS
7	G5-Z4907	2	MOUNTING BRACKET 836TS/TSCHS
8	G5-824019	2	PILOT BRACKET ASSY 836TS/TSCHS
9	G5-824018	2	FLASH TUBE BRACKET ASSY 836TS/TSCHS
10	2J-Z4608	2	PILOT BURNER 836TS/TSCHS
11	2A-Y2017	2	PILOT ORIFICE 836TS/TSCHS
12	2K-Z4920	2	PILOT TUBE FLEX 836TS/TSCHS
13	2J-Z4609	2	THERMOCOUPLE 836TS/TSCHS
14	2K-Z4617	2	REDUCER BUSHING 836TS/TSCHS
15	2K-Z4616	1	INLET PIPE 836TS/TSCHS
16	2K-Z5033	1	UNION 836TS/TSCHS
17	2K-Z4618	1	NIPPLE 3/4 NPT X 2 1/4 836TS/TSCHS
18	2K-Z5034	1	3/4 NPT TEE 836TS/TSCHS
19	2J-Z4607	2	SAFETY VALVE 836TS/TSCHS
20	2V-6671	2	PILOT VALVE 836TS/TSCHS
21	2K-Y4403	4	CLOSE NIPPLE 3/8 NPT 836TS/TSCHS
22	2K-9688	1	TEE 3/8 NPT 836TS/TSCHS
23	2K-Z4612	1	NIPPLE WITH PRESSURE TAP 836TS/TSCHS
24	2T-Z7440	3	ELEC. THERMOSTAT manufactured after 8/2005 836TS/TSCHS
	PS-Z9318	3	THERMOSTAT SERVICE KIT manufactured before 8/2005 836TS/TSCHS
25	G5-824015	3	WIRE ASSEMBLY #1 836TS/TSCHS
26	G5-836017	1	WIRE ASSEMBLY 836TS "C" 836TS/TSCHS
27	G5-836016	1	WIRE ASSEMBLY 836TS "L" 836TS/TSCHS
28	2E-Z1858	1	SWITCH 836TS/TSCHS
29	2K-Y2967	1	CORD BUSHING 836TS/TSCHS
30	N2-30409	1	CORD SET 836TS/TSCHS

**IMPORTANT: WHEN ORDERING, SPECIFY VOLTAGE OR TYPE GAS DESIRED
INCLUDE MODEL AND SERIAL NUMBER**

PAGE 1
OF 1

Some items are included for illustrative purposes only and in certain instances may not be available.



Star Manufacturing International, Inc.