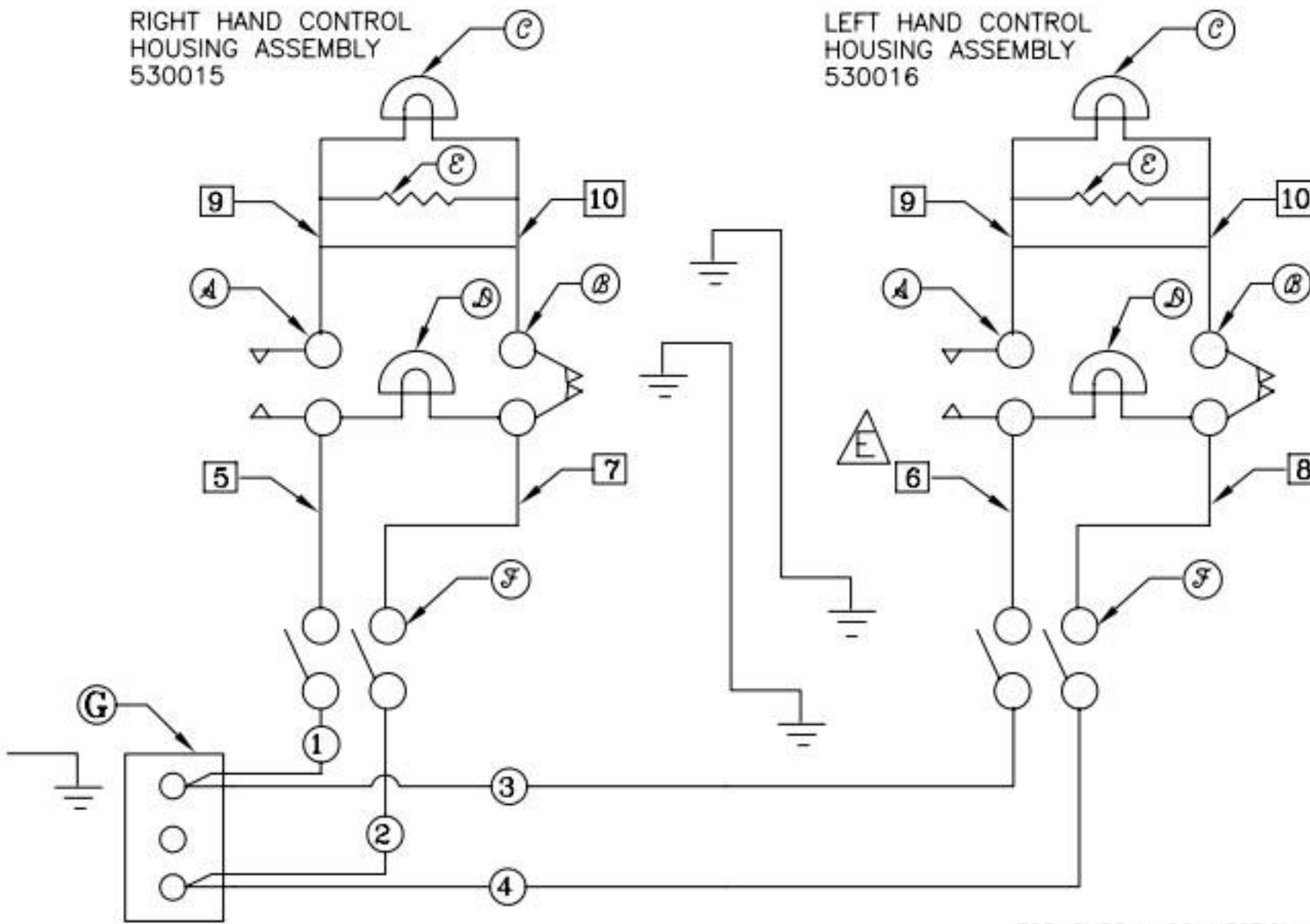


MATERIAL		FINISH		MODEL NO. 530T,TE		PART NO. SK1239	
DR.	DM	CK.	DATE	STAR MFG. INTERNATIONAL, INC.		TITLE	
LIMITS UNLESS OTHERWISE NOTED FRACTIONS ± 1/64 DECIMALS ± .005				9325 OLIVE BOULEVARD ST. LOUIS, MO 63132		WIRING DIAGRAM	
				CHANGES	LTR	DATE	CHANGE

D	1/9/92	REDRAWN	DM
E	8/25/98	(6) WAS (5) (8) WAS (7)	TL

RIGHT HAND CONTROL HOUSING ASSEMBLY 530015

LEFT HAND CONTROL HOUSING ASSEMBLY 530016



- (A) THERMOSTAT
- (B) HIGH LIMIT
- (C) HEATING LIGHT
- (D) POWER ON LIGHT
- (E) HEATING ELEMENT
- (F) 2-POLE SWITCH
- (G) POWER SUPPLY BLOCK

FOR SUPPLY CONNECTION USE COPPER WIRE RATED AT LEAST 90°C.

	MODEL 530TE		MODEL 530T	
	208V 1 PH.	240V 1 PH.	208V 1 PH.	240V 1 PH.
WATTS	6910	9200	8638	11500
AMPS	33.2	38.3	41.5	47.9
SUPPLY MIN AWG	#8	#8	#8	#6