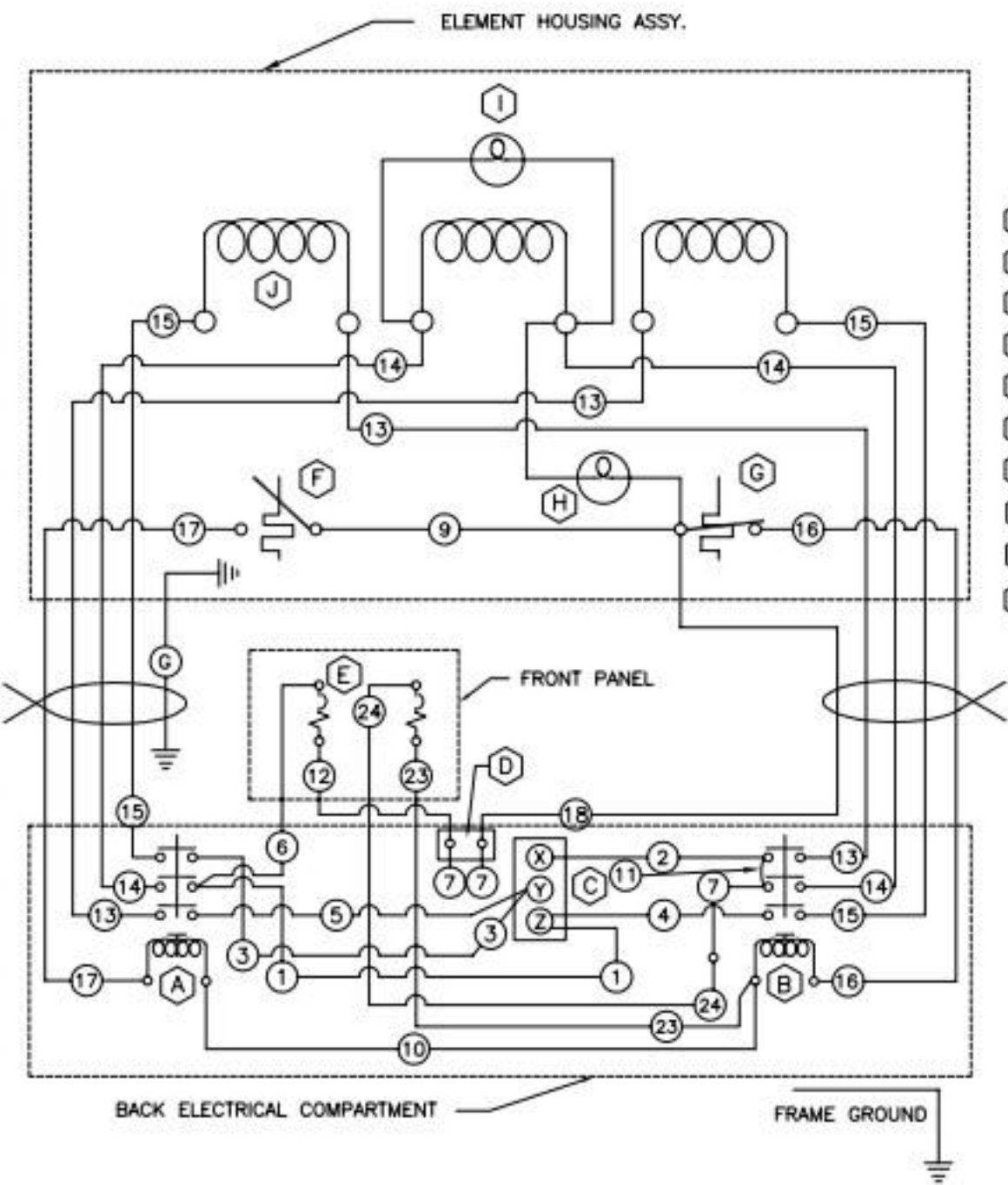
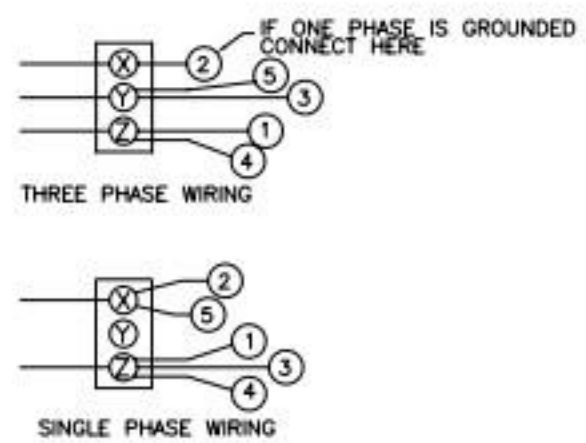


MATERIAL ~			FINISH ~			MODEL NO. 530F			PART NO. SK 1288		
DR. BN CK. DATE 10/20/93			STAR MFG. INTERNATIONAL, INC.			TITLE WIRING DIAGRAM					
LIMITS UNLESS OTHERWISE NOTED FRACTIONS $\pm 1/64$ DECIMALS $\pm .005$			10 SUNNEN DRIVE ST. LOUIS, MO 63143			CHANGES	LTR	DATE	CHANGE	DR	
						-		RELEASED FOR PRODUCTION	MN		
						A	3/10/95	#12 WIRE WAS #6	BN		



- (A) CONTACTOR (THERMOSTAT)
- (B) CONTACTOR (SAFETY THERMOSTAT)
- (C) TERMINAL BLOCK (SUPPLY)
- (D) TERMINAL BLOCK (FIRE SYSTEM) HANDLING 240V AT 13 V.A.
- (E) CIRCUIT BREAKER
- (F) THERMOSTAT
- (G) SAFETY THERMOSTAT
- (H) SIGNAL LIGHT (POWER ON)
- (I) SIGNAL LIGHT (HEATING)
- (J) ELEMENT (3) [3.83 KW EACH AT 240V]



WIRE SIZES:
 KEYS 1, 3, 5, 11, 13, 14, 15, GR - #14 GA.
 KEYS 2, 4 - #12 GA.
 KEYS 7 - #16 GA.
 ALL OTHER INTERNAL WIRING IS #18 GA.

THREE PHASE						SINGLE PHASE			
VOLTAGE									
208		220		240		208		240	
RATED WATTAGE									
8640		9660		11500		8640		11500	
NOMINAL AMPS PER LINE									
X	Y	Z	X	Y	Z	X	Y	Z	X, Z
24	24	24	25.4	25.4	25.4	27.7	27.7	27.7	41.5
FOR SUPPLY CONNECTIONS USE #8 AWG OR LARGER									SUPPLY CONNECTIONS
									6 AWG
									6 AWG

NOTE: FOR POWER SUPPLY CONNECTIONS USE COPPER WIRE SUITABLE FOR AT LEAST 90° C. (194° F)