

MATERIAL
 FINISH

MODEL NO.
515TG

PART NO.
SK 1895

DR. PMR CK. DATE **5/21/02**

TITLE **WIRING DIAGRAM 15" ELEC. GRIDDLE**

REVISIONS	LTR	DATE	DESCRIPTION OF CHANGE	DR

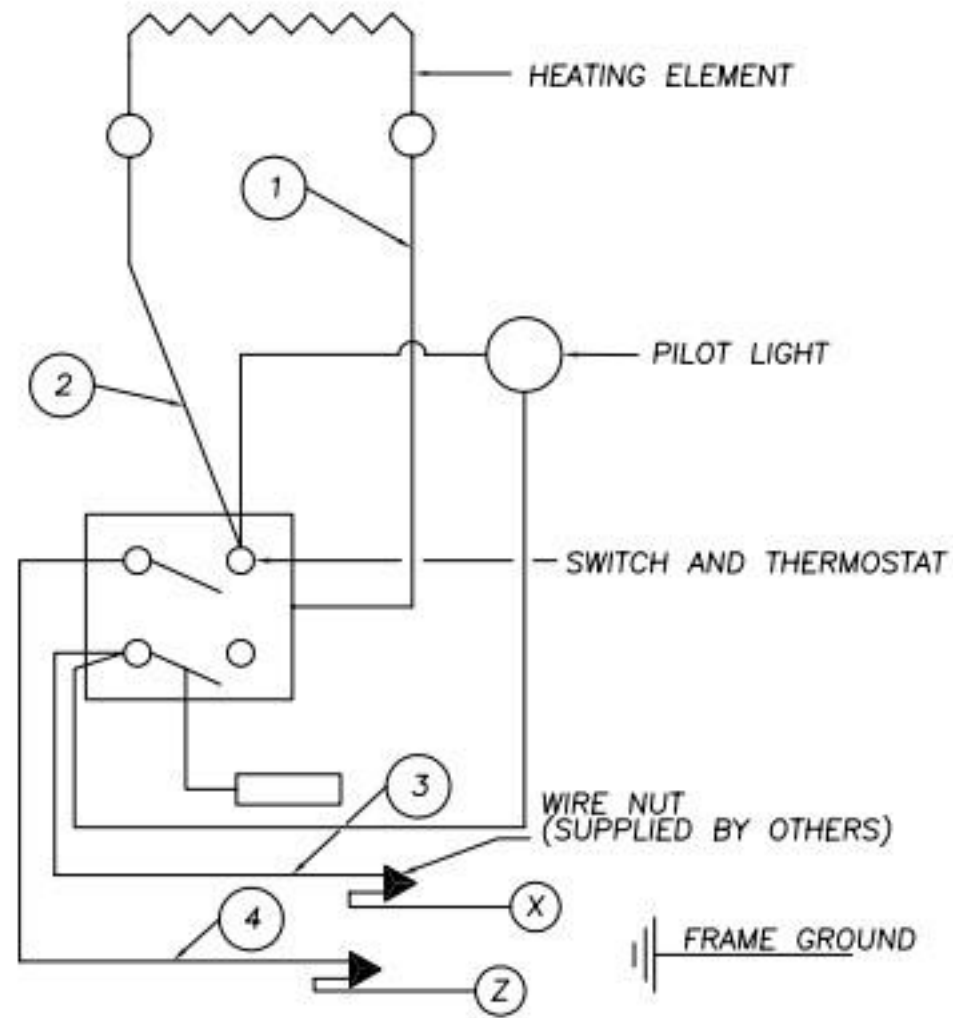
TOLERANCES UNLESS OTHERWISE NOTED
 FRACTIONS ±1/64 DECIMALS ±.005 ANGLES ±1°

THIS DRAWING CONTAINS INFORMATION CONFIDENTIAL TO STAR MFG. INT'L INC.
 NO REPRODUCTION OR DISCLOSURE OF ITS CONTENTS IS PERMITTED.

FOR SUPPLY CONNECTIONS
 USE GAUGE SHOWN OR
 LARGER

NOMINAL AMPS PER LINE WIRE	
3,004 WATTS	4,000 WATTS
208V-1 PHASE	240V-1 PHASE
14.44	16.66
AWG #14	AWG #14

- NOTE:
- FOR SUPPLY CONNECTIONS USE COPPER WIRE ONLY, SUITABLE FOR AT LEAST 90°C (194°F).
 - FOR REFERENCE: ALL INTERNAL WIRING IS #12 GA.



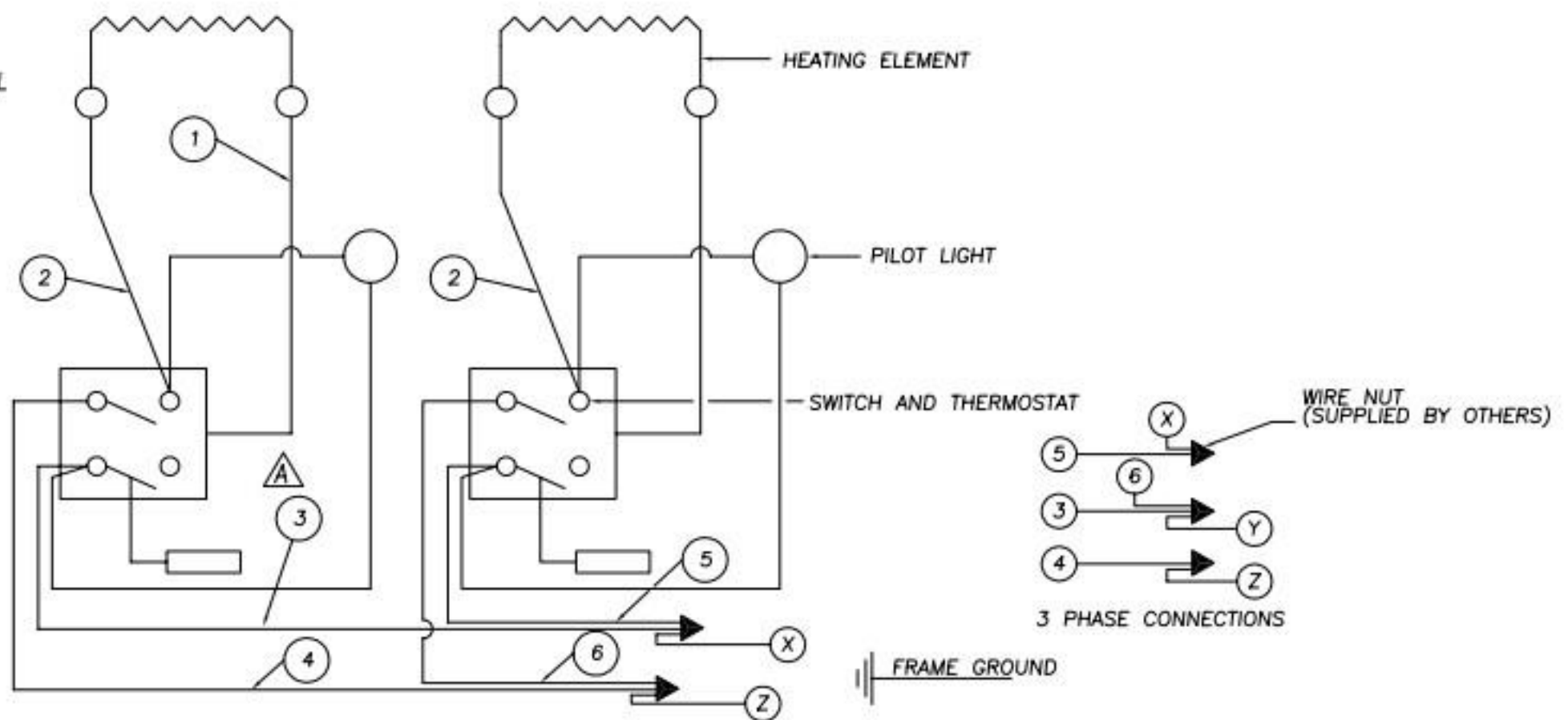
TOLERANCES UNLESS OTHERWISE NOTED
FRACTIONS ±1/64 DECIMALS ±.005 ANGLES ±1°

THIS DRAWING CONTAINS INFORMATION CONFIDENTIAL TO STAR MFG. INT'L. INC.
NO REPRODUCTION OR DISCLOSURE OF ITS CONTENTS IS PERMITTED.

NOMINAL AMPS PER LINE WIRE							
208V-3 PHASE			240V-3PHASE			208V	240V
6008 WATTS			8000 WATTS			1 PH	1 PH
X	Y	Z	X	Y	Z		
14.44	24.98	14.44	16.66	28.86	16.66	28.88	33.3
AWG #16	AWG #12	AWG #16	AWG #14	AWG #10	AWG #14	#10	AWG #8

FOR SUPPLY CONNECTIONS USE
GAUGE SHOWN OR LARGER

- NOTE:
- FOR SUPPLY CONNECTIONS USE COPPER WIRE ONLY, SUITABLE FOR AT LEAST 90°C (194°F).
 - FOR REFERENCE: ALL INTERNAL WIRING IS #12 GA.

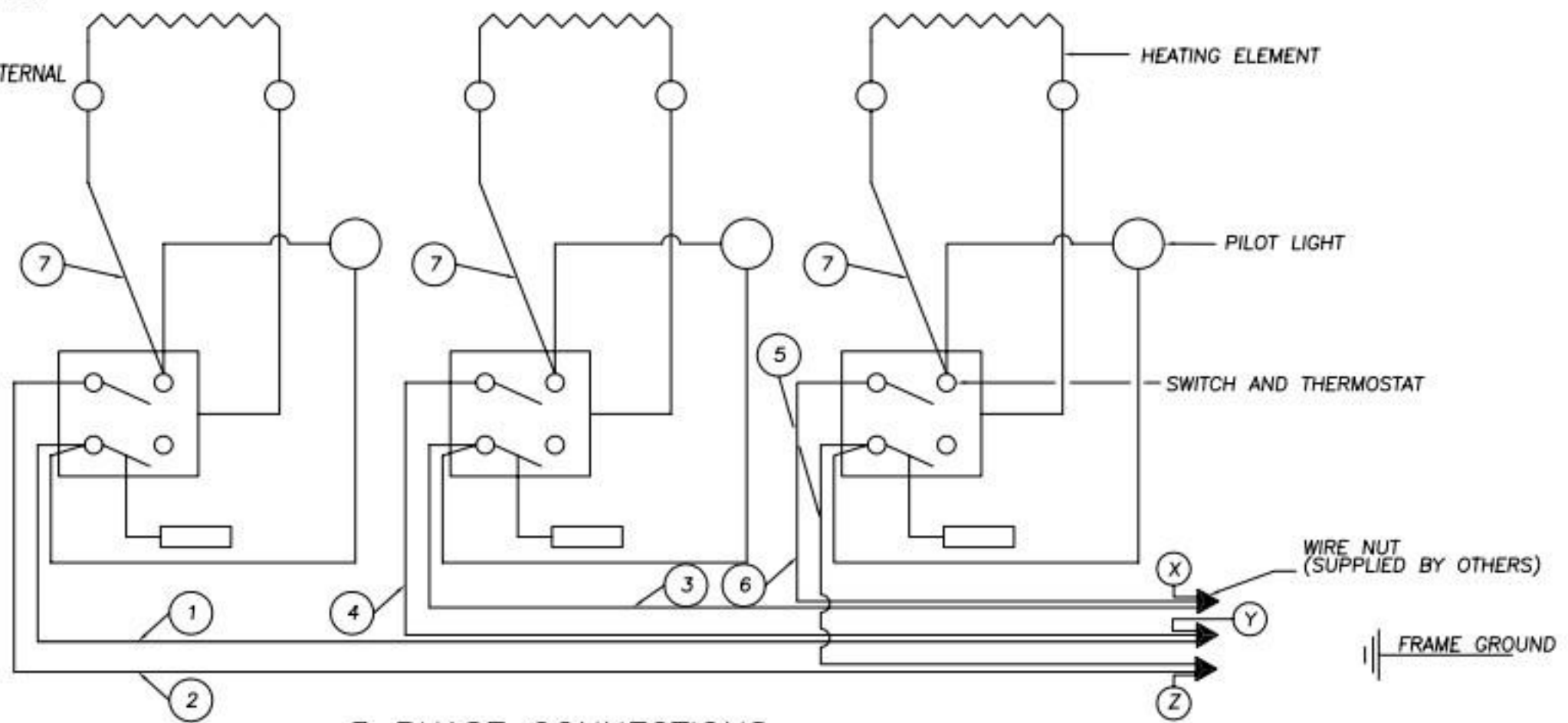


TOLERANCES UNLESS OTHERWISE NOTED
 FRACTIONS ±1/64 DECIMALS ±.005 ANGLES ±1'

THIS DRAWING CONTAINS INFORMATION CONFIDENTIAL TO STAR MFG. INT'L. INC.
 NO REPRODUCTION OR DISCLOSURE OF ITS CONTENTS IS PERMITTED.

NOMINAL AMPS PER LINE WIRE					
208V-3 PHASE			240V-3PHASE		
9,012 WATTS			12,000 WATTS		
X	Y	Z	X	Y	Z
25.0	25.0	25.0	28.9	28.9	28.9
AWG #12			AWG #10		

- NOTE:
- FOR SUPPLY CONNECTIONS USE COPPER WIRE ONLY, SUITABLE FOR AT LEAST 90°C (194°F).
 - FOR REFERENCE: ALL INTERNAL WIRING IS #12 GA.



3 PHASE CONNECTIONS

TOLERANCES UNLESS OTHERWISE NOTED
 FRACTIONS ±1/64 DECIMALS ±.005 ANGLES ±1°

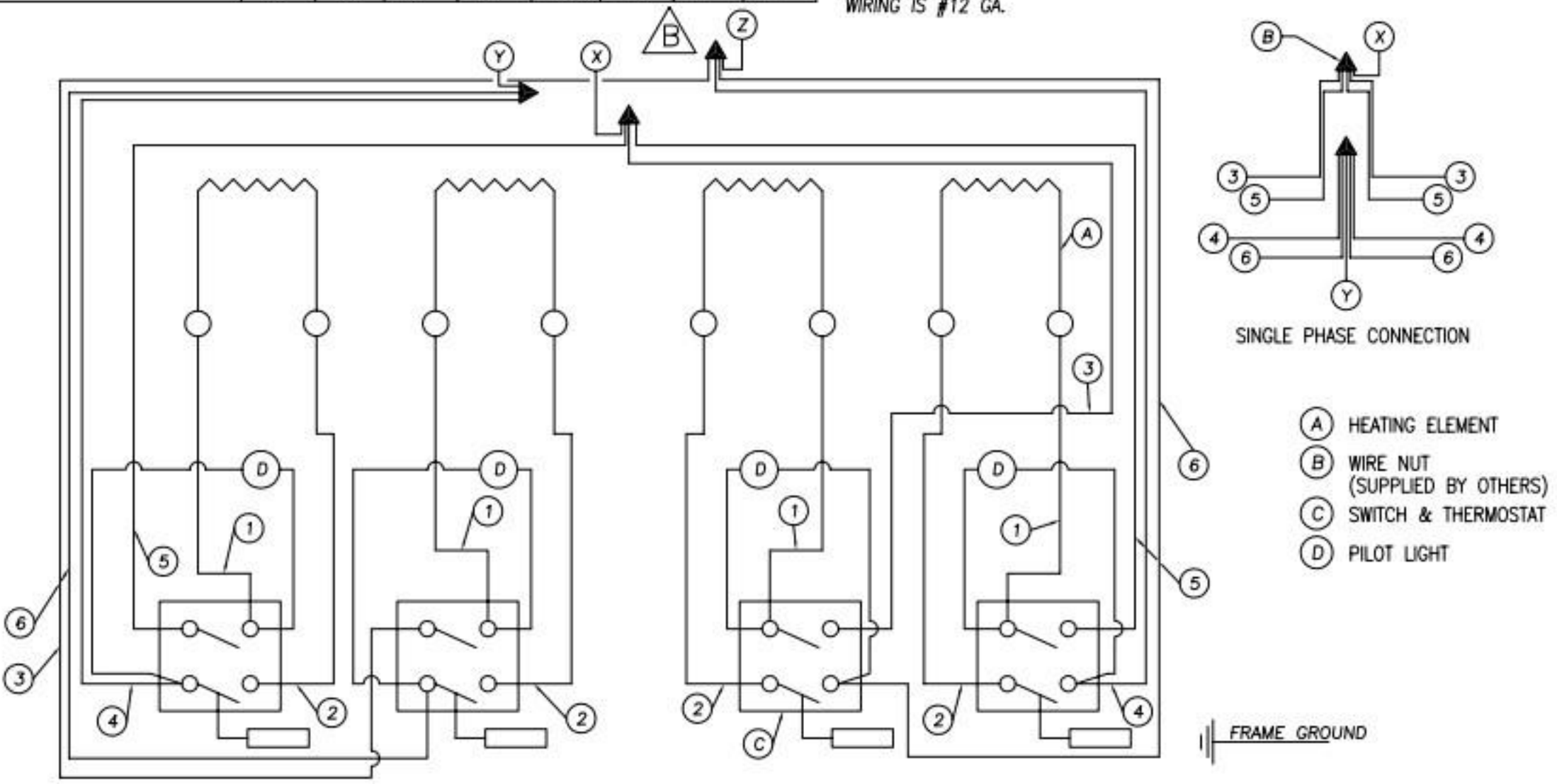
THIS DRAWING CONTAINS INFORMATION CONFIDENTIAL TO STAR MFG. INT'L INC.
 NO REPRODUCTION OR DISCLOSURE OF ITS CONTENTS IS PERMITTED.

REVISIONS	LTR	DATE	DESCRIPTION OF CHANGE	DR
		9-20-00	REDRAWN ON CAD	SO
B		11/13/02	SUPPLY CONNECTIONS WERE NOT TRANSFERRED CORRECTLY WHEN REDRAWN ON CAD. CORRECTED TO 208V, 1 PH, IS #4 AWG. 240V, 1 PH, IS #4 AWG.	PR

NOMINAL AMPS PER LINE WIRE							
208V-3 PHASE			240V-3PHASE			208V	240V
12,016 WATTS			16,000 WATTS			1 PH	1 PH
X	Y	Z	X	Y	Z		
38.2	24.99	38.2	44.18	28.9	44.18	57.8	66.7
AWG #6	AWG #8	AWG #6	AWG #6	AWG #10	AWG #6	AWG #4	AWG #4

NOTE:
 1) FOR SUPPLY CONNECTIONS USE COPPER WIRE ONLY, SUITABLE FOR AT LEAST 90°C (194°F).
 2) FOR REFERENCE: ALL INTERNAL WIRING IS #12 GA.

FOR SUPPLY CONNECTIONS, USE GAUGE SHOWN OR LARGER.



3 PHASE CONNECTIONS

SINGLE PHASE CONNECTION

- (A) HEATING ELEMENT
- (B) WIRE NUT (SUPPLIED BY OTHERS)
- (C) SWITCH & THERMOSTAT
- (D) PILOT LIGHT

|| FRAME GROUND