

MATERIAL

FINISH

MODEL NO.  
515,515D  
515E,515ED

PART NO.  
SK1990

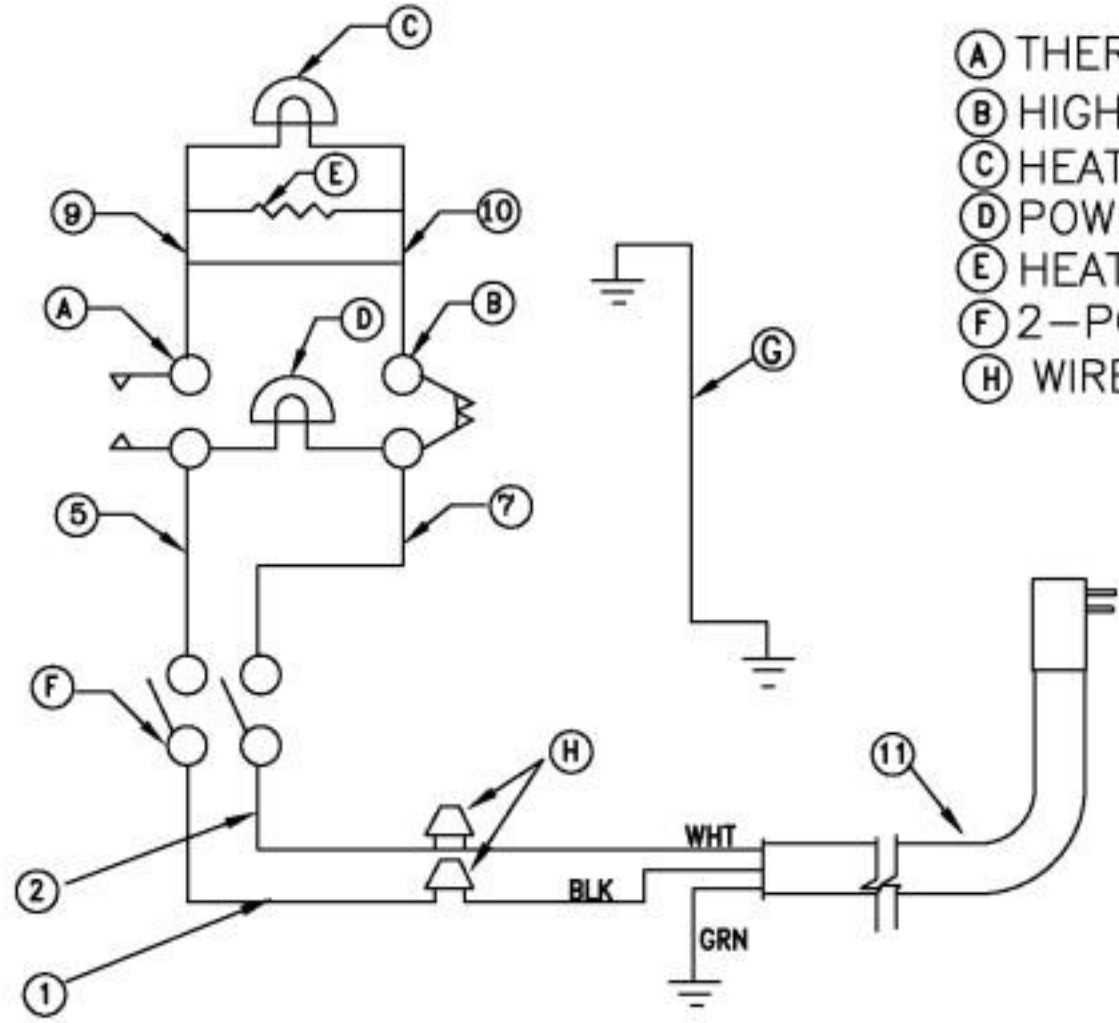
DR. DWD CK. DATE 05/19/03

STAR MFG. INTERNATIONAL, INC.  
10 SUNNEN DRVE ST. LOUIS, MO 63143

TITLE WIRING DIAGRAM

LIMITS UNLESS OTHERWISE NOTED  
FRACTIONS ± 1/64 DECIMALS ± .005

CHANGES	LTR	DATE	CHANGE	DR
-	-	-	-	-



- Ⓐ THERMOSTAT
- Ⓑ HIGH LIMIT
- Ⓒ HEATING LIGHT
- Ⓓ POWER ON LIGHT
- Ⓔ HEATING ELEMENT
- Ⓕ 2-POLE SWITCH
- Ⓖ WIRE NUT

	MODEL 515ED		MODEL 515D	
	208V 1 PH.	240V 1 PH.	208V 1 PH.	240V 1 PH.
WATTS	3455	4600	4319	5750
AMPS	16.6	19.2	20.8	24.0
SUPPLY MIN AWG	#14	#14	#12	#12