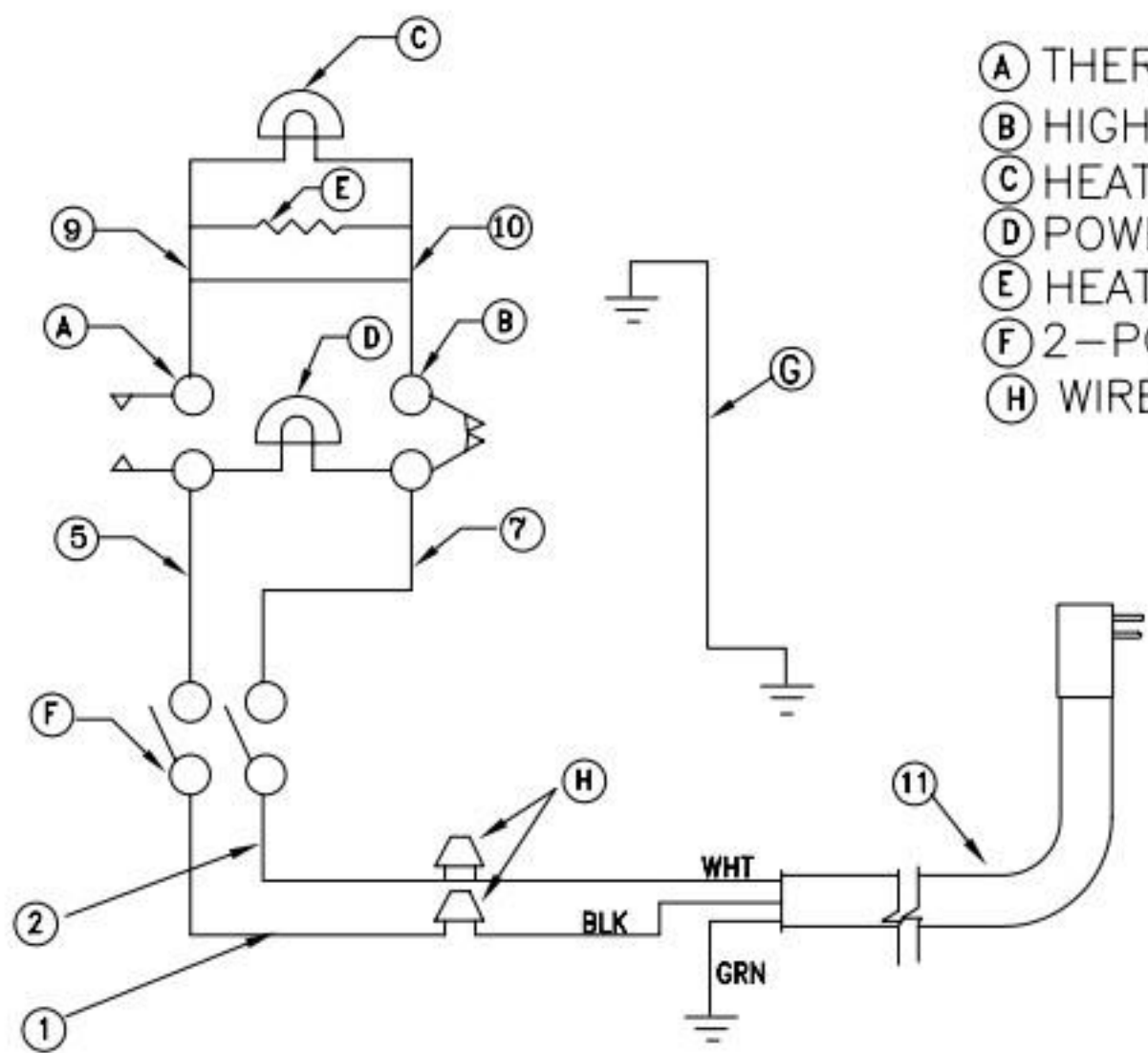


MATERIAL -			FINISH -			MODEL NO. 515; 515E		PART NO. Y5287	
DR. MP	CK.	DATE 04-12-88	STAR MFG. INTERNATIONAL, INC. 10 SUNNEN DRIVE ST. LOUIS, MO 63143			TITLE WIRING DIAGRAM			
LIMITS UNLESS OTHERWISE NOTED FRACTIONS ± 1/64 DECIMALS ± .005									
CHANGES		LTR	DATE	CHANGE	DR				
		A	01-12-88	NEW DRAWING	MP				
		B	09-03-98	REDRAWN TO CAD	TL				



- Ⓐ THERMOSTAT
- Ⓑ HIGH LIMIT
- Ⓒ HEATING LIGHT
- Ⓓ POWER ON LIGHT
- Ⓔ HEATING ELEMENT
- Ⓕ 2-POLE SWITCH
- Ⓖ WIRE NUT

	MODEL 515E		MODEL 515	
	208V 1 PH.	240V 1 PH.	208V 1 PH.	240V 1 PH.
WATTS	3455	4600	4319	5750
AMPS	16.6	19.2	20.8	24.0
SUPPLY MIN AWG	#14	#14	#12	#12