



**Star  
Manufacturing  
International Inc.**

10 Sunnen Dr.  
St. Louis, MO 63143

Phone: (314) 678-6303  
FAX: (314) 781-2714

**Accessory  
Instructions**

2M-Z17902 Rev.- 12/04/2013

## Roller Grill Surround Divider Kit

*Protected by U.S. Pat 7,334,517*

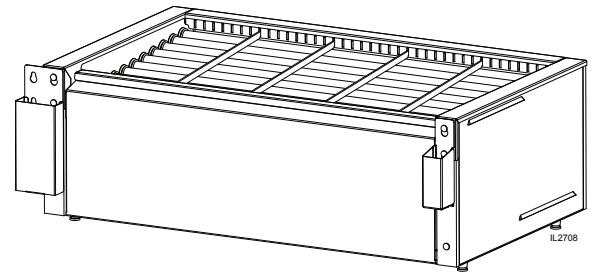
### Divider Installation (Surround Kit)

These instructions are to add merchandiser dividers to your Star Roller Grill. The grill does not need disassembling, but does need to have the power turned off and allowed to cool. Once completed, the Dividers will keep your product separated, and the dividers will not touch the rollers.

**Tools Required:** None.

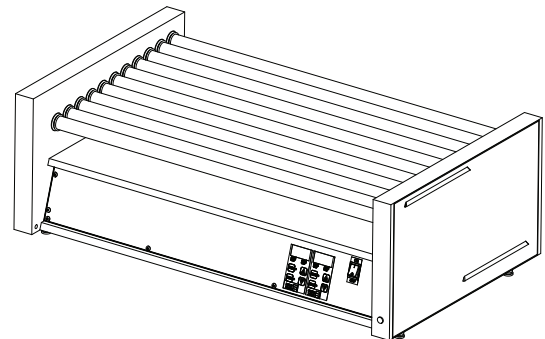
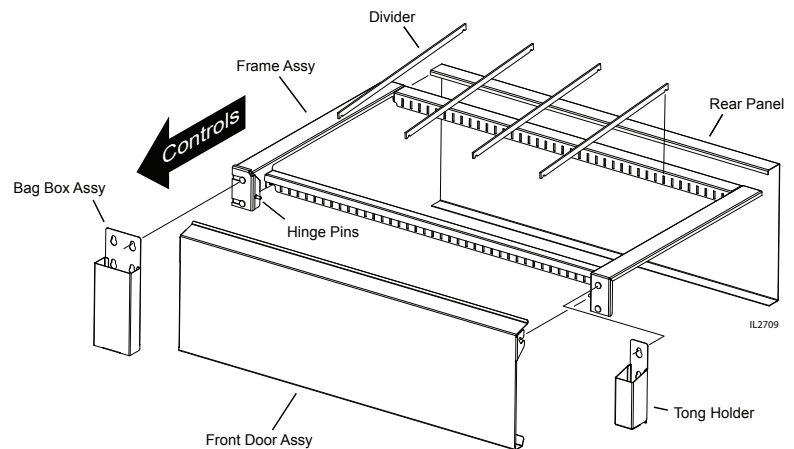


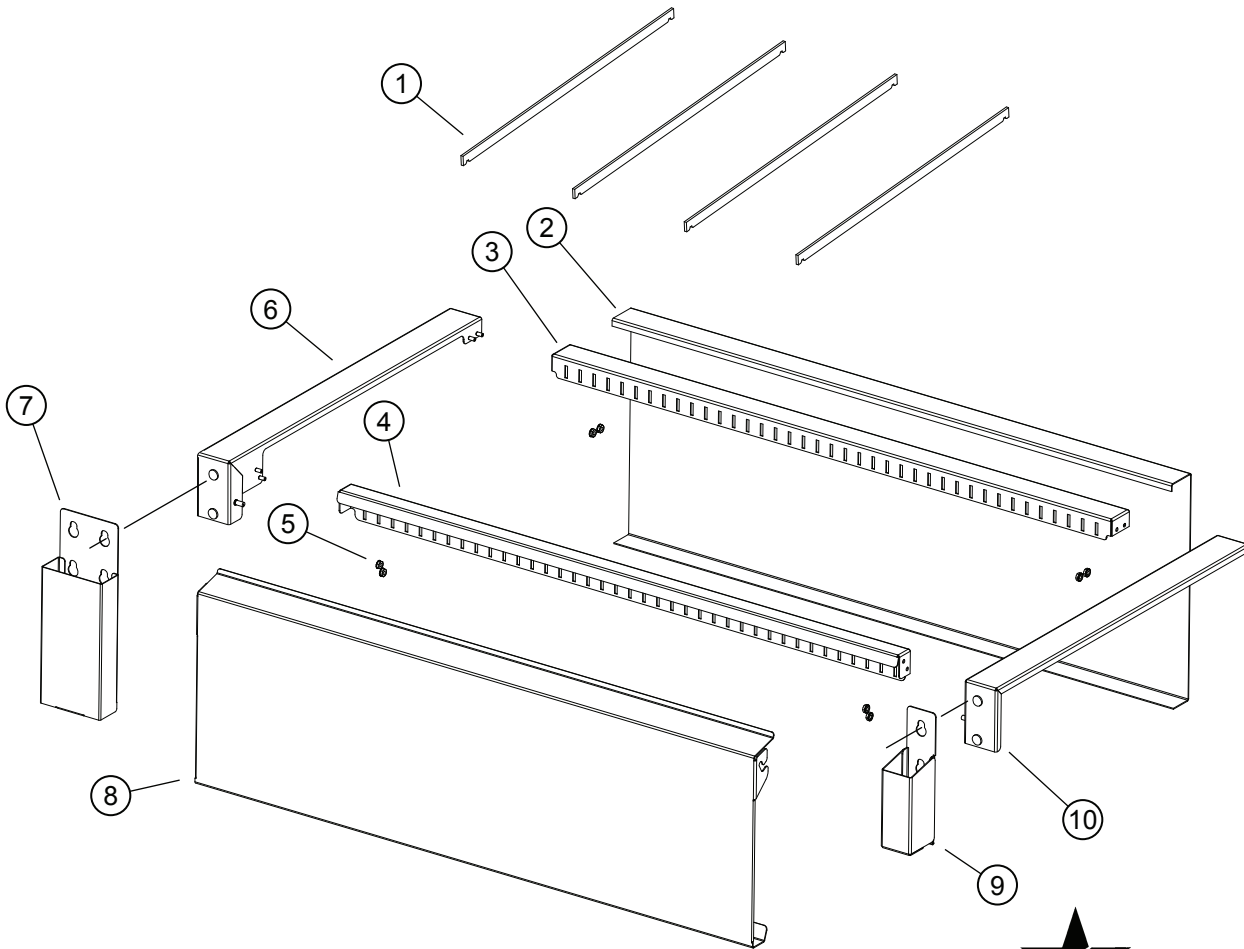
**UNPLUG UNIT BEFORE  
PROCEEDING.**



### ASSEMBLY INSTRUCTIONS

1. With unit OFF, place the Frame Assy on the rollergrill, making sure the hinge pins are on the controls side of the unit.
2. Place the slots on Front Door Assy on the hinge pins located on the Frame Assy. The bottom of the door should now be able to be raised up to reveal the controls.
3. Hang the Rear Panel on the back of the Frame Assy.
4. Install the 4 dividers provided into the slots, adjust the spacing between the dividers so your product can fit.
5. Place the Bag Box Assy on the left side as shown here, and the Tong Holder on the right side.





**MODEL: 50RGSURDK-RT:**  
Narrow Surround Divider Accessory

SK2710 Rev. - 12/04/13

Model: 50RGSURDK-RT Surround & Divider Accessory			
Fig No	Part No.	Qty	Description
1	A5-Z17403	4	DIVIDER
2	A5-Z17404	1	REAR PANEL
3	A5-Z17401	1	REAR SUPPORT
4	A5-Z17402	1	FRONT SUPPORT
5	2C-Z3447	8	NUT 8-32 HEX W SS
6	A5-RG50127	1	LEFT SUPPORT
7	A5-RG50128	1	BAG BOX ASSY
8	A5-RG50130	1	FRONT DOOR ASSY
9	A5-RG50131	1	TONG HOLDER ASSY
10	A5-RG50129	1	RIGHT SUPPORT ASSY

December 4, 2013, Rev. -