



**Star
Manufacturing
International Inc.**

10 Sunnen Dr.
St. Louis, MO 63143

Phone: (314) 781-2777
FAX: (314) 781-2714

Accessory Instructions

2M-Z11569 Rev. A 3/25/2009

Roller Grill Merchandiser

Protected by U.S. Pat 7,334,517

50RGDKB Only
10/18/2013 BBE

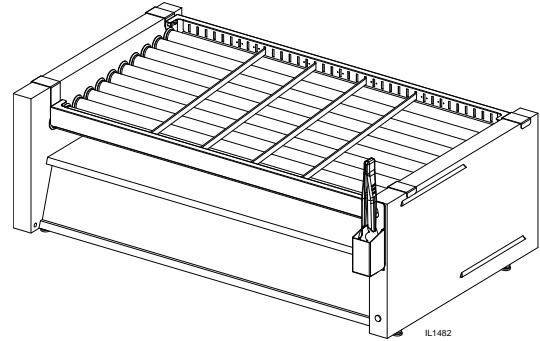
Divider Installation (B Series)

These instructions are to add merchandiser dividers to your (*Stadium Seating*) Star Roller Grill. The unit does not need disassembling, but does need to have the power turned off and allowed to cool. Once completed, the Dividers will keep your product separate, but not touch the rollers.

Tools Required: NONE

Contents:

- Mounting Bracket - Short
- Mounting Bracket - Long
- 2 or 4 Dividers depending on application



CAUTION

UNPLUG UNIT BEFORE PROCEEDING.

