



Star
Manufacturing
International Inc.

10 Sunnen Dr.
St. Louis, MO 63143

Phone: (314) 781-2777
FAX: (314) 781-2714

Accessory
Instructions

2M-Z10892 Rev. A 7/9/2009

Roller Grill Merchandiser Divider Installation (A Series)

These instructions are to add merchandiser dividers & identifiers to your (*Stadium Seating*) Star Roller Grill. The unit does not need disassembling, but does need to have the power turned off and allowed to cool. Once completed, the Dividers will keep your product separate, but not touch the rollers.

Tools Required: NONE

Contents:

- 2 Magnetic Brackets - **Short**
- 2 Magnetic Brackets - **Long**
- 2 Divider Mounting Brackets
- 2 or 4 Dividers depending on application

INSTALLATION:



CAUTION

UNPLUG UNIT BEFORE PROCEEDING.

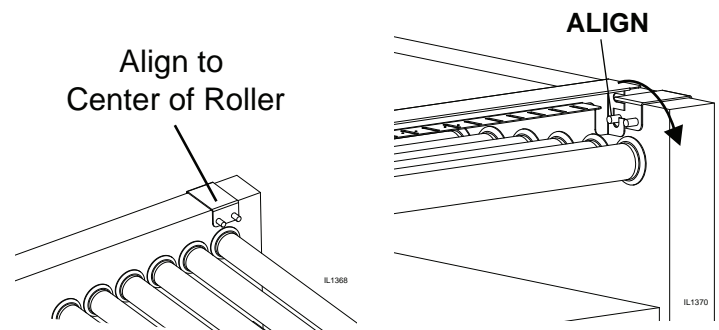


Figure 1

Figure 2

1. Remove the sneeze guard.
2. Refer to Figure 1 and attach the Long Magnetic Brackets to the roller grill side, centered over the roller, located at the lowest point on the roller grill.
3. Install the Short Magnetic brackets at the opposite end of the roller grill.
4. Position the Divider Mounting Brackets near the two studs on the Magnetic Brackets, as shown in Fig. 2.
5. Pull the Divider Mounting Bracket UP and rotate until the slots are on the studs of the Magnetic brackets. The Divider Mounting Brackets should not move.
6. Insert the adjustable Dividers in one end of the Divider Mounting Brackets.
7. Move the opposite Divider Mounting Bracket away from the Divider ends.
8. Lower the divider ends and slide the Divider Mounting bracket toward the Divider and insert the Divider into the Divider Mounting Bracket.

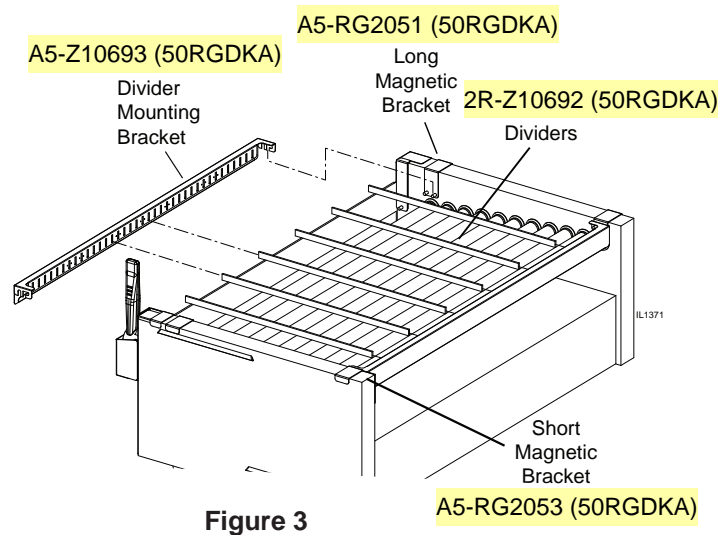


Figure 3