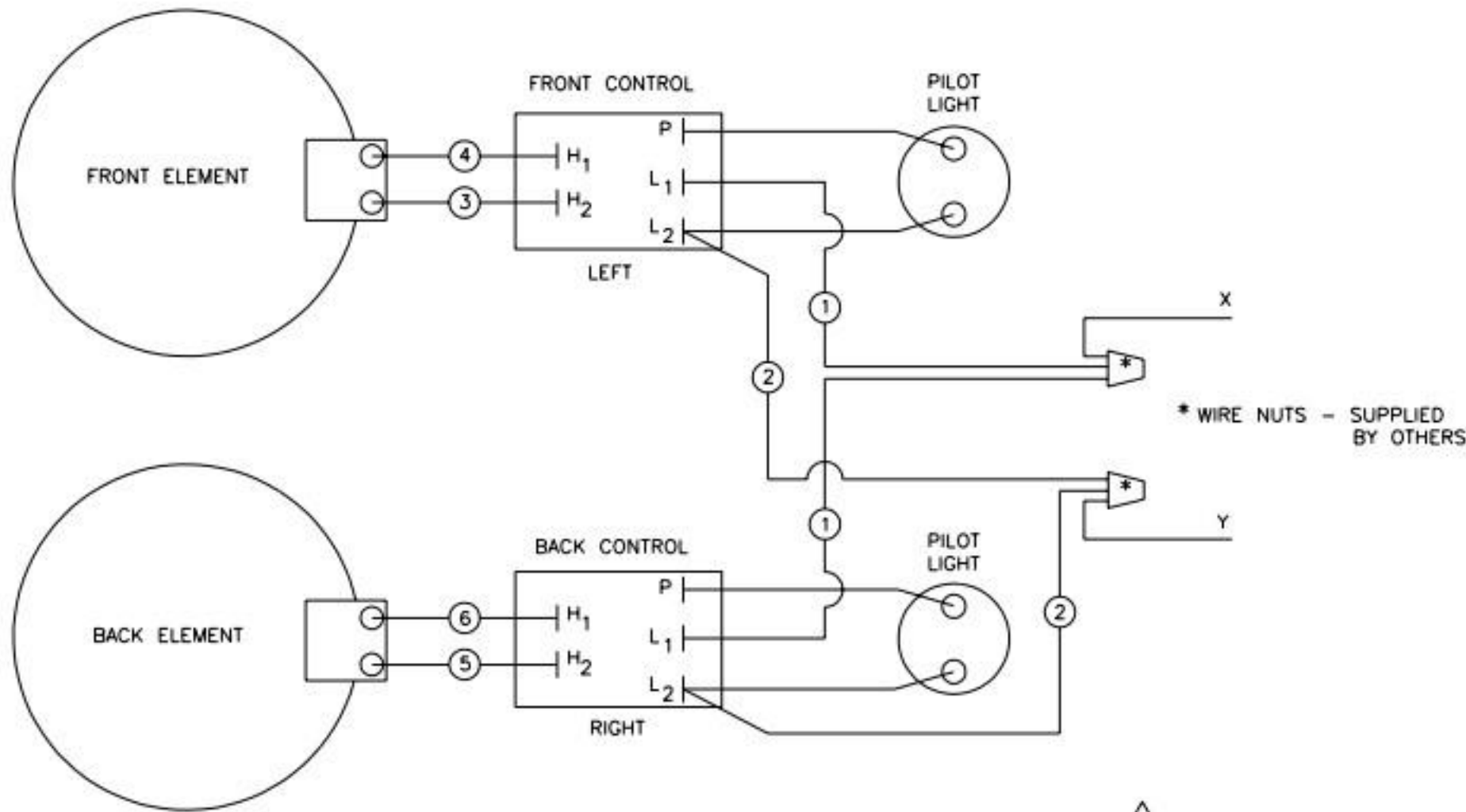


MATERIAL			FINISH			MODEL NO. 502/502F		PART NO. SK1331	
DR. DM	CK.	DATE 1/22/91	STAR MFG. INTERNATIONAL, INC. 9325 OLIVE BOULEVARD ST. LOUIS, MO 63132			TITLE WIRING DIAGRAM			
LIMITS UNLESS OTHERWISE NOTED FRACTIONS $\pm 1/64$ DECIMALS $\pm .005$						CHANGES		LTR	DATE
502F	502	502F	502		A	9/18/94	REDRAWN TO CAD 90 DEG. C WAS 60 DEG. C	BN	
RATED WATTAGE	RATED WATTAGE	NOMINAL AMPS PER LINE WIRE		NOMINAL AMPS PER LINE WIRE					
5200 (240V)	4200 (240V)	208 V (1 PH)	240 V (1 PH)	208 V (1 PH)	240 V (1 PH)				
3900 (208V)	3150 (208V)	18.77	21.66	15.14	17.5				
FOR SUPPLY CONNECTIONS USE GA. SHOWN (OR LARGER)		AWG #10	AWG #10	AWG #12	AWG #10				



NOTE: FOR SUPPLY CONNECTIONS USE COPPER WIRE ONLY, SUITABLE FOR AT LEAST 90 DEG. C (194 DEG. F)