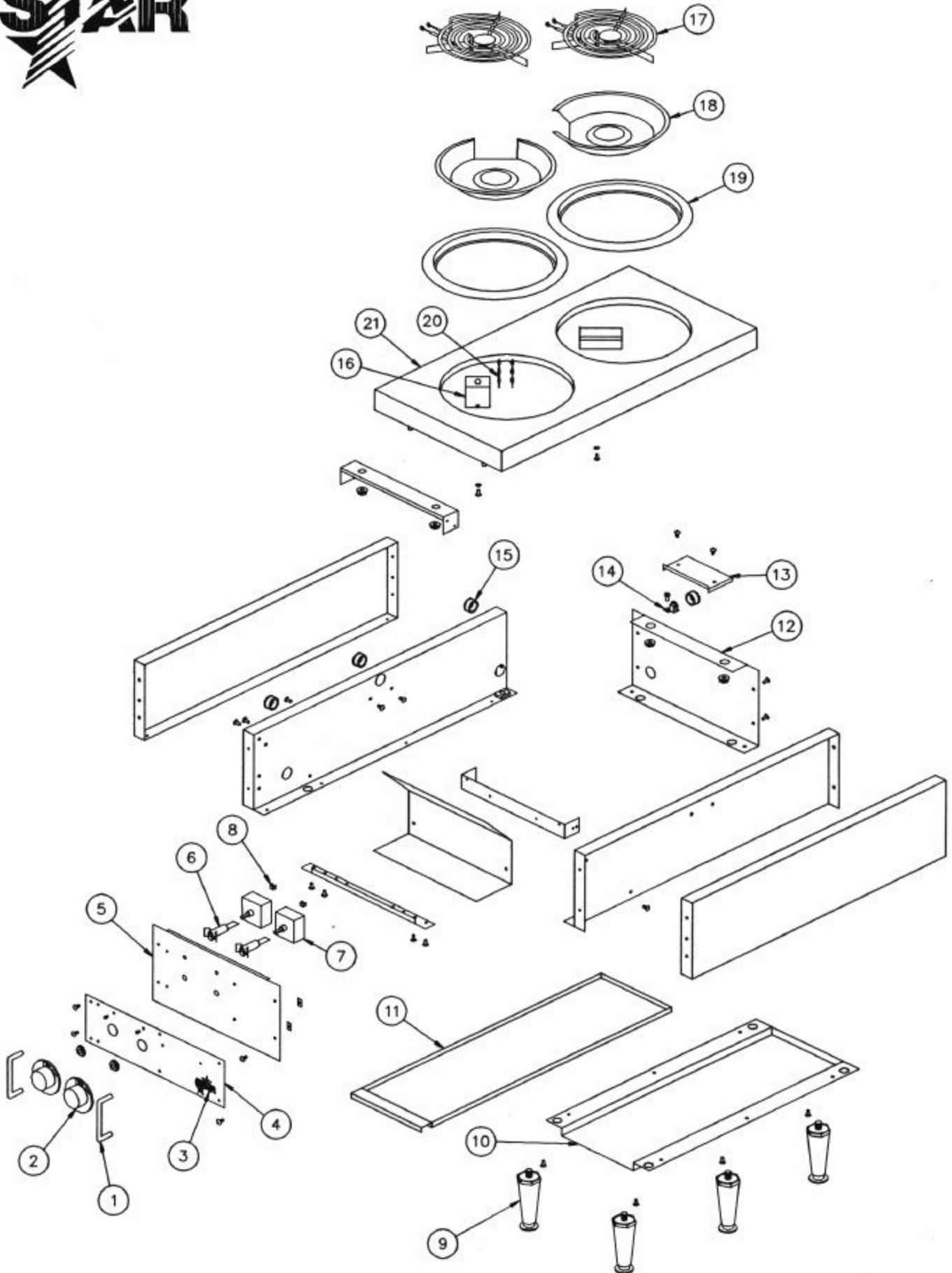




STAR MANUFACTURING INTERNATIONAL, INC.



MODEL 502

PARTS LIST

EFFECTIVE— March 18, 2009 RB

MODEL 502
STAR-MAX ELECTRIC HOT PLATE

KEY NUMBER	PART NUMBER	NUMBER PER UNIT	DESCRIPTION
1	2R-8229	2	SHIELD-KNOB
2	2R-9781	2	KNOB-THERMOSTAT
3	2M-Y7134	1	EMBLEM-STAR
4	I3-Y7454	1	PANEL, VINYL
5	I3-Y7453	1	FRONT PANEL
6	2J-Y7114	2	PILOT LIGHT
7	2J-6403	2	CONTROL-INFINITE 240V
8	2C-9938	2	ADAPTER-TERMINAL
9	2R-Y5092	4	LEG
10	I3-Y7708	1	SLIDE, DRAWER
11	I3-Y7694	1	DRAWER
12	I3-502010	1	BACK WELD ASSEMBLY
13	G3-Y7788	1	COVER, HANDY BOX
14	2C-Y2344	1	TERMINAL-GROUND
15	2K-8043	4	BUSHING
16	I3-Y7822	2	COVER-TERMINAL BLOCK
17	2N-Y7779	2	ELEMENT W/Ceramic Block
18	2D-6470	2	PAN-REFLECTOR
19	2P-6468	2	RING-ELEMENT ADAPTER
20	I3-Y7891	4	CHAIN STRAIN RELIEF
21	I3-502001	1	TOP WELD ASSEMBLY

*SUGGESTED PARTS STOCKING-

IMPORTANT: WHEN ORDERING SPECIFY VOLTAGE OR TYPE GAS DESIRED
 INCLUDE MODEL AND SERIAL NUMBER-(1) MINIMUM PARTS ORDER-\$5.00

PAGE 1
 OF 1



STAR MANUFACTURING INTERNATIONAL, INC.

9325 OLIVE BLVD. • P.O. BOX 8492 • ST. LOUIS, MO 63132
 PHONE: (314) 994-0880 • FAX: (314) 994-0406