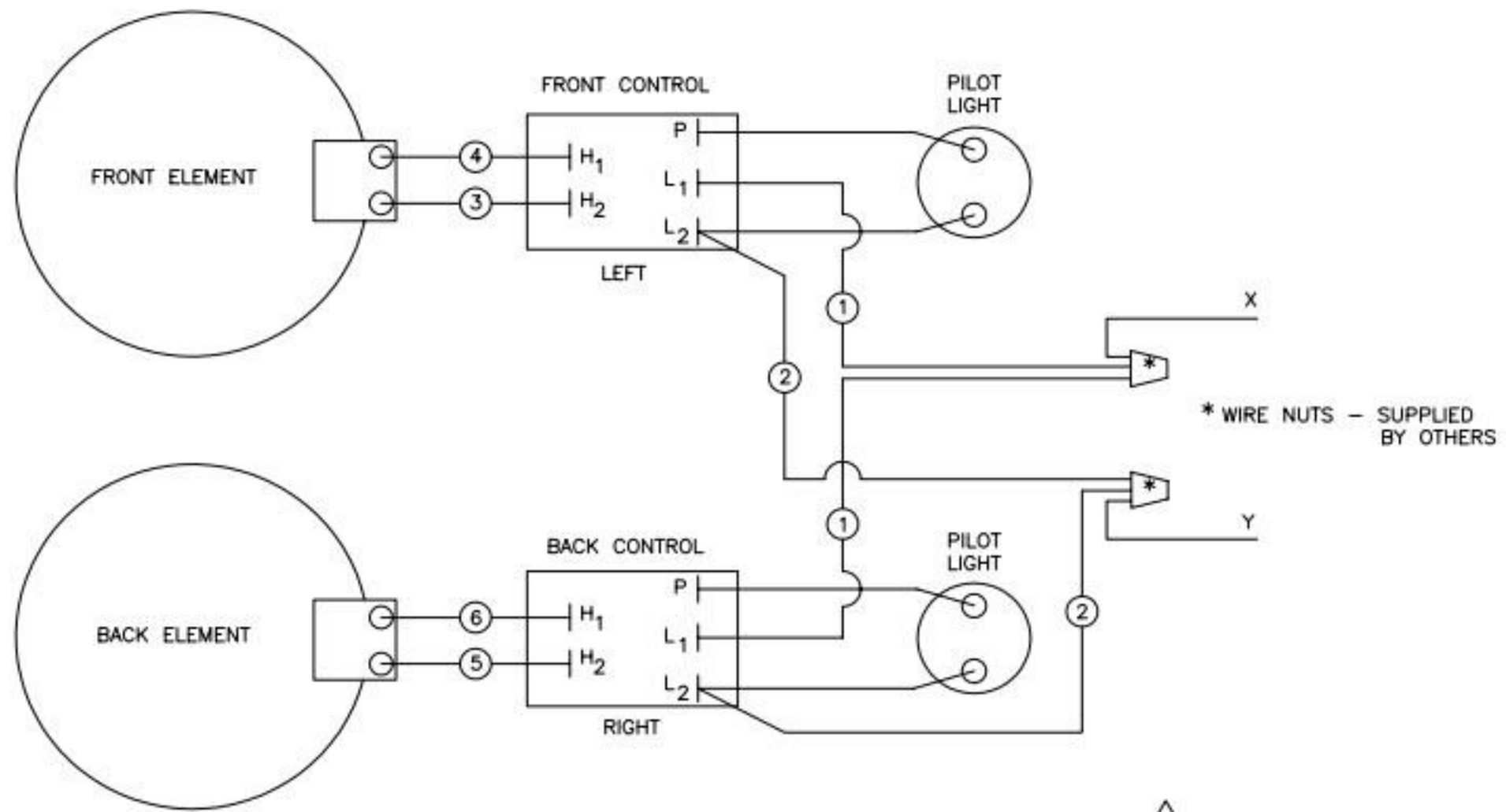


MATERIAL			FINISH			MODEL NO. 502/502F		PART NO. SK1331		
DR. DM	CK.	DATE 1/22/91	STAR MFG. INTERNATIONAL, INC.			TITLE WIRING DIAGRAM				
LIMITS UNLESS OTHERWISE NOTED FRACTIONS ± 1/64 DECIMALS ± .005			9325 OLIVE BOULEVARD ST. LOUIS, MO 63132			CHANGES	LTR	DATE	CHANGE	DR
502F		502		502F		502				
RATED WATTAGE		RATED WATTAGE		NOMINAL AMPS PER LINE WIRE		NOMINAL AMPS PER LINE WIRE				
5200 (240V)		4200 (240V)		208 V (1 PH)		240 V (1 PH)				
3900 (208V)		3150 (208V)		18.77		21.66				
				15.14		17.5				
FOR SUPPLY CONNECTIONS USE GA. SHOWN (OR LARGER)		AWG #10		AWG #10		AWG #12		AWG #10		

	A	9/18/94	REDRAWN TO CAD 90 DEG. C WAS 60 DEG. C	BN
--	---	---------	---	----



NOTE: FOR SUPPLY CONNECTIONS USE COPPER WIRE ONLY, SUITABLE FOR AT LEAST 90 DEG. C (194 DEG. F)