

REFER TO THE PARTS LIST SPECIFIC TO YOUR MODEL FOR MORE DETAIL INFORMATION.

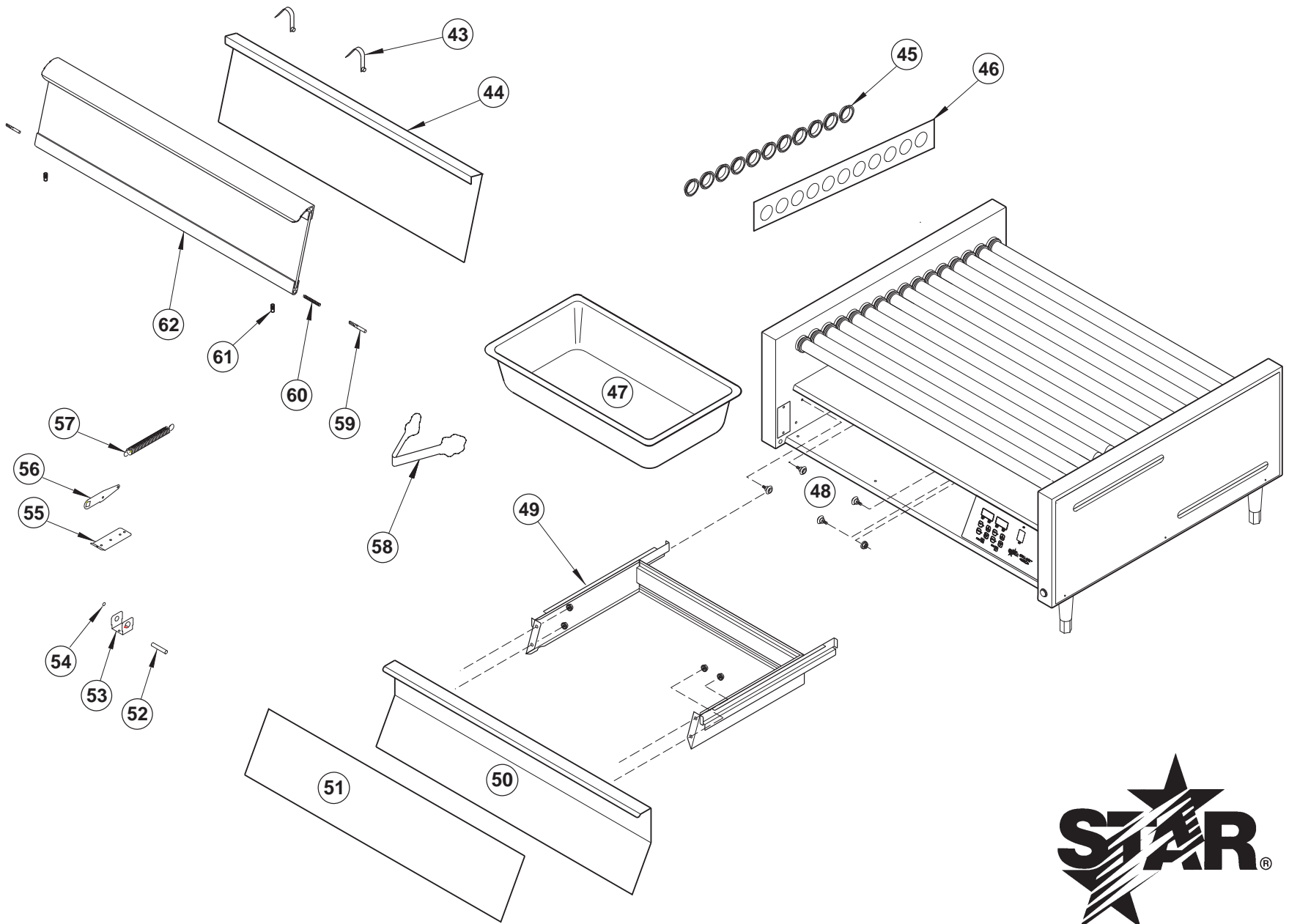
**STAR MANUFACTURING INTERNATIONAL INC.**

SK2109

Rev. B

2/15/11





REFER TO THE PARTS LIST SPECIFIC TO  
YOUR MODEL FOR MORE DETAIL INFORMATION.

**STAR MANUFACTURING INTERNATIONAL INC.**

SK2110

01-14-05

# PARTS LIST

June 9, 2011, Rev. -

Model: 45SCFT & 45SCFET Grill-Max Tri-Zone Rollergrill				
Fig No.	Part Number	Qty	Description	Application
1	A5-RG4581	1	BODY AY., 45 FLAT	ALL
2	A5-Z2186	1	DRIP TRAY 45	ALL
3	A5-Z8411	1	BACK-CHAIN RETAINER 45/75	ALL
4	A5-Z8412	1	ANGLE-CHN RETAINER 45/75	ALL
5	A5-Z13866	2	SIDE PANEL	ALL
6	2N-Z2178	16	ELEMENT 120V 30/45	ALL
7	A5-Z6615	1	CHAIN GUIDE - LOWER	ALL
8	2P-Z2266	1	ROLLER CHAIN 45A/75A	ALL
9	A5-RG4565	16	ROLLER ASY HIGRIP 30S/45S	ALL
10	2P-Z8392	3	IDLER SPROCKET ASSEMBLY	ALL
11	2A-Z8017	3	BUSHING IDLER	ALL
12	A5-RG30121	1	IDLER ARM ASSY	ALL
13	2P-Z8074	1	EXTENSION SPRING	ALL
14	2P-Z11853	1	MOTOR SPROCKET	ALL
15	2U-Z11854	1	MOTOR GEAR, 120V	ALL
16	A5-RG5071	1	MOTOR MOUNT ASSY FLAT RGS	ALL
17	A5-RG2036	1	CORD SET 120V W/TERMINALS	ALL
18	2K-Y2968	1	BUSHING - HEYCO 7W-2	ALL
22	A5-Z9344	1	INSIDE MOUNTING BRACKET	45SCFT-120V
23	2J-Z14323	2	INFINITE CONTROL-120V	45SCFT-120V
24	2K-Z1971	9	SPACER .257X .75X .25 NYLON	45SCFET-120V
26	2J-Z13632	1	THERMISTOR, FRONT .250" DIA	45SCFET-120V
27	2J-Z13633	1	THERMISTOR, REAR .125" DIA	45SCFET-120V
28	2E-Z13638	1	ELECTONIC CONTROL RG	45SCFET-120V
30	A5-Z7651	1	CONTROL PANEL 30C/45C	45SCFT-120V
	A5-RG3069		CONTROL PANEL ASSY	45SCFET-120V
31	2M-Z13593	1	OVERLAY, HOLD ZONE	ALL
	2M-Z13594		OVERLAY, COOK ZONE	ALL
	2M-Z8329		LABEL-CNTRL PNL 30SC/45SC	45SCFT-120V
	2M-Z8332		LABEL-CNTRL PNL 30SCE	45SCFET-120V
32	2J-Z2329	3	PILOT LIGHT	45SCFT-120V
		1		45SCFET-120V
33	2E-Z1858	1	SWITCH-LIGHTED	ALL
34	2R-Z1854	2	KNOB-CONTROL	45SCFT-120V
35	A5-Z2510	4	PANEL-INSULATOR 45	ALL
36	2I-Z9865	32	O-RING SILICONE TUBE SEAL	ALL
37	2I-Z2175	32	O-RING SEAL .06x1.13	ALL
38	2P-Z2174	32	TUBE GUIDE	ALL
39	2R-Z5846	4	FOOT-ROLLER GRILLS	ALL
40	2K-Z2895	2	BUSHING HEYCO OCB-500	ALL
41	A5-Z6619	1	RETAINER, ELEMENT - UPPER	ALL
42	A5-Z13631	1	ELEMENT RETAINER, LOWER	45SCFT-120V
	A5-RG4582		ELEMNT RTNR/THERM MT 16RLR	45SCFET-120V
58	2P-Z0584	1	TONGS-PLASTIC 9"	ALL
NOT SHOWN	2E-Z8320	1	WIRE SET C SERIES RG	45SCFT-120V