



**Star  
Manufacturing  
International Inc.**

10 Sunnen Dr.  
St. Louis, MO 63143

Phone: (314) 678-6303  
FAX: (314) 781-2714

## Accessory Instructions

2M-Z11569 Rev.B 10/26/2011

# Roller Grill Divider Kit

Protected by U.S. Pat 7,334,517

45RGDKC Only  
06/27/2012 BBE

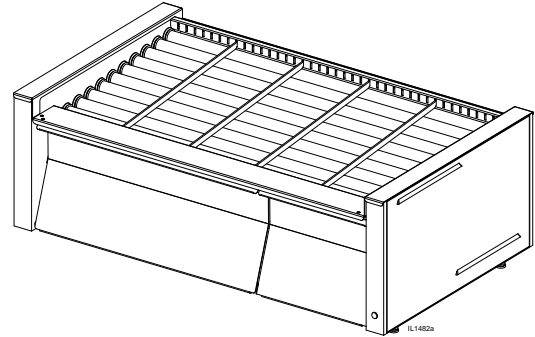
## Divider Installation (C Series)

These instructions are to add merchandiser dividers to your Star Roller Grill. The grill does not need disassembling, but does need to have the power turned off and allowed to cool. Once completed, the Dividers will keep your product separated, and the dividers will not touch the rollers.

**Tools Required:** Small Wrench for tightening acorn nuts.

### Contents:

- Side Brackets; Left & Right
- Divider Brackets; Front & Back
- Dividers
- Acorn Nuts



### CAUTION

**UNPLUG UNIT BEFORE PROCEEDING.**

