

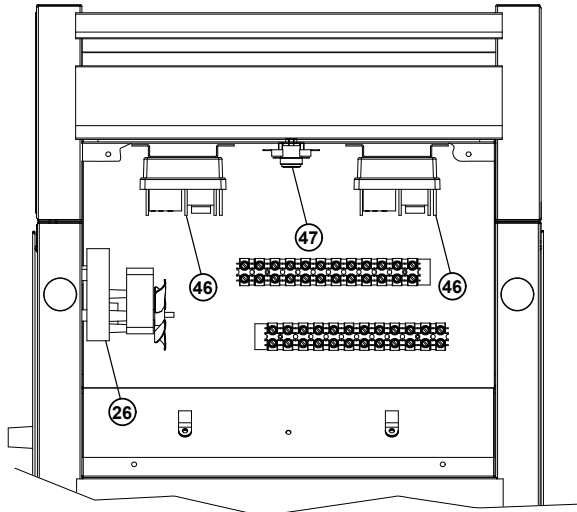
MODEL: PROVEYOR
 314HX, 318HX, 418HX



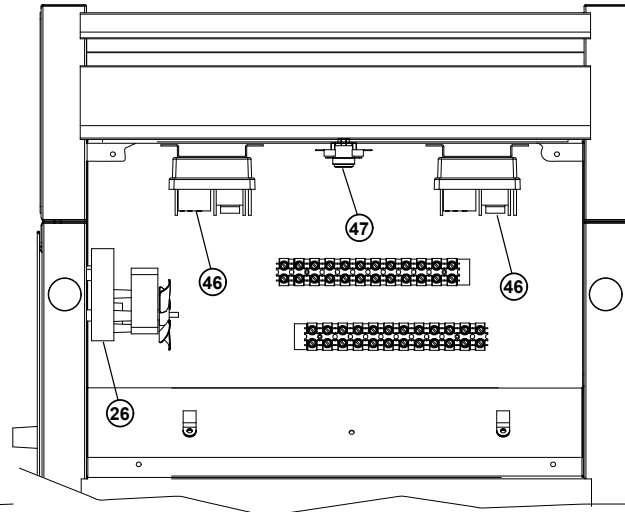
418HX Series Holman Conveyor Oven

Fig No.	Part Number	Quantity Per	Description	
1	GJ-401235	2	TRAY, CRUMB	
2	2A-200672	4	COLLAR, SHAFT	
3	GJ-100710	1	RACK, BELT SUPPORT SYSTEM	
4	GF-100405	1	TRAY, LOAD-UP	
5	2B-200619	1	LINK, CONVEYOR BELT	
	GF-160009	1	CONVEYOR BELT (14" X 75")	
6	2B-200621	4	LINK, MASTER, CONVEYOR BELT	
7	GJ-401161	1	COVER, TOP	
8	2A-200284	3	E-CLIP	
9	2C-200149	3	WASHER, BEARING	
10	GB-112262	4	BUSHING 3/8"	
11	GF-101251	1	SHAFT ASSY IDLER	
12	2E-200574	1	SWITCH, FAN MOTOR	
13	HG-402144	1	BRACKET, FAN SWITCH	
14	GJ-401236	1	RETAINER, HEATER TUBE RIGHT	
15	2J-200568	2	PROBE, HEAT (Stratford Control Model)	
	2J-200568	3	PROBE, HEAT (Stratford Control Model)	3 PHASE
16	GD-401206	4	COVER, EXTENSION SIDE	
17	GJ-400786	1	PANEL , CORD SIDE (L-R MODEL)	
	GD-401377	1	PANEL, CORD SIDE (R-L MODEL)	
18	2K-200458	1	BUSHING, POWER SUPPLY CORD	
20	GF-101250	1	SHAFT ASSY DRIVE	
21	GF-401289	2	SHUTTER, HEAT	
22	GF-101404	1	TRAY, UNLOAD	
23	2P-150023	1	DRIVE CHAIN (27")	
24	2P-200654	1	SPROCKET, DRIVEN (25B24 X 3/8")	
25	2P-200643	1	SPROCKET, DRIVE (25B11 X 5/16")	
26	2U-Z11871	1	MOTOR, DRIVE (L-R), CCW	
	2U-200508	1	MOTOR, DRIVE 3286 BB REV, 50 hrz	
27	2R-200721	1	BLADE, FAN, DRIVE MOTOR	
28	2R-200716	4	LEG, 2 1/2" METAL	
29	GJ-197881	12	HEATERTUBE QUARTZ	208V
	GJ-197894	12	HEATERTUBE QUARTZ	220V
	GJ-197882	12	HEATERTUBE QUARTZ	240V
31	GD-401232	6	RETAINER, DUAL HEATER TUBES	
32	2E-200564	1	SWITCH, ON/OFF TOGGLE	
33	2P-401780	1	TOGGLE GUARD	

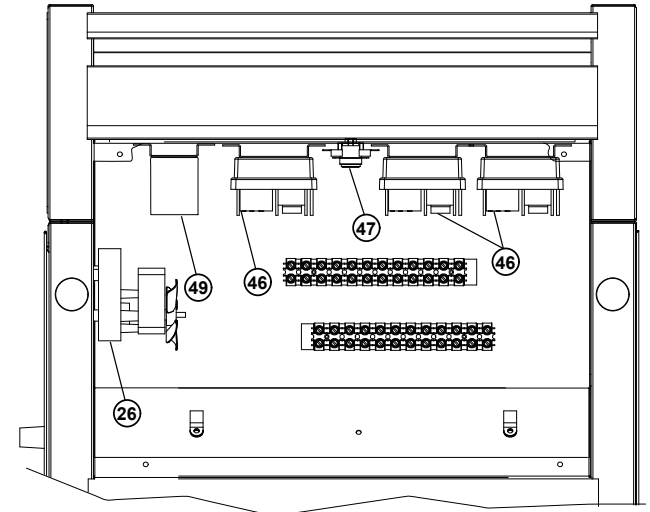
Fig No.	Part Number	Quantity Per	Description	
34	2E-200180	6	SWITCH BARRIER, POT.	
35	2J-200567	1	SWITCH, FRONT HEAT CONTROL POT.	3 PHASE
	2J-200567	1	SWITCH, TOP HEAT CONTROL POT.	
36	2J-200567	1	SWITCH, BOTTOM HEAT CONTROL POT. (Stratford Control)	
37	GB-118062	1	SWITCH, SPEED CONTROL (1000Ω)	
38	2J-200427	1	PILOT LIGHT	
39	2R-200708	3	CAP, KNOB CONTROL	
	2R-200708	4	CAP, KNOB CONTROL 3 PHASE	
	2R-200768	3	KNOB, HEAT CONTROL, SPEED CONTROL	
	2R-200768	4	KNOB, HEAT CONTROL, SPEED CONTROL	3 PHASE
40	2M-200873	1	LABEL, CONTROL PANEL	
	2M-200866	1	LABEL, CONTROL PANEL	(3 PHASE)
41	GJ-401381	1	PANEL, CONTROL SIDE	
	GJ-401456	1	PANEL, CONTROL SIDE	(3 PHASE)
42	2U-200561	1	MOTOR, FAN	
43	GF-402818	1	COVER, CONTROL BOX	
44	2R-200562	1	GRILL, FAN MOTOR	
45	2C-Z5883	4	SCREW, 10-24 X 1/2 FZA, SELF DRILLING	
46	2J-200569	2	CONTROL, HEAT (Stratford Control)	
	2J-200569	3	CONTROL, HEAT (Stratford Control)	3 PHASE
47	2E-200566	1	SWITCH, HIGH LIMIT RESET	
48	SP-115339	2	CONTROL, HEAT (Phase Control)	
49	2E-200529	1	CONTACTOR 3PH	3 Phase
	2E-Z8966	1	CONTACTOR 50 AMP 208/240V 1PH	1 Phase
NI	GD-115392	1	TERMINAL BLOCK, 3 POS, LARGE (Power Input)	
NI	GD-115396	1	TERMINAL BLOCK, 7 POS. LARGE	
NI	HM-115399	2	TERMINAL BLOCK, 10 POS. LARGE	
NI	2E-200554	5	TERMINAL BLOCK, 12 POS. LARGE	
NI	2P-115521	9	JUMPER, 2 POS. LARGE	
NI	2P-115522	3	JUMPER, 3 POS. LARGE	
NI	GD-115523	1	JUMPER, 4 POS. LARGE	
NI	GJ-115525	1	JUMPER, 6 POS. LARGE	
NI	1P-Z12397	1	EXTREME PRESSURE MULTIPURPOSE SYNTHETIC GREASE (80°F TO 400°F) , TUBE 1 oz.	



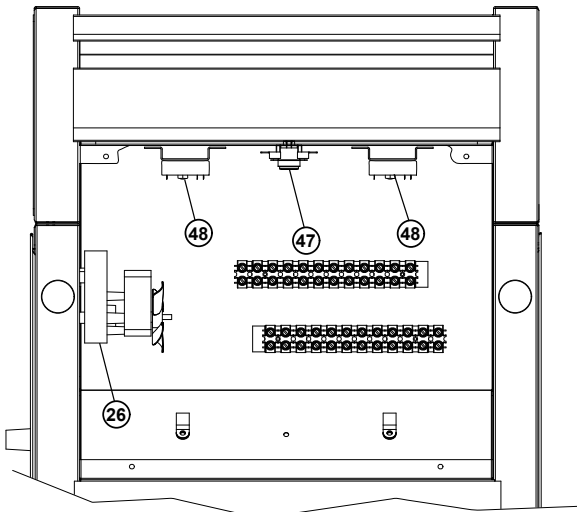
314 Stratford Control
Left to Right Conveyor



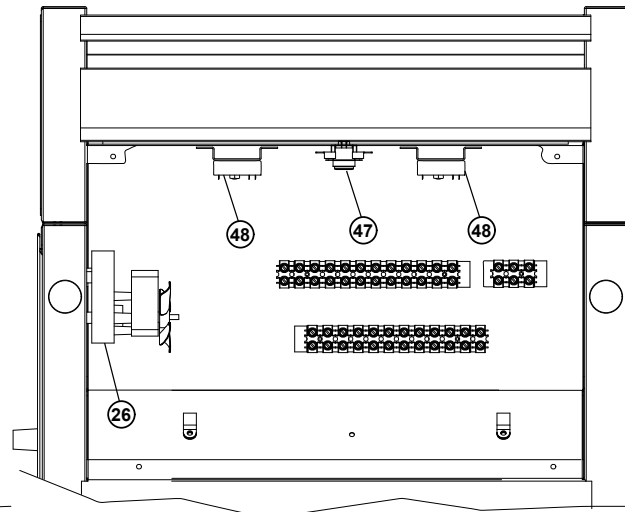
318 Stratford Control
Left to Right Conveyor



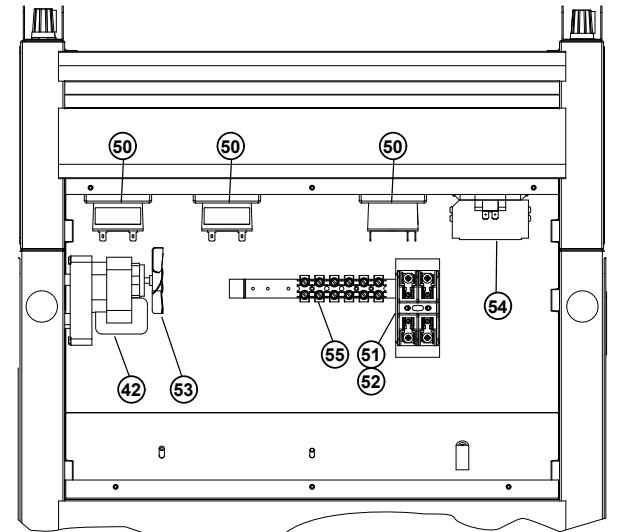
318 Stratford Control 3 Phase
Left to Right Conveyor



314 Phase Control
Left to Right Conveyor



318 Phase Control
Left to Right Conveyor



318HXGB
Pita Toaster