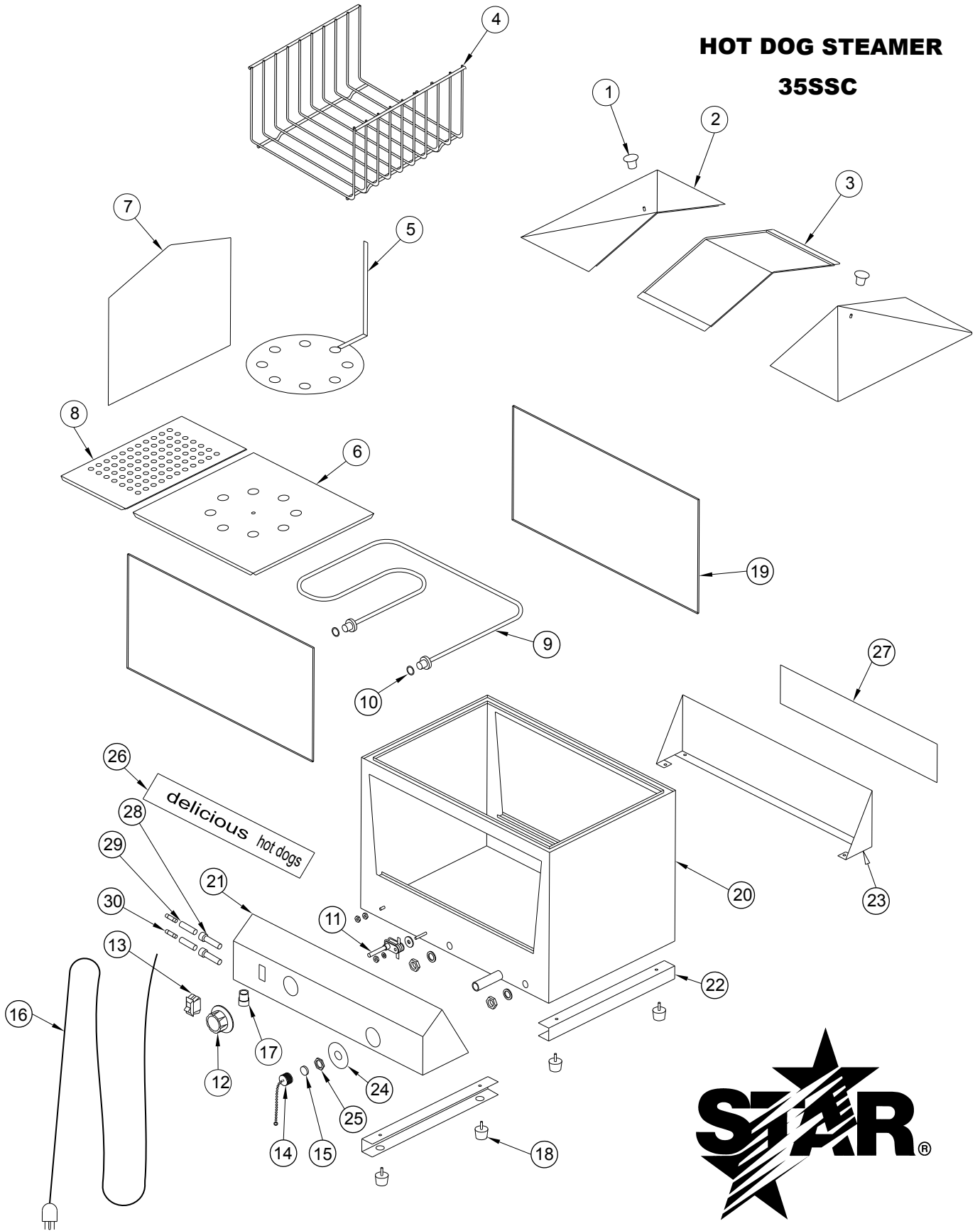


HOT DOG STEAMER 35SSC



PARTS LIST

January 26, 2012, Rev B

MODEL 35SS Jr. Hot Dog Steamer & Bunwarmer
 (#35179415 & UP)

Fig No.	Part No	Qty	Description	Application
1	2R-Z0872	2	KNOB	
2	A3-35319	2	END LID ASSEMBLY (INCLUDES KNOB)	
3	A3-Y6558	1	COVER - CENTER	
4	A3-Z6694	1	BUN BASKET 35SSC	
5	A3-35312	1	HUMIDITY CONTROL ASSEMBLY	
6	A3-Y6388	1	TRAY - BUN	
7	A3-Y6384	1	PARTITION	
8	A3-Y6383	1	TRAY - HOT DOG	
9	2N-Y6366	1	ELEMENT 1000W 120V	<i>Older units utilize A2-178023, drawing follows</i>
	2N-Z2796		ELEMENT 1000W 240V	
10	2I-Y6404	2	O'RING (ELEMENT)	
11	2T-Y6369	1	THERMOSTAT	
12	2R-Y6353	1	KNOB - THERMOSTAT	
13	2E-Y6144	1	SWITCH	
14	A3-35219	1	CAP AND CHAIN ASSY (GASKET INCLUDED)	
15	2I-Z13053	1	GASKET - CAP AND CHAIN	
16	A3-35321	1	CORD ASSY 230V CE	
	A3-35314		CORD ASSY 120V	
	A3-35313		CORD ASSY 240V	
17	2K-7889	1	BUSHING - CORD	
18	2A-Y3405	4	FOOT (2P-Y3404 = Plug, 2C-8317 = Screw)	
19	2Q-Y6393	2	GLASS - PLATE (8 1/4" x 17 3/4" x 1/8" DBL STRENGTH)	
	REPLACEMENT GLASS MUST BE PURCHASED LOCALLY			
20	PS-35311	1	BODY ASSEMBLY	
21	A3-35316	1	CONTROL PANEL ASSEMBLY ON 120V & 240V MODEL	
	A3-35322		CONTROL PANEL ASSEMBLY ON 230V CE MODEL	
22	A3-Y6391	2	RAIL - BASE	
23	A3-Y6395	1	RAIL - BASE	
24	2M-Y6402	1	COVER PLATE	
25	2C-Y6403	1	JAM NUT	
26	2M-Y6512	1	SIGN - HOT DOGS FRONT (2")	
27	2M-Y6513	1	SIGN - HOT DOGS REAR (CUSTOMER) (3")	
28	2E-Z2145	2	FUSEHOLDER	230V CE Models (Not Shown)
29	2E-Z2146	2	FUSEHOLDER	
30	2E-Z2148	2	FUSE 5A 250V	
NI	PS-35225		HOT DOG JUICE TRAY W/RACK (OPTIONAL)	
	PS-35217		HOT DOG JUICE TRAY ONLY (OPTIONAL)	
	PS-35218		HOT DOG JUICE RACK ONLY (OPTIONAL)	

**IMPORTANT: WHEN ORDERING, SPECIFY VOLTAGE OR TYPE GAS DESIRED
 INCLUDE MODEL AND SERIAL NUMBER**

PAGE 1
 OF 1

Some items are included for illustrative purposes only and in certain instances may not be available.



Star Manufacturing International, Inc.