

STAR MANUFACTURING INTERNATIONAL, INC.
9325 OLIVE BLVD., P.O. Box 8492
ST. LOUIS, MO 63132

STARMASTER SERIES ELECTRIC APPLIANCE
MODEL 341 ELECTRIC HOTPLATE
GENERAL INSTALLATION DATA

THE STARMASTER SERIES ELECTRIC HOTPLATE IS SUITABLE FOR USE WITH ALTERNATING CURRENT (AC) ONLY.

DO NOT CONNECT TO DIRECT CURRENT (DC)

INSTALLATION

THE INSTALLATION OF THIS APPLIANCE SHOULD CONFORM TO THE:

NATIONAL ELECTRIC CODE AND ALL
ELECTRIC CODES AND ORDINANCES AND THE LOCAL
ELECTRIC COMPANY RULES AND REGULATIONS.

FOR YOUR PROTECTION, WE RECOMMEND THAT A QUALIFIED ELECTRICIAN INSTALL THIS APPLIANCE. HE SHOULD BE FAMILIAR WITH ELECTRICAL INSTALLATIONS AND ALL ELECTRICAL CODES.

POWER SUPPLY

THIS UNIT IS WIRED FOR OPERATION ON SINGLE PHASE POWER SUPPLY ONLY. THE SUPPLY CIRCUIT SHOULD BE PROPERLY FUSED AND EQUIPPED WITH A MEANS OF DISCONNECTION, AS REQUIRED BY LOCAL ELECTRICAL CODE. THE BODY OF THE APPLIANCE SHOULD BE GROUNDED. DO NOT GROUND TO A GAS SUPPLY LINE. PROPER CONNECTIONS AND POWER SUPPLY ARE ESSENTIAL FOR EFFICIENT PERFORMANCE. THE EXTERNAL WIRING SHOULD BE IN A FLEXIBLE CONDUIT OR AN APPROVED FLEXIBLE CABLE SUITABLE FOR OPERATION AT 90 C AND THE PROPER SIZE TO CARRY THE LOAD.

CONNECTION

A BOX IS LOCATED AT THE REAR OF THE UNIT. REMOVE THE BACK PANEL FOR ACCESS TO THIS BOX. A 7/8" DIAMETER HOLE IS LOCATED IN THE BOTTOM OF THE UNIT FOR ATTACHING THE CONDUIT OR CABLE WITH THE PROPER CLAMP.

ALL WIRES MUST BE SO SPLICED OR JOINED AS TO BE ELECTRICALLY OR MECHANICALLY SECURE AND BE COVERED WITH AN INSULATION EQUAL TO THAT OF THE WIRE. LOOSE CONNECTIONS, OR ONES IMPROPERLY MADE, CAN RESULT IN ARCING WHICH IN TURN CAN EASILY CAUSE A FIRE.

LEVELING UNIT

LEVEL UNIT BY ADJUSTING THE (4) FEET WHICH HAVE AN ADJUSTMENT OF 1" FOR ACCURATE LEVELING AND PERFECT LINE-UP WITH OTHER STARMASTER SERIES UNITS. CAUTION: DO NOT INSTALL WITHOUT FEET. FOUR FOOT EXTENSIONS WITH STUDS ARE PROVIDED AND SHOULD BE INSTALLED FOR EASE OF CLEANING.

OPERATING PROCEDURE

CAUTION: USE ONLY FLAT BOTTOM POTS AND PANS! DO NOT USE RAISED BOTTOM UTENSILS OR BUCKETS! USE OF OTHER THAN FLAT BOTTOM PANS WILL OVERHEAT THE ELEMENTS AND BURN THEM OUT, VOIDING THE WARRANTY ON THE ELEMENTS.

TWO (2) "MICRO-TUBE" HEATING ELEMENTS ARE USED. EACH ELEMENT DRAWS 1500 WATTS, AND IS CONTROLLED BY A THREE-HEAT SWITCH. THE RIGHT CONTROL KNOB CONTROLS THE REAR COOKING ELEMENT AND THE LEFT CONTROL KNOB CONTROLS THE FRONT COOKING ELEMENT.

EACH HOTPLATE IS CONTROLLED BY MEANS OF A THREE-HEAT ROTARY SWITCH WITH POSITIONS AT OFF, HIGH, MEDIUM AND LOW. ON "HIGH", EACH HOTPLATE WILL CONSUME THE FULL 1500 WATTS; ON "MEDIUM" 750 WATTS; ON "LOW" 375 WATTS WHEN USED ON 236V LINE.

A SIGNAL LIGHT IS PROVIDED BELOW EACH CONTROL KNOB TO GIVE A VISUAL CHECK IF EITHER ONE OR BOTH HEATING UNITS ARE TURNED ON.

CLEANING

THE EXTERIOR SURFACES CAN BE KEPT CLEAN AND ATTRACTIVE BY REGULARLY WIPING WITH A CLEAN, SOFT CLOTH. ANY DISCOLORATION CAN BE REMOVED WITH A NON-ABRASIVE CLEANER. THE HEATING ELEMENTS CAN BE RAISED AND THE REFLECTOR RINGS CAN BE REMOVED FOR CLEANING AND SERVICING. A STAINLESS STEEL DRIP PAN WITH A KNOB PULL IS LOCATED CONTINUOUSLY UNDER THE ELEMENTS AND CAN BE READILY REMOVED FROM THE FRONT OF THE UNIT FOR CLEANING.

TROUBLE SHOOTING CHART

<u>TROUBLE</u>	<u>CAUSE</u>	<u>REMEDY</u>
1. HOTPLATES DO NOT HEAT.	A. FUSE BLOWN	REPLACE FUSE
	B. POWER LINE DISCONNECTED	RESET DISCONNECT SWITCH
	C. PLUG DISCONNECTED	CONNECT
	D. HEATING ELEMENT BURNED OUT	CALL SERVICE STATION
	E. BAD CONTROL	CALL SERVICE STATION

MODEL 341

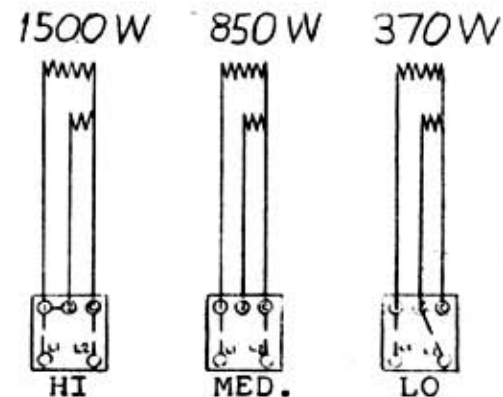
WIRING DIAGRAM

REVISIONS

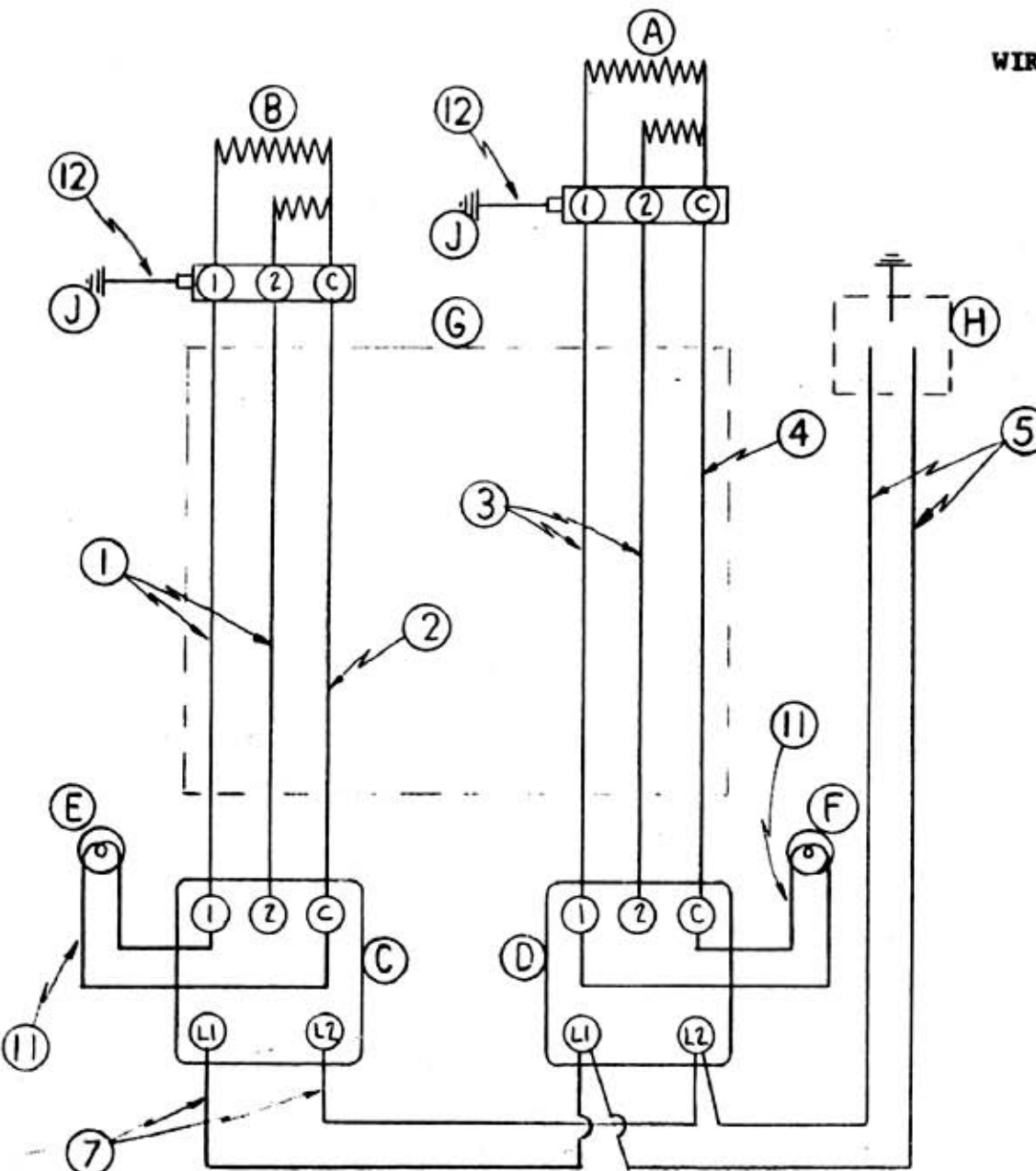
A
B
C
D

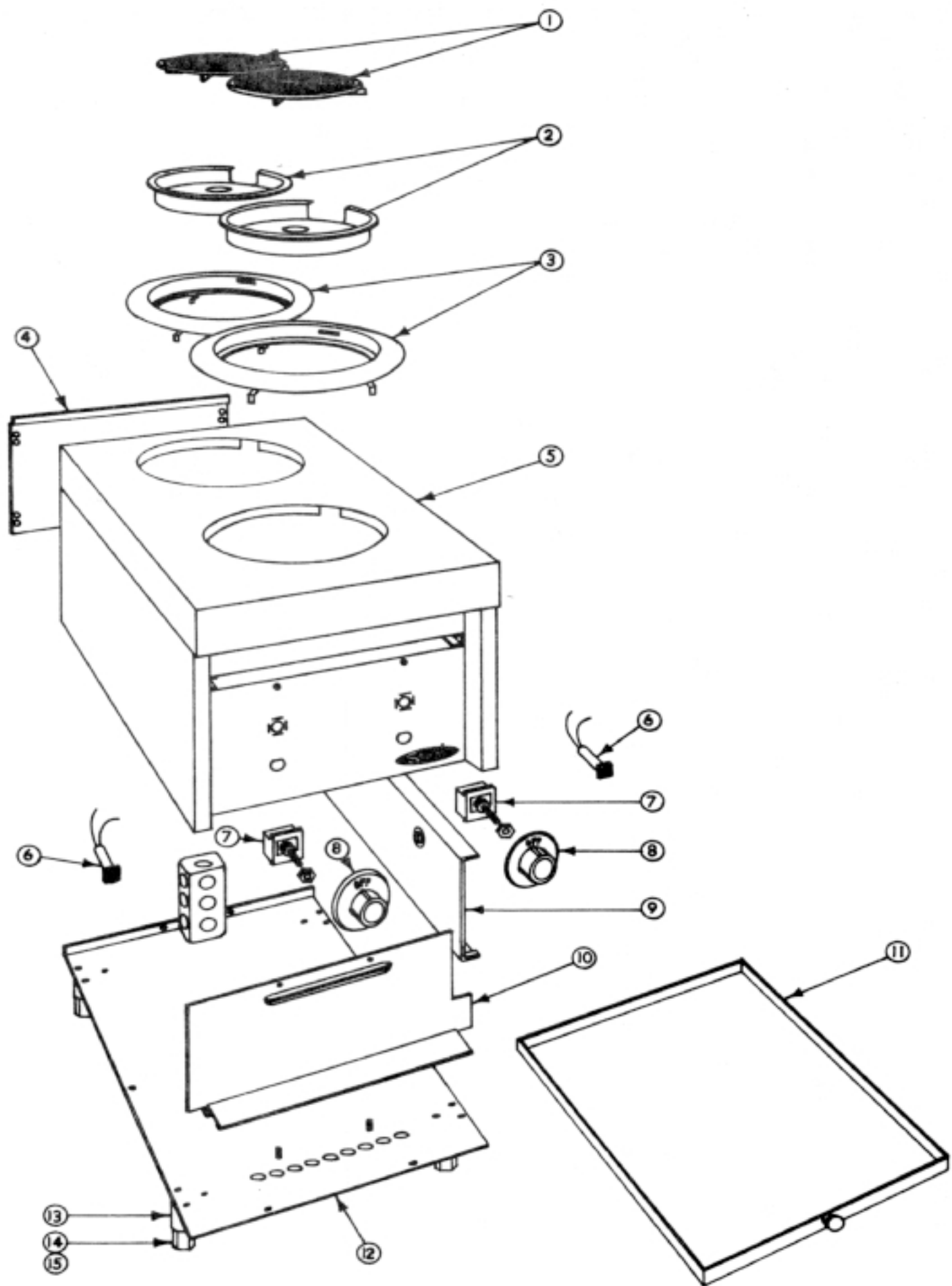
WIRE SIZES: ⑤ #12 GA.
ALL OTHER INTERNAL WIRING
IS #14 GA.

- ① 1.5 KW HEATING ELEMENT (REAR)
- ② 1.5 KW HEATING ELEMENT (FRONT)
- ③ THREE HEAT SWITCH (FRONT)
- ④ THREE HEAT SWITCH (REAR)
- ⑤ SIGNAL LIGHT (FRONT)
- ⑥ SIGNAL LIGHT (REAR)
- ⑦ WIRE RACEWAY
- ⑧ CONDUIT BOX (POWER SUPPLY)
- ⑨ GROUND (ELEMENT TO FRAME)



SWITCHING





MODEL 341

8I

MODEL **341 Hotplate**

Key Number	Part Number	Number Per Unit	Description
1	2N-6462	2	Element - Heating (208/240V)
2	2D-6471	2	Pan - Reflector
3	2P-9307	2	Ring - Adaptor
4	I2-9299	1	Back
6	I2-341010	2	Pilot Light
7	2E-Y6212	2	Switch
8	2R-9305	2	Knob - Control
9	I2-9297	1	Raceway - Wire
10	I2-341003	1	Switch Cover Assembly
11	I2-9304	1	Tray
12	2R-Z0872	1	Knob
13	Z1-115006	4	Leg Assembly (less foot)
14	2A-9347	4	Extension - Foot
	2A-9348	4	Stud (not shown)
15	2A-7612	4	Foot

**IMPORTANT: WHEN ORDERING, SPECIFY VOLTAGE OR TYPE GAS DESIRED
INCLUDE MODEL AND SERIAL NUMBER**

PAGE 1
OF 1

Some items are included for illustrative purposes only and in certain instances may not be available.



Star Manufacturing International, Inc.