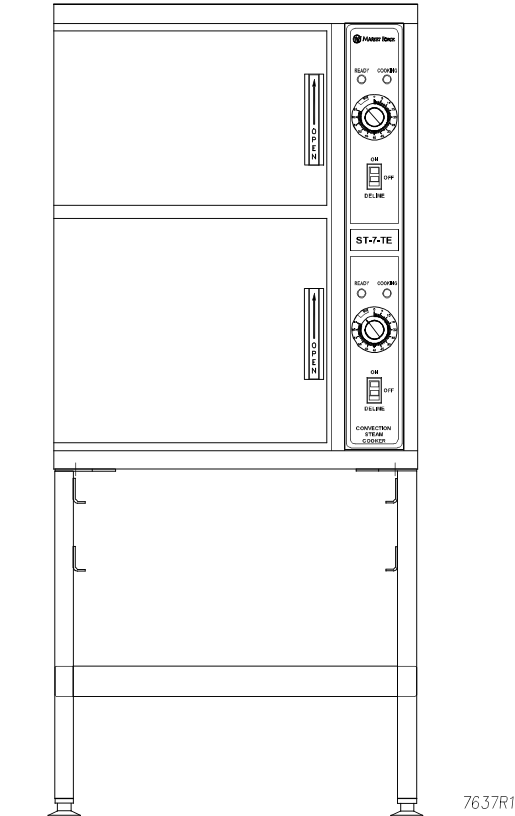


**INSTALLATION AND OPERATION  
MANUAL AND PARTS  
ELECTRIC CONVECTION STEAMER  
MODELS: ST-7-TE  
ST-10-TE**



**MARKET FORGE**  
INDUSTRIES INC.

*An Employee-Owned Company*

35 Garvey Street • Everett, MA 02149-4422 USA  
Tel: (617) 387-4100 • Fax: (617) 387-4456  
Fax Outside MA: 1-800-227-2659  
E-Mail: CUSTSERV@MFII.COM

MADE IN CANADA

S-6129

01/06

INSTALLATION AND OPERATION MANUAL AND PARTS,  
ELECTRIC CONVECTION STEAMERS, MODELS: ST-7-TE, ST-10-TE

**IMPORTANT NOTES FOR INSTALLATION AND OPERATION**



**This is the safety alert symbol. It is used to alert you to potential personal injury hazards. Obey all safety messages that follow this symbol to avoid possible injury or death.**



**WARNING: Improper installation, operation, adjustment, alteration, service or maintenance can cause property damage, injury or death. Read the installation, operating and maintenance instructions thoroughly before installing, operating or servicing this equipment.**

**This manual should be retained for future reference.**

**Intended for commercial use only. Not for household use.**

**Adequate clearances must be maintained for safe and proper operation.**

INSTALLATION AND OPERATION MANUAL AND PARTS,  
ELECTRIC CONVECTION STEAMERS, MODELS: ST-7-TE, ST-10-TE

**TABLE OF CONTENTS**

<b>DESCRIPTION</b>	<b>PAGE</b>
Important Notes for Installation and Operation .....	2
1.0 Service Connections .....	4
2.0 Installation Instructions .....	5
3.0 Operation .....	10
4.0 Suggested Cooking Guidelines .....	13
5.0 Cleaning .....	17
6.0 Maintenance .....	19
7.0 Troubleshooting .....	20
8.0 Service .....	21
9.0 Parts .....	23

# INSTALLATION AND OPERATION MANUAL AND PARTS, ELECTRIC CONVECTION STEAMERS, MODELS: ST-7-TE, ST-10-TE

## 1.0 SERVICE CONNECTIONS

- ⚡ – ELECTRICAL CONNECTION:  $\phi$ 1 1/8" hole for electrical connection.  
Rating to be as specified on data plate.
- Ⓓ – DRAIN: 1"IPS to open floor drain. No solid connection.  
24" length before open air gap opening (No bends or elbows).
- Ⓒ – GENERATOR WATER: 3/8" O.D. tubing at 25–50 PSI(170–345 kPa)
- Ⓒ – CONDENSING WATER: 3/8" O.D. tubing at 25–50 PSI(170–345 kPa)

### WATER QUALITY STATEMENT

WATER QUALITY IS THE MAJOR FACTOR AFFECTING THE PERFORMANCE OF YOUR APPLIANCE. IF YOU ARE UNSURE OF WATER QUALITY, CONSULT A LOCAL WATER TREATMENT SPECIALIST AND HAVE THE WATER ANALYZED. YOUR WATER SUPPLY MUST BE WITHIN THESE GENERAL GUIDE LINES:

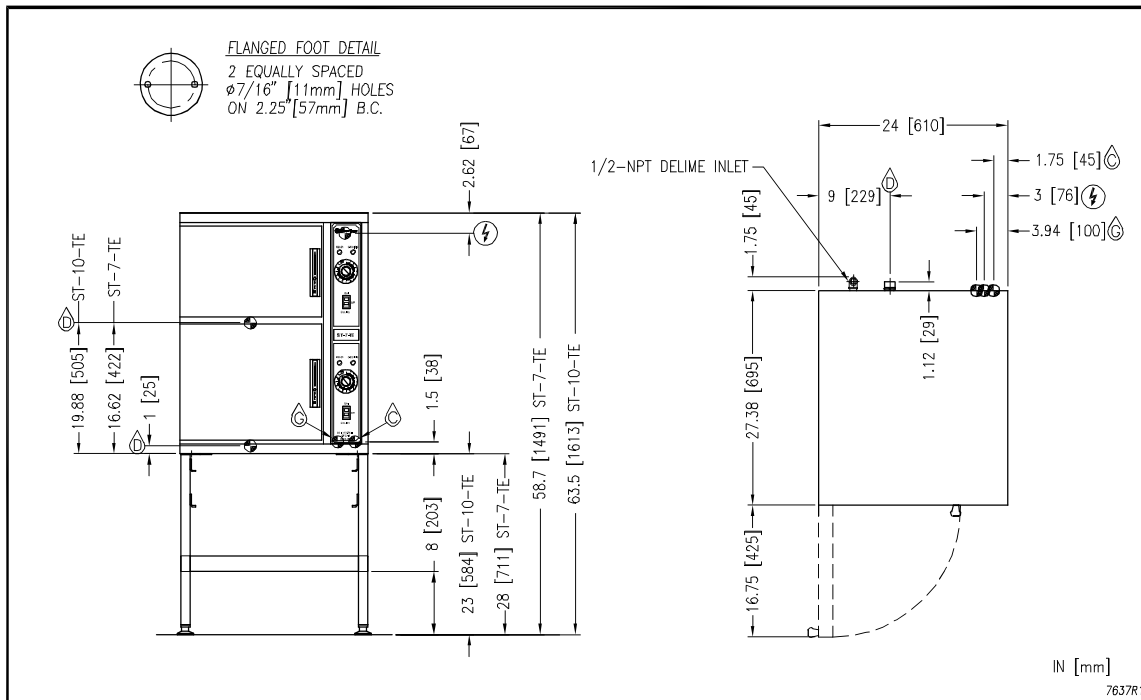
TOTAL DISSOLVED SOLIDS	LESS THAN 60 PPM
TOTAL ALKALINITY	LESS THAN 20 PPM
SILICA	LESS THAN 13 PPM
CHLORIDE	LESS THAN 1.5 PPM
pH FACTOR	7.0–8.5

WATER WHICH FAILS TO MEET THESE STANDARDS SHOULD BE TREATED BY INSTALLATION OF A WATER CONDITIONER.

**FAILURE OR MALFUNCTION OF THIS APPLIANCE DUE TO POOR WATER QUALITY IS NOT COVERED UNDER WARRANTY.**

### ELECTRICAL CHARACTERISTICS

MODEL	KW	PHASE	AMPS PER LINE						
			208V	220V	240V	380V	416V	480V	600V
ST-7-TE	17.5	3	48.6	45.9	42.1	26.6	24.3	21.0	16.8
ST-10-TE	30	3	83.3	78.7	72.2	45.6	41.6	36.1	28.9



*As continued product improvement is a policy of Market Forge, specifications are subject to change without notice.*

INSTALLATION AND OPERATION MANUAL AND PARTS,  
ELECTRIC CONVECTION STEAMERS, MODELS: ST-7-TE, ST-10-TE

## **2.0 INSTALLATION INSTRUCTIONS**

This steamer was inspected before leaving the factory. The transportation company assumes full responsibility for safe delivery upon acceptance of the shipment. Immediately after unpacking the steamer, check for possible damage. If the steamer is found to be damaged after unpacking, save the packaging material and contact the carrier within 15 days of delivery.

Prior to installation, verify that the electrical service agrees with the specifications on the machine data plate which is located on the left side panel.

### **LOCATION**

Allow space for plumbing and electrical connections. Minimum clearances are 3" (76 mm) on the sides and 6" (152 mm) on the back for proper air circulation. Allow adequate access for operating and servicing the steamer, 36" (915 mm) at the front of the steamer and 15" (381 mm) above the steamer.

### **LEVELLING AND ANCHORING**

Using a spirit level or pan of water in the bottom of the steamer, adjust the levelling feet to level the steamer front-to-back and side-to-side.

Mark hole locations on the floor through the anchoring holes provided in the flanged adjustable feet. Remove the steamer and drill holes at marked locations on the floor. Insert proper anchoring devices.

Set steamer back in proper position.

Install bolts through anchoring holes and into anchors to secure the steamer to the floor. Seal bolts and flanged feet with Silastic.

After the drain is connected, check for level by pouring water onto the floor of the compartment. All water should drain through the opening at the back of the compartment cavity.

### **ELECTRICAL CONNECTION**



**WARNING: Electrical and grounding connections must comply with applicable portions of the national electrical code and/or other local electrical codes.**

INSTALLATION AND OPERATION MANUAL AND PARTS,  
ELECTRIC CONVECTION STEAMERS, MODELS: ST-7-TE, ST-10-TE

**INSTALLATION INSTRUCTIONS** (Continued)



**WARNING: Disconnect the power supply to the appliance before cleaning or servicing.**

Make electrical connection through the 1-1/8" (29 mm) diameter hole provided using 3/4" (19 mm) trade size conduit. Refer to the wiring diagram located inside the right side panel. Use 90°C minimum insulated wire.

**PLUMBING CONNECTIONS**



**WARNING: Plumbing connections must comply with applicable sanitary, safety, and plumbing codes.**

The water supply inlets are provided with 3/8" (10 mm) compression fittings for 3/8" O.D. copper tubing. The water supply line pressure should be 25 - 50 psi (170 - 345 kPa) for each line. The water supply to the generator tank is separate from the water supply to the cooling system where steam is condensed before entering the drain line.

Install line strainers (not provided). A manual shutoff valve for each supply line must be provided convenient to the steamer.

We recommend treated water feeding the boiler inlet supply, and untreated water feeding the cooling system inlet. Hook-ups are labelled on the back of the steamer.

**ADJUSTMENT FOR HIGH ALTITUDE LOCATIONS**

The steamer has been factory set so that when it is ON, and during the READY phase, it will maintain water temperature in the steam generator tank at approximately 205°F (96°C) (just below water boiling point). However, for high altitude locations, an authorized service agency must adjust the steamer to achieve this temperature.

**ADJUSTMENT FOR DRAIN WATER TEMPERATURE**

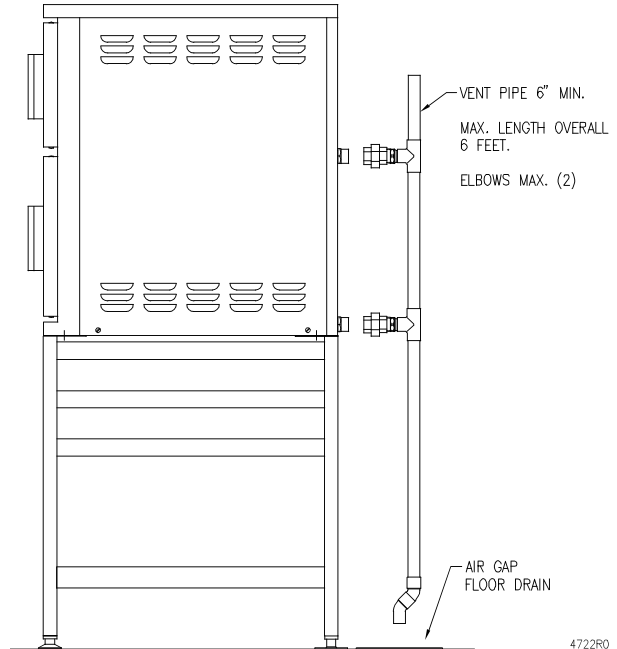
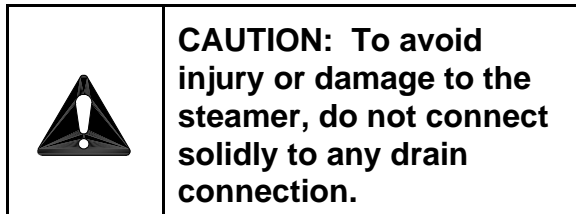
Cooling solenoid valves have been adjusted to yield drain temperatures of 140°F. This will vary depending on install location water supply temperature and pressure. A qualified service person should adjust the cooling solenoid valves should the drain temperature be other than desired. Refer to section 8.0 Service on page 21 for adjustment instructions.

INSTALLATION AND OPERATION MANUAL AND PARTS,  
ELECTRIC CONVECTION STEAMERS, MODELS: ST-7-TE, ST-10-TE

**FIGURE 1**

**DRAIN CONNECTIONS**

The drain connection must be 1" (25 mm) IPS down, preferably with one or two elbows only, maximum length 6 feet (1830 mm) and piped to an open gap type drain (Figure 1). Drain pipe to be copper only. DO NOT use PVC pipe – PVC pipe may lose its rigidity or glue may fail.



**WATER QUALITY**

The water supply connected to the steam generator should meet the following guidelines:

Failure to comply with water quality statement on page 4 may void the warranty.

Water supplies vary from one location to another. Other factors affecting steam generation are iron content, chlorides, and dissolved gasses. A local water treatment specialist should be consulted before installing any steam generating equipment.

Untreated water contains scale producing minerals which can precipitate onto the surfaces in the boiler. Due to the temperatures in the boiler, the minerals can bake onto the surfaces and components. This can result in early component failure and reduced product life.

Mineral scale on components causes several problems:

1. The surfaces of the heating devices become coated with scale, reducing the heat transfer efficiency. This can produce hot spots on the heating elements and result in premature failure.

INSTALLATION AND OPERATION MANUAL AND PARTS,  
ELECTRIC CONVECTION STEAMERS, MODELS: ST-7-TE, ST-10-TE

**WATER QUALITY** (Continued)

2. The water level probes become coated with scale. Scale will bridge across the probe insulator from the metal extension which senses the water level in the boiler shell. Once this scale becomes wet, the water level control is unable to maintain the proper water level in the boiler. This situation may cause an electric heating element to fail if the element is not adequately covered by water.

Strainers and filters will not remove minerals from the water.

Refer to REMOVAL OF LIME SCALE DEPOSITS, page 19.

**VENT HOOD**

Some local codes may require the steamer to be located under an exhaust hood. Information on the construction and installation of ventilating hoods may be obtained from NFPA Standard No. 96, *Vapor Removal from Cooking Equipment*, (latest edition).

INSTALLATION AND OPERATION MANUAL AND PARTS,  
ELECTRIC CONVECTION STEAMERS, MODELS: ST-7-TE, ST-10-TE

**START-UP TEST**



**WARNING: The steamer and its parts are hot. Use care when operating, cleaning or servicing the steamer. The cooking compartment contains live steam. Stay clear while opening the door.**

Once the steamer is installed and all mechanical connections have been made, thoroughly test the steamer before operation.

1. Check that proper water, drain, and electrical connections have been made.
2. Turn main power switch ON. After approximately 15 minutes, the READY light should come on, indicating that the water temperature is 205°F (96°C).
3. When the READY light comes on, set the timer at 5 minutes. With door open, observe that no steam is entering the compartment and the COOKING light is OFF.
4. Close compartment door. The COOKING light should now be lit and steam should be heard entering the compartment after about 45 seconds (5 minutes if boiler is empty).
5. Check drain line to ensure that water from the cold water condenser is flowing through the drain line.
6. Open compartment door and observe that steam supply to the chamber is cut off (READY light should again come on and COOKING light goes off).
7. Close compartment door and let cooking cycle finish. When the timer returns to the "O" position, a buzzer will sound, signalling the end of the cooking cycle. To silence the buzzer, turn the dial timer to OFF.
8. Complete the above steps for each cooking compartment.
9. To shut the steamer down, turn the main power switch OFF and leave the compartment doors slightly open to allow the inside to dry out.

INSTALLATION AND OPERATION MANUAL AND PARTS,  
ELECTRIC CONVECTION STEAMERS, MODELS: ST-7-TE, ST-10-TE

### 3.0 OPERATION

	<b>CAUTION: Live steam and accumulated hot water in the compartment may be released when the door is opened.</b>
---	--

	<b>CAUTION: An obstructed drain can cause personal injury or property damage.</b>
---	---

### CONTROLS

#### Main Power Switch

- ON - The boiler will automatically fill and begin heating to the preset temperature.
- OFF - The boiler will drain.
- DELIME - Closes the drain valve while CLR liquid is being poured into the generator during the delime procedure.

**Ready Light** - Indicates the temperature has reached 205°F and that the steamer is ready to begin cooking.

**Cooking Light** - Indicates that a cooking cycle is in progress.

**Timer** - Set the cooking time (0 to 60 minutes) or constant steam. Steam cooking will begin when the door is closed. The cooking cycle will be interrupted if the door is opened during the cooking cycle; resume cooking by closing the door.

When done, a buzzer sounds and steam supply to the cooking chamber will cease. Turn the timer OFF to stop the buzzer.

INSTALLATION AND OPERATION MANUAL AND PARTS,  
ELECTRIC CONVECTION STEAMERS, MODELS: ST-7-TE, ST-10-TE

**3.0 OPERATION** (Continued)

**BEFORE FIRST USE**

Clean the protective oils from all surfaces of the steamer. Use a non-corrosive, grease dissolving commercial cleaner, following manufacturer's directions. Rinse thoroughly and wipe dry with a soft clean cloth.

**PREHEAT**

Turn the main power switch ON. When the READY light comes on, set the timer to 1 minute to preheat the compartment. This should be done when the steamer is first used for the day or whenever the chamber is cold. The door should be closed during the preheat cycle. The COOKING light will be lit. When the buzzer sounds, set the timer to the OFF position. The steamer is now ready to cook.

**COOK**

With compartment preheated and READY light ON, place pans of food into the compartment and close the door.

Set timer to desired cooking time. (The cooking cycle may be interrupted at any time by opening the door. To resume operation, close the door.) Steam will flow into the compartment and the COOKING light will be lit.

At the end of the cooking cycle, the buzzer will sound, the COOKING light will go off and steam supply to the compartment will cease. Turn the timer to the OFF position to silence the buzzer.

**SHUTDOWN**

Turn main power switch OFF. The boiler will automatically blow down. Leave the compartment door open to allow the inside to dry out. For an extended shutdown, turn the main power switch OFF; turn power and water supply OFF.

INSTALLATION AND OPERATION MANUAL AND PARTS,  
ELECTRIC CONVECTION STEAMERS, MODELS: ST-7-TE, ST-10-TE

**3.0 OPERATION** (Continued)

**CONSTANT STEAM COOKING** - This mode will give continuous steam to the cooking chamber until the operator either turns the timer to the "OFF" position, or turns power OFF to the steamer.

When cooking is complete, or not in use, the constant steam cooking feature should be shut off. This prevents the boiler from running unnecessarily. This will help conserve water, and will reduce boiler maintenance.

**SHUT DOWN**

Turn the selector switch to TIMED COOKING. Turn main power switch to the "OFF" position.

**DRAINING THE BOILER**

Drain the boiler after each day's use to flush out minerals and minimize scale build-up. The boiler drains automatically for approximately 4 - 6 minutes after the main power switch is turned off.

## **4.0 SUGGESTED COOKING GUIDELINES**

### **COOKING HINTS**

Your steamer efficiently cooks vegetables or other foods for immediate serving. Steam cooking should be carefully time controlled. Keep hot food holding-time to a minimum to produce the most appetizing results. Prepare small batches, cook only enough to start serving, then cook additional amounts to meet demand.

#### **Preparation**

Prepare vegetables, fruits, meats, seafood, and poultry normally by cleaning, separating, cutting, removing stems, etc. Cook root vegetables in a perforated pan. Other vegetables may be cooked in a perforated pan unless juices are being saved. Liquids can be collected in a solid pan placed under a perforated pan.

Perforated pans are used for frankfurters, wieners, and similar items when juices do not need to be preserved. Solid pans are good for cooking puddings, rice and hot breakfast cereals. Vegetables and fruits are cooked in solid pans in their own juice. Meats and poultry are cooked in solid pans to preserve their juice or return broth.

Canned foods can be heated in their opened cans (cans placed in solid pans), or the contents may be poured into solid pans. DO NOT place unopened cans in the steamer.

#### **Frozen Food Items**

Separate frozen foods into smaller pieces to allow more efficient cooking.

Use a pan cover for precooked frozen dishes that cannot be cooked in the covered containers in which they are packed if they require more than 15 minutes of cooking time. When a cover is used, approximately one-third additional cooking time is necessary. Cooking time for frozen foods depends on the amount of defrosting required. If time permits, allow frozen foods to partially thaw overnight in a refrigerator. This will reduce their cooking time.

INSTALLATION AND OPERATION MANUAL AND PARTS,  
ELECTRIC CONVECTION STEAMERS, MODELS: ST-7-TE, ST-10-TE

**4.0 SUGGESTED COOKING GUIDELINES**

<u>PRODUCT</u>	<u>TIMER SETTING (Minutes)</u>	<u>WEIGHT PER PAN</u>
Eggs	10 - 12	8 dozen
Scrambled	15	4 dozen
Hard Cooked	25	2 lbs.
Rice, long grain (cover with 4 cups water/lb.)	25	2 lbs.
Pasta (Place perforated pan inside solid pan, cover with cold water)		
Spaghetti, regular/vermicelli	12 -15	
Macaroni, shells/elbows	15 - 18	
Lasagna noodles	15 - 18	
Frozen Casseroles, Lasagna	35	Full Pan
Meat Loaf, 3 - 5 lbs. each	40	15 lbs.
Beef		
Ground Chuck	20 - 25	10 lbs.
Beans		
Baked/Refried	9	10 lbs. can
Chicken - Breasts, Legs, Thighs	20	15 lbs.
Turkey, Frozen		
Breasts (2)	90	6 - 7 lbs. each
Hot Dogs	3	80 - 100
<b>SEAFOOD</b>		
Clams		
Frozen	10 - 12	3 dozen
Fresh, Cherrystone	5 - 6	3 dozen

INSTALLATION AND OPERATION MANUAL AND PARTS,  
ELECTRIC CONVECTION STEAMERS, MODELS: ST-7-TE, ST-10-TE

<u>PRODUCT</u>	<u>TIMER SETTING</u> <u>(Minutes)</u>	<u>WEIGHT PER PAN</u>
King Crab, frozen		
Claws	4	2 ½ lbs.
Legs	4 - 6	4 ½ lbs.
Shrimp, frozen, 10 per lb.	5	4 lbs.
Lobster Tail, frozen	6	10 lbs.
Lobster, Live, 10" - 12"	5	4 per pan
Scallops, fresh	4	3 lbs.
Scrod Fillets, fresh	3 - 5	4 lbs.
<b>VEGETABLES</b>		
Asparagus Spears		
Frozen	10 - 12	3 dozen
Fresh	5	5 lbs.
Beans		
Green, 2" cut, frozen/fresh	6	5 lbs.
Lima, frozen	8	5 lbs.
Broccoli		
Spears, frozen	8	4 lbs.
Spears, fresh	6	5 lbs.
Florets, frozen	6	5 lbs.
Carrots		
Baby whole, frozen	8	7 lbs.
Crinkle cut, frozen	7 - 8	4 lbs.
Sliced, fresh	11	9 lbs.
Cauliflower, Florets		

INSTALLATION AND OPERATION MANUAL AND PARTS,  
ELECTRIC CONVECTION STEAMERS, MODELS: ST-7-TE, ST-10-TE

<u>PRODUCT</u>	<u>TIMER SETTING</u> <u>(Minutes)</u>	<u>WEIGHT PER PAN</u>
Frozen	6	4 lbs.
Fresh	7 - 8	5 lbs.
Corn		
Yellow whole kernel, frozen	5	5 lbs.
Cobbettes, frozen	8	27 ears
Corn-on-Cob, fresh	10 - 12	18 ears
Peas, Green	6	5 lbs.
Potatoes, whole russet	55	40 lbs.
Zucchini, slices	8	10 lbs.
Canned Vegetables	6	10 lbs. can
Frozen Mixed Vegetables	6 - 7	5 lbs.

INSTALLATION AND OPERATION MANUAL AND PARTS,  
ELECTRIC CONVECTION STEAMERS, MODELS: ST-7-TE, ST-10-TE

## 5.0 CLEANING



**CAUTION: Do not use cleaning agents that are corrosive.**



**WARNING: Disconnect the power supply to the appliance before cleaning or servicing.**

### **At the end of each day, or between cooking cycles if necessary...**

Turn main power switch OFF.

Remove pans and racks from compartment and wash in sink.

Wash compartment interior with clean water. Never use steel wool or abrasive scouring pads as they will scratch and ruin the general surface appearance of the steamer.

Use warm soapy water with a cloth or sponge to clean the exposed bead of the door gasket. Rinse with warm clear water and wipe dry with a dry cloth.

Wipe surfaces which touch the door gasket with a cloth or sponge and warm soapy water. Rinse with warm clear water and wipe with a dry cloth. **CAUTION: Do not allow the door gasket to come in contact with food oils, petroleum solvents, or lubricants.** Wipe all solids away from the drain openings in the compartments to prevent clogging.

Remove drain screens from inside compartment drains. Using a plastic bottle brush and mild detergent, clean inside the drain opening ensuring there is no food residue or blockage. Clean the drain screen and replace in its original position.

Leave the door slightly open when the steamer is not in use to allow the inside to dry out.

### **Weekly, or more often if necessary...**

Clean exterior with a damp cloth and polish with a soft dry cloth. Use a non-abrasive cleaner to remove discolourations.

## 5.0 CLEANING

### **GUIDELINES FOR MAINTAINING STAINLESS STEEL SURFACES**

There are three things that can break down stainless steel and allow corrosion to develop:

- 1) Abrasion;
- 2) Deposits and water;
- 3) Chlorides.

Avoid rubbing with steel pads, wire brushes, or scrapers that can leave iron deposits on stainless steel; instead, use plastic scouring pads or soft cloths. For stubborn stains, use products such as Cameo, Talc, or Zud First Impression. Always rub parallel to polish lines or with the grain.

Hard water can leave deposits that promote rust on stainless steel. Treated water from softeners or certain filters can eliminate these mineral deposits. Other deposits from food or lubrication must be properly removed by cleaning. Use mild detergent and non-chloride cleaners. Rinse thoroughly. Wipe dry. If using chloride containing cleaners or sanitizers, ***rinse repeatedly*** to avoid stainless steel corrosion. Where appropriate, apply a polish recommended for stainless steel (such as Benefit or Super Sheen) for extra protection and lustre.

INSTALLATION AND OPERATION MANUAL AND PARTS,  
ELECTRIC CONVECTION STEAMERS, MODELS: ST-7-TE, ST-10-TE

## 6.0 MAINTENANCE

### REMOVAL OF SCALE DEPOSITS



**WARNING: Read and follow instructions on the CLR bottle. Use plastic or rubber gloves to avoid skin contact. If CLR comes in contact with skin, rinse with clear water.**

1. Drain steam generator tank by setting ON/OFF switch to off. Set cooking timer to “OFF”.
2. Set switch to de-lime. This closes drain valve.
3. Unscrew plug in deliming port at rear of unit. Insert hose in delime fitting. Pour 28 ounces of solution into generator slowly to avoid spillage. Remove hose. Screw plug into deliming fitting so it seals tightly.
4. Allow steamer to remain in ready cycle for 1 ½ hours then turn ON/OFF switch off and allow generator to drain.
5. Flush cycle. Turn ON/OFF switch to on. When ready light comes on, switch to off to flush generator. Repeat this step three times to completely flush generator.
6. Clean exterior and interior. Use a mild solution of soap and water. Rinse with clean water. Dry with a soft clean cloth. Leave compartment door open when not in use.

The steamer is now ready for use or turn off for overnight shutdown.

INSTALLATION AND OPERATION MANUAL AND PARTS,  
ELECTRIC CONVECTION STEAMERS, MODELS: ST-7-TE, ST-10-TE

**7.0 TROUBLESHOOTING**

**PROBLEM**

**POSSIBLE CAUSES**

Cold water flows continuously into drain when steamer is OFF.

Either or both solenoid valves are not closing. Contact your authorized service agency to repair or replace solenoid valves.

Water overflowing into cooking compartment.

Problem with operating probe caused by either:

1. Short between probe terminal and body of steamer. Contact your authorized service agency.
2. Excessive scale build-up on probe. Contact your authorized service agency. Have water quality analysed and corrected immediately to avoid damage to steamer.

Heater elements do not come on.

1. Problem with contactors or thermostat coated with scalant. Contact your authorized service agency. Have water quality analysed and corrected immediately to avoid damage to steamer.

INSTALLATION AND OPERATION MANUAL AND PARTS,  
ELECTRIC CONVECTION STEAMERS, MODELS: ST-7-TE, ST-10-TE

## 8.0 SERVICE

**NOTICE: Contact the factory, the factory representative or local service company to perform any maintenance and repairs.**

### **ADJUSTMENT FOR HIGH ALTITUDE LOCATIONS**

The steamer has been factory set so that when it is ON and during the READY phase, it will maintain water temperature in the steam generator tank at approximately 205 degrees Fahrenheit (just below water boiling point). However, for high altitude locations, an authorized servicer must adjust the steamer to achieve this temperature. To adjust:

1. Remove side panel and turn control panel power switch to ON.
2. Open compartment door, and after about 15 minutes, steam will be seen, entering the cooking compartment.
3. Turn thermostat dial counterclockwise to lower temperature until steam just ceases to enter cooking compartment and READY light goes on.
4. Replace side panel.
5. Follow TESTING PROCEDURES in this manual.

### **WATER FLOWS INTO DRAIN DURING SHUTDOWN**

When steamer is shut down and cold water is running continuously into the open drain, either or both solenoid valves did not close when steamer was turned off.

1. Disassemble solenoid valve(s) and examine for scale or foreign particles lodged in diaphragm or core tube.
2. Clean valve(s) thoroughly and reassemble, or replace valve(s).

### **DRAIN WATER TEMPERATURE TOO LOW OR TOO HIGH**

Cooling solenoid valves are adjustable with fine adjustment screw on the bottom of the valve.

1. Run cooking compartment empty until drain temperature stabilizes.
2. Turn fine adjustment screw on cooling solenoid valve out to decrease drain temperature and in to increase drain temperature.

INSTALLATION AND OPERATION MANUAL AND PARTS,  
ELECTRIC CONVECTION STEAMERS, MODELS: ST-7-TE, ST-10-TE

**8.0 SERVICE** (Continued)

**WATER OVERFLOWS INTO COOKING COMPARTMENT**

When steamer is first turned on for the day, and the following conditions occur:

- READY light does not come on after about 15 minutes,
- Water begins to overflow into cooking compartment,
- Water fill solenoid valve is open,

then any or all of these symptoms may indicate a problem with the operating probe due to either:

1. A short between the operating probe terminal and body of the steamer. Call your authorized servicer.
2. Excessive scale build-up on the operating probe. This acts as an “insulation” and prevents the probe from sensing the water level. It is therefore unable to close the water fill (solenoid) valve to shut off the water.

As a temporary solution, with power OFF, unscrew probes, check visually, and clean or chip off scalant. Replace probe.

This problem is an indication of severe harmful water conditions which should be corrected immediately to avoid damage to the components and ultimate malfunction of the steamer. (See WATER CONDITIONING in this manual).

**HEATER ELEMENTS DO NOT COME ON**

When the steamer is turned ON and heater elements do not activate, and therefore, the READY light does not come on, then the contactors may be burned out. If a considerable amount of “chattering” of contactors has been previously experienced, then the thermostat bulb may be coated with scalant and unable to sense water temperature in the boiler accurately, and therefore unable to control the contactors.

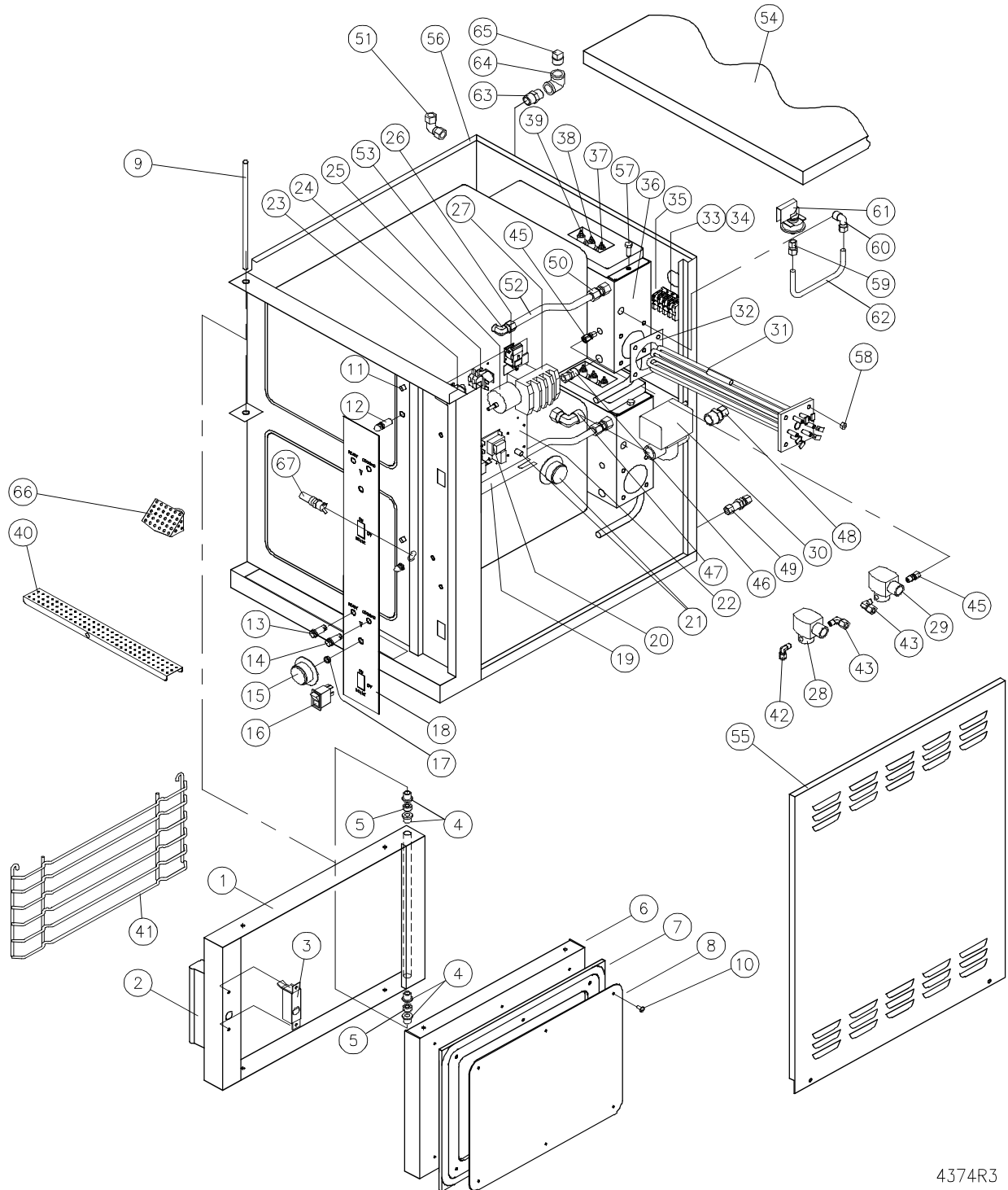
1. Replace contactors.
2. Unscrew operating thermostat bulb, clean off scalants and screw thermostat bulb back in.

This problem is an indication of inadequate water quality and is not covered under warranty. Have water quality analysed and corrected immediately to avoid complete malfunction of the steamer.

INSTALLATION AND OPERATION MANUAL AND PARTS,  
ELECTRIC CONVECTION STEAMERS, MODELS: ST-7-TE, ST-10-TE

**PARTS**

**FIGURE 1**



4374R3

INSTALLATION AND OPERATION MANUAL AND PARTS,  
ELECTRIC CONVECTION STEAMERS, MODELS: ST-7-TE, ST-10-TE

**PARTS**

<b><u>ITEM</u></b>	<b><u>PART NO.</u></b>	<b><u>DESCRIPTION</u></b>	<b><u>ST-7-TE</u></b>	<b><u>ST-10-TE</u></b>
* 1A.	8-5076-9	Door Assembly (Top)	1	
	8-5076-7	Door Assembly (Lower)	1	
	8-5076-8	Door Assembly		2
1.	8-5060-9	Door Frame (Top)	1	
	8-5060-7	Door Frame (Lower)	1	
	8-5060-8	Door Frame		2
2.	8-5066-9	Door Handle Assembly	2	2
*	9-3320	Door Handle Decal	2	2
*	4090-1	Door Handle	2	2
*	4089-1	Door Handle Plate	2	2
*	1-57S7	Socket Set Screw 1/4-20 x 1-3/4	2	2
*	1-56S6	Socket Set Screw 1/4 - 20 x 3/4	1	1
*	4088-1	Spacer	2	2
*	2-W0S2	Lock Washer 1/4	2	2
*	1-59SO	Hex Nut 1/4-20	2	2
3.	8-5068-9	Latch Assembly	2	2
4.	8-5078	Door Bushing	8	8
5.	9-3366	Spacer	4	4
6.	8-5065-9	Door Panel (Top)	1	
	8-5065-7	Door Panel (Lower)	1	
	8-5065-8	Door Panel		2
7.	8-6063-9	Door Gasket (Top)	1	
	8-5063-7	Door Gasket (Lower)	1	
	8-5063-8	Door Gasket		2

INSTALLATION AND OPERATION MANUAL AND PARTS,  
ELECTRIC CONVECTION STEAMERS, MODELS: ST-7-TE, ST-10-TE

<u>ITEM</u>	<u>PART NO.</u>	<u>DESCRIPTION</u>	<u>ST-7-TE</u>	<u>ST-10-TE</u>
8.	8-5064-9	Gasket Plate (Top)	1	
	8-5064-7	Gasket Plate (Lower)	1	
	8-5064-8	Gasket Plate		2
9.	3977-1	Hinge Rod	1	
	3977-2	Hinge Rod		1
*	9-3367	Stainless Steel Washer	1	1
10.	9-1011-1	Gasket Panel Screws	14	16
11.	37871	Actuator c/w Retaining Rings	1	1
*	9-3213	Door Switch	2	2
12.	8-5021	Striker	2	2
*	8-5022	Stainless Steel Washer	2	2
*	1-90SO	Lock Washer	2	2
*	1-99SO	Hex Nut	2	2
13.	4-PL04-1	Pilot Light - Green, 250V	2	2
14.	4-PL07-1	Pilot Light - Red, 250V	2	2
15.	9148-1	Timer Dial	1	1
16.	9124-1	Power Switch	2	2
17.	9109-1	Rotary Shaft Seal	2	2
18.	7641-1	Control Decal	1	
	7642-1	Control Decal		1
19.	2958-1	Component Mounting Board	2	2
**	20. 4038-3	Level Control, 10K OHM	2	2
	5230-2	Level Control, 1M OHM	4	4
21.	9126-1	Operating Thermostat	2	2
	4352-2	Dial	2	2
22.	9128-1	Safety Thermostat	2	2

INSTALLATION AND OPERATION MANUAL AND PARTS,  
ELECTRIC CONVECTION STEAMERS, MODELS: ST-7-TE, ST-10-TE

<u>ITEM</u>	<u>PART NO.</u>	<u>DESCRIPTION</u>	<u>ST-7-TE</u>	<u>ST-10-TE</u>
23.	9-3175	Relay, Single Pole, 240V	2	2
24.	9-3174	Relay, Double Pole, 240V	2	2
25.	08-6464	Timer, 115V	2	2
26.	4742-1	Buzzer, 240V	2	2
** 27.	4916-1	Contactor (208, 220, 240V)	2	2
	4-NG41	Contactor (380, 415, 480, 600V)	2	2
28.	3-S162-1	Cooling Solenoid, 240V, Metering	2	2
29.	5162-1	Fill Solenoid, 240V	2	2
30.	3-S543-1	Drain Solenoid, 240V	2	2
** 31.	8-5208	Element Assembly, 7.5 kW, 208V, (Top)	1	
	8-5220	Element Assembly, 7.5 kW, 220V, (Top)	1	
	8-5240	Element Assembly, 7.5 kW, 240V, (Top)	1	
	8-5287	Element Assembly, 7.5 kW, 480V, (Top)	1	
	8-5347	Element Assembly, 7.5 kW, 600V, (Top)	1	
	8-5050	Element Assembly, 10 kW, 208V, (Lower)	1	
	8-5056	Element Assembly, 10 kW, 220V, (Lower)	1	
	8-5051	Element Assembly, 10 kW, 240V, (Lower)	1	
	8-5052	Element Assembly, 10 kW, 480V, (Lower)	1	
	8-5347-1	Element Assembly, 10 kW, 600V, (Lower)	1	
	8-5053	Element Assembly, 15 kW, 208V		2
	8-5054	Element Assembly, 15 kW, 220V		2
	8-5055	Element Assembly, 15 kW, 240V		2
	8-5057	Element Assembly, 15 kW, 480V		2
	8-5347-2	Element Assembly, 15 kW, 600V		2
32.	8-5092	Element Gasket	2	2

INSTALLATION AND OPERATION MANUAL AND PARTS,  
ELECTRIC CONVECTION STEAMERS, MODELS: ST-7-TE, ST-10-TE

<u>ITEM</u>	<u>PART NO.</u>	<u>DESCRIPTION</u>	<u>ST-7-TE</u>	<u>ST-10-TE</u>	
**	33.	4-33TB	Terminal Block Section	4	4
		4-33TB	Terminal Block Section, 380, 415, 480, 600V	3	3
	34.	4-33ES	End Section	1	1
	35.	4-70EU	Ground Lug	1	1
	36.	6947-1	Generator Tank	2	2
*		2906-1	Tank Cover	2	2
*		9-3214	Tank Gasket	2	2
	37.	3738-3	Probe 5" (Low Level Cut Off)	2	2
	38.	3738-2	Probe 4.25" (Low Level)	2	2
	39.	4-LLP2	Probe 3.68" (High Level)	2	2
	40.	8-5023	Perforated Trough	1	1
	41.	2681-1	Pan Rack (Upper)	2	
		2681-2	Pan Rack (Lower)	2	
		2681-3	Pan Rack		4
*		4721-1	Rack Pin Assembly	8	8
	42.	3-694A	Elbow 1/4C x 1/8 MPT	2	2
	43.	3-696A	Elbow, 3/8C x 1/8 MPT	2	2
	44.	3-686A	Connector 3/8C x 1/8 MPT	2	2
	45.	3-684A	Connector 1/4C x 1/8 MPT	4	4
	46.	2-686C	Thermostat Fitting, 3/8C x 3/8 MPT	2	2
	47.	3-698E	Elbow, 1/2C x 3/4 MPT	2	2
	48.	3-688E	Connector 1/2C x 3/4 MPT	2	2
	49.	37687	Water Connection, 3/8C	2	2
	50.	3-628	Union Coupling, 1/2C	2	2
	51.	3-658	Elbow, 1/2C	2	2

INSTALLATION AND OPERATION MANUAL AND PARTS,  
ELECTRIC CONVECTION STEAMERS, MODELS: ST-7-TE, ST-10-TE

<u>ITEM</u>	<u>PART NO.</u>	<u>DESCRIPTION</u>	<u>ST-7-TE</u>	<u>ST-10-TE</u>	
**	52.	5189-1	Right Hand Steam Tube ½" Diameter	2	2
		5190-1	Left Hand Steam Tube, ½" Diameter	2	2
	53.	3-698B	Elbow 1/2C x 1/4 MPT	4	4
*		3502-1	Steam Diverter	4	4
	54.	B2279	Top	1	1
	55.	6419-1	Side Panel	1	
		6420-1	Side Panel		1
	56.	6417-1	Left Hand Side and Back Panel	1	
		6418-1	Left Hand Side and Back Panel		1
*		9084-1	Nut Cage 1/4-20	2	2
	57.	1-65S8	Hex Bolt 5/16-18 x 1	4	4
	58.	1-59S0	Hex Nut 1/4-20	8	8
	59.	3-666A	Connector 3/8C x 1/8 FPT	2	2
	60.	3-696C	Elbow 3/8C x 3/8 MPT	2	2
	61.	5445-1	Pressure Switch, 5 PSI	2	2
	62.	5494-1	Copper Tube 3/8"	2	2
	63.	3-122D	Brass Nipple ½-14	2	2
	64.	3-100D	Brass Elbow ½-14	2	2
	65.	3-109D	Brass Plug, ½-14	2	2
	66.	5224-1	Compartment Strainer	2	2
	67.	3-TS01	Thermal Switch	2	2

INSTALLATION AND OPERATION MANUAL AND PARTS,  
ELECTRIC CONVECTION STEAMERS, MODELS: ST-7-TE, ST-10-TE

<u>ITEM</u>	<u>PART NO.</u>	<u>DESCRIPTION</u>	<u>ST-7-TE</u>	<u>ST-10-TE</u>	
* **	68.	9001-3	Fuse 1A, 600V (380, 415, 480, 600V)	4	4
		9092-2	Fuse 2A, 250V (208, 220, 240V)	4	4
		9092-2	Fuse 2A, 250V (380/220, 415/240V)	2	2
* **		9068-1	Fuse Holder (208, 220, 240V)	4	4
		9068-1	Fuse Holder (380/220, 415/240)	2	2
		9002-1	Fuse Holder (380, 415, 480, 600V)	4	4
* **	69.	4-T255	Transformer 480 - 240V, 60 Hz, 100 VA	2	2
		4-T251	Transformer 380/415 -240V, 50/60 Hz, 100 VA	2	2
		4-T260	Transformer 600 - 240V, 60 Hz, 100 VA	2	2
*	70.	4204-21	Wiring Harness	1	1
*	71.	5-FS65-1	Bullet, Adjustable Foot - Front	2	2
		4699-1	Flange Adjustable Bullet Foot - Rear	2	2
*	72.	9198-1	Transformer for timer, 230-115V	2	2
* ***	73.	6371-1	Cabinet Assembly (Less Pan Guides)	1	1
* ***	74.	7230-1	Cabinet Door	1	1
* ***	75.	5-MC02	Magnetic Catch	1	1
* ***	76.	6554-1	Right Hand Pan Guide	1	1
* ***	77.	6554-2	Left Hand Pan Guide	1	1
* ***	78.	5-FS67	Flanged Adjustable Feet	2	2
* ***	79.	5-FS68	Adjustable Bullet Feet	2	2

\* NOT SHOWN.

\*\* SELECT AS REQUIRED.

\*\*\* OPTIONAL.

INSTALLATION AND OPERATION MANUAL AND PARTS,  
ELECTRIC CONVECTION STEAMERS, MODELS: ST-7-TE, ST-10-TE

**Revision History**

Revision	Revised By	Pages Affected	Effective Date	Comments
10175R0		All	Sept. 6, 2005	Manual/Parts List for new model for Market Forge.
10175R1	John Derdall	23, 24, 25, 26, 27, 28, 29	Oct. 2005	Item 15, 9148-1 was 4-TD02, Item 67 removed, Item 67 Optional.
	Tony, Val	23, 25, 27, 29.	Nov. 21, 2005	Fig. 1 revised, Item 39 Desc. revised, Items 68 to 78 renumbered.
	John Derdall		12/13/05	ERN-1029 [ECO-316]; P26, #28 3-S162-1 was <a href="#">5162-2</a> and 3-1175
10175R2	Val	6, 12, 21, 26, 29	1/18/06	ERN-1029, add instructions for setting cooling valve (Pgs. 6, 12, 21), ERN-1008, change timer back to 115V, was 9195-1 (Pg.26, #25), Add transformer for timer (Pg. 29, #72)

**ALTERNATE PARTS**

Page	Item	Crown	Market Forge

INSTALLATION AND OPERATION MANUAL AND PARTS,  
ELECTRIC CONVECTION STEAMERS, MODELS: ST-7-TE, ST-10-TE

**Document Responsibility**

<b>Responsibility</b>	<b>Name</b>	<b>Title</b>	<b>Signature</b>
Original Document Production, Archives, Distribution	Lorie Marcocchio	Engineering Clerk	
Content Development, Revision Maintenance	Brian Walters	Technical Service Manager	
Agency Requirements	Val Chlistovsky	Approvals & Quality Engineer, ISO	
Technical Illustration	Tony Cordeiro	CAD Draftsman	
Spare Parts Price List	Domenic Caputi	Sales Coordinator	
Document Review	John Derdall	Manager, Production Engineering, Quality Assurance	

INSTALLATION AND OPERATION MANUAL AND PARTS,  
ELECTRIC CONVECTION STEAMERS, MODELS: ST-7-TE, ST-10-TE

**Distribution**

CROWN FOOD SERVICE EQUIPMENT LTD.

Jeff Stritzel, PLANT 2  
Dave Sodi  
Joe Stritzl  
Brian Walters

MARKET FORGE INDUSTRIES INC., Everett, MA, USA  
Models: ST-7-7E  
ST-10-TE

Mark Manganiello  
Sales Administration/Service Manager

[mark@mfi.com](mailto:mark@mfi.com)

Donna Cesino

[dcesino@mfi.com](mailto:dcesino@mfi.com)