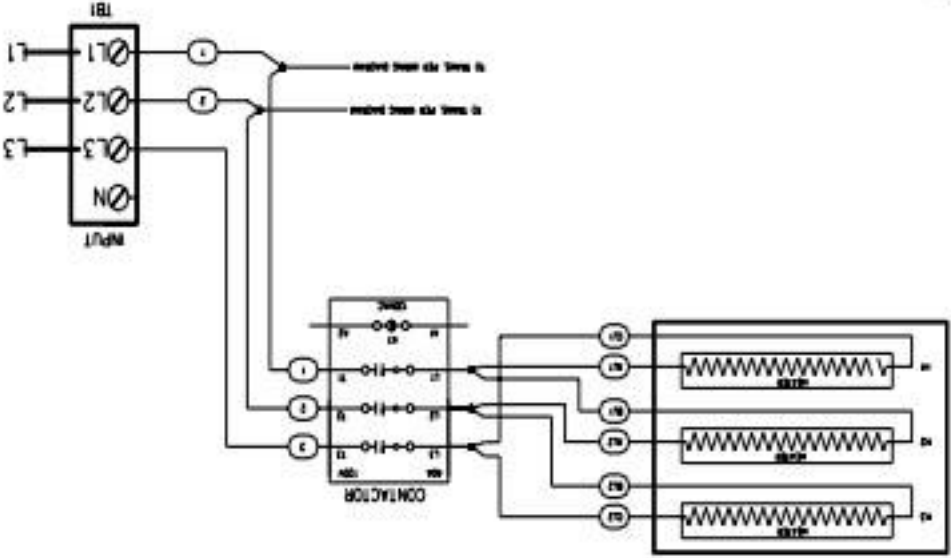


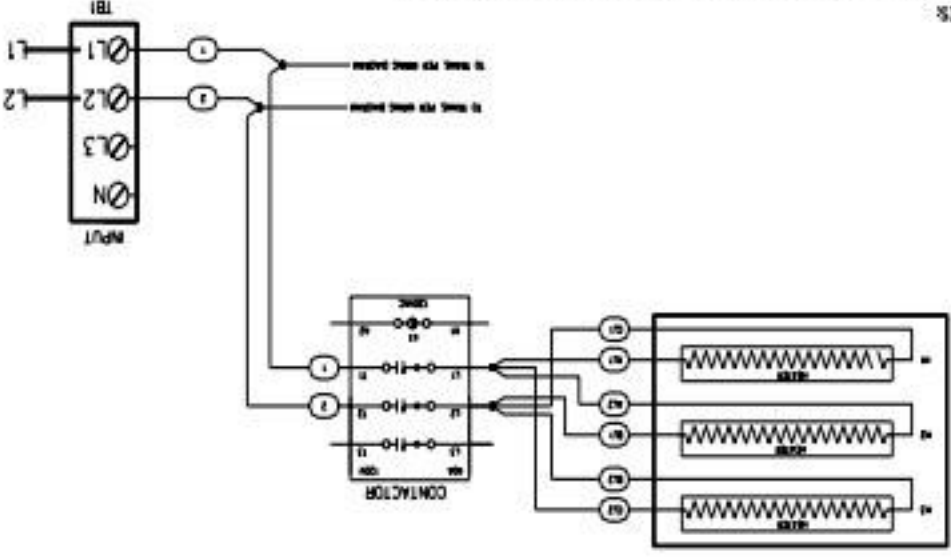
SUPPLEMENTAL WIRING SHEET

3 WIRE, THREE PHASE



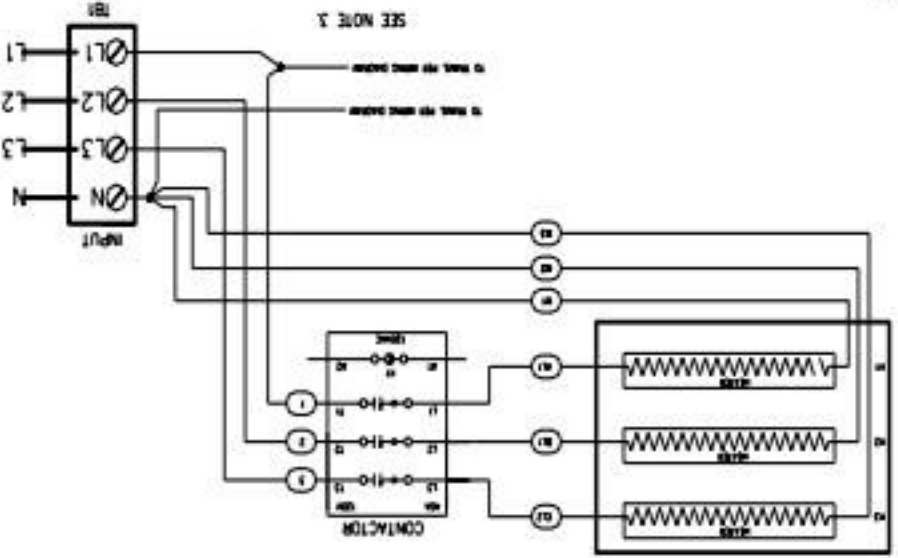
NOTES:
 1. FACTORY SHIPPED UNITS COME WIRED AS ABOVE.
 2. ENSURE HEATERS ARE THE CORRECT SIZE FOR THE INPUT VOLTAGE.

3 WIRE, SINGLE PHASE



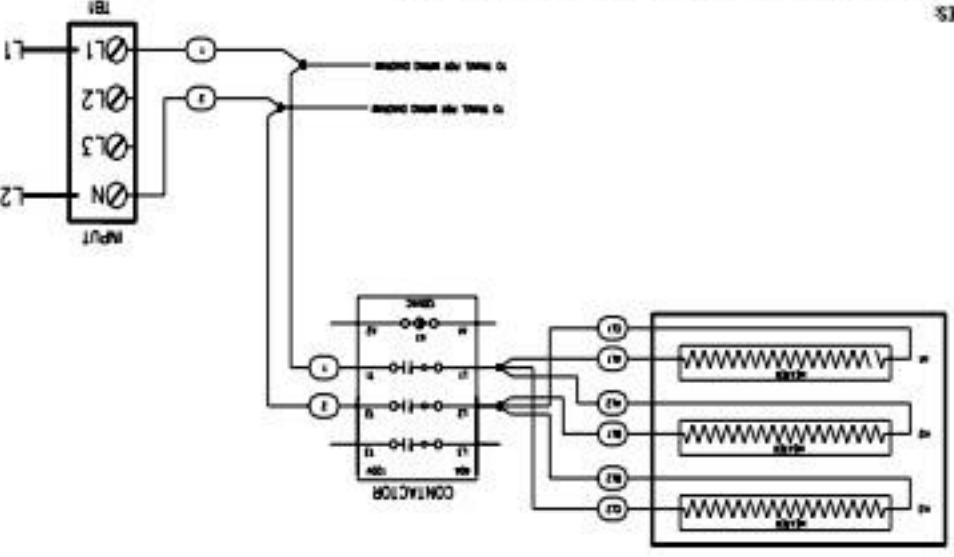
NOTES:
 1. ON CONTACTOR REMOVE H3 WIRE C2 FROM PIN 3 AND MOVE TO PIN 1.
 2. ON CONTACTOR REMOVE H1 WIRE C1 FROM PIN 3 AND MOVE TO PIN 2.
 3. ENSURE HEATERS ARE THE CORRECT SIZE FOR THE INPUT VOLTAGE.
 4. FOR SINGLE PHASE 208V, USE 65A CONTACTOR.

4 WIRE, THREE PHASE



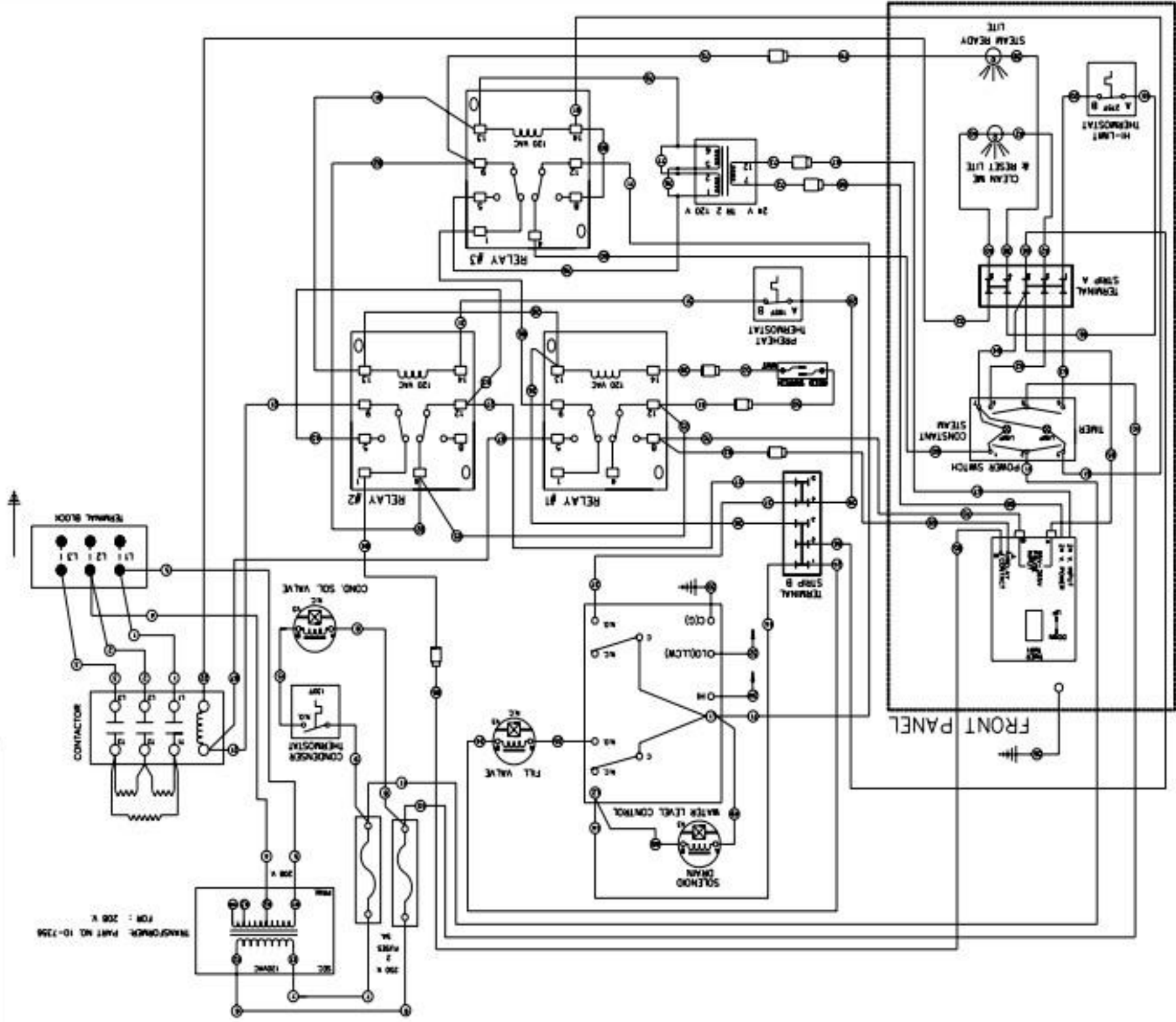
NOTES:
 1. USE WIRING HARNESS PROVIDED.
 2. ENSURE HEATERS ARE THE CORRECT SIZE FOR THE INPUT VOLTAGE.
 3. USE CORRECT TAP (NEUTRAL WIRE) FOR THE INPUT VOLTAGE.
 SEE NOTE 3.

4 WIRE, SINGLE PHASE



NOTES:
 1. ON CONTACTOR REMOVE H3 WIRE C2 FROM PIN 3 AND MOVE TO PIN 1.
 2. ON CONTACTOR REMOVE H1 WIRE C1 FROM PIN 3 AND MOVE TO PIN 2.
 3. ENSURE HEATERS ARE THE CORRECT SIZE FOR THE INPUT VOLTAGE.

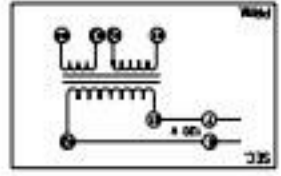
STEAM-TECH DIGITAL TIMER



AMPERES		VOLTS	
3 PHASE 1 PHASE	3 PHASE 1 PHASE	3 PHASE 1 PHASE	3 PHASE 1 PHASE
57-36 (9 KW)	57-52 (14 KW)	208 V	249.6
		240 V	21.65
		480 V	10.82
		208 V	36.86
		240 V	33.67
		480 V	16.83

PRIMARY CONNECT WIRE CONNECT WIRE		VOLTAGE LEAD #5 WITH LEAD #4 WITH	
H1 AND J1	H2 AND H4	H1 AND J1	H2 AND H4
H1	H4	H1	H4

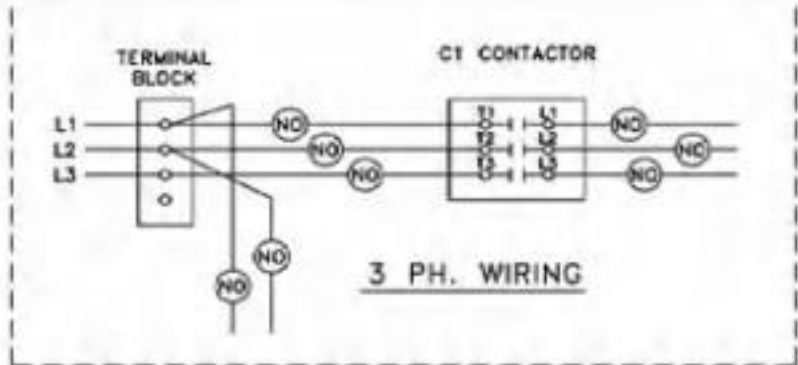
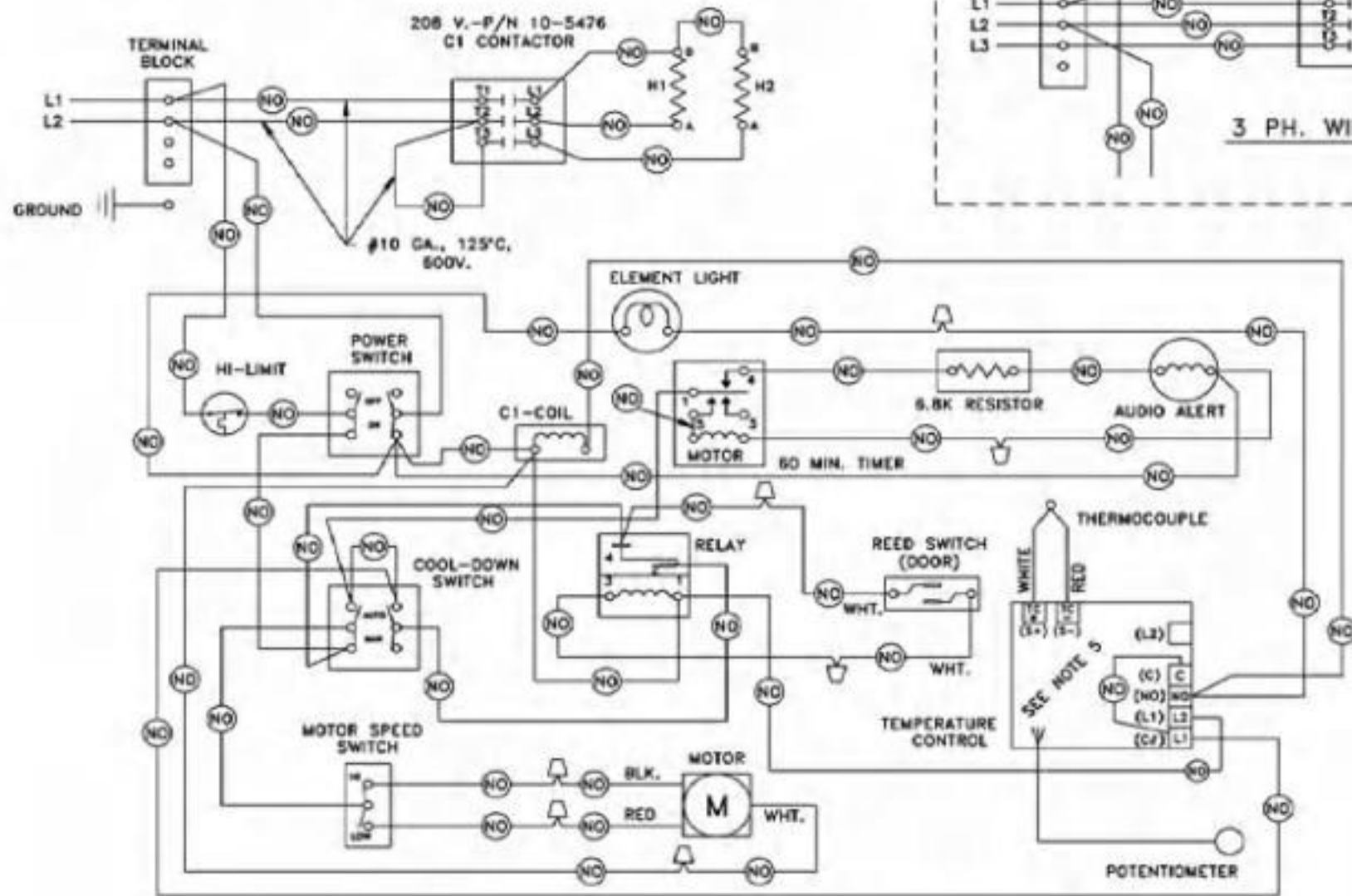
AND ADD 4 AMPERES FROM H3 TO H3



TRANSFORMER PART NO. 10-7255 FOR 240 AND 480

TRANSFORMER PART NO. 10-7256 FOR 200 V

NOTE - SUPPLY CONNECTIONS: SEE MARKING PLATE AT SUPPLY CONNECTIONS



NOTES

1. ALL WIRES IN HEATING CIRCUIT TO BE #10 GA., 125°C, 600 V., EXCEPT AS NOTED.
2. ALL WIRES IN CONTROL CIRCUIT TO BE #18 GA., 125°C, 600 V.
3. H1-INNER 208/220 V. (P/N 09-7336).
4. H2-OUTER-208/220 V. (P/N 09-7241).
5. TERMINAL DESIGNATIONS IN () ARE FOR ALTERNATE QUANTUM TEMP. CONTROL. NOTE ALSO THAT (L2) IS LINE1

VOLTS	L1	L2	L3	PHASE
208/220	24	24	—	1
	26	26	—	1
208/220	21	12	12	3
	22	12.71	12.71	3

REV	DATE	BY/CHKD	DESCRIPTION
1	7-1-87	D. CRYSTAL	ISSUED FOR PRODUCTION
2	7-1-87	D. CRYSTAL	REVISED TO ADD THERMOCOUPLE
3	7-1-87	D. CRYSTAL	REVISED TO ADD POTENTIOMETER
4	7-1-87	D. CRYSTAL	REVISED TO ADD AUDIO ALERT
5	7-1-87	D. CRYSTAL	REVISED TO ADD 60 MIN. TIMER
6	7-1-87	D. CRYSTAL	REVISED TO ADD 5.8K RESISTOR
7	7-1-87	D. CRYSTAL	REVISED TO ADD REED SWITCH
8	7-1-87	D. CRYSTAL	REVISED TO ADD RELAY
9	7-1-87	D. CRYSTAL	REVISED TO ADD COOL-DOWN SWITCH
10	7-1-87	D. CRYSTAL	REVISED TO ADD MOTOR SPEED SWITCH
11	7-1-87	D. CRYSTAL	REVISED TO ADD HI-LIMIT SWITCH
12	7-1-87	D. CRYSTAL	REVISED TO ADD POWER SWITCH
13	7-1-87	D. CRYSTAL	REVISED TO ADD ELEMENT LIGHT
14	7-1-87	D. CRYSTAL	REVISED TO ADD C1 CONTACTOR
15	7-1-87	D. CRYSTAL	REVISED TO ADD THERMOCOUPLE
16	7-1-87	D. CRYSTAL	REVISED TO ADD POTENTIOMETER
17	7-1-87	D. CRYSTAL	REVISED TO ADD AUDIO ALERT
18	7-1-87	D. CRYSTAL	REVISED TO ADD 60 MIN. TIMER
19	7-1-87	D. CRYSTAL	REVISED TO ADD 5.8K RESISTOR
20	7-1-87	D. CRYSTAL	REVISED TO ADD REED SWITCH
21	7-1-87	D. CRYSTAL	REVISED TO ADD RELAY
22	7-1-87	D. CRYSTAL	REVISED TO ADD COOL-DOWN SWITCH
23	7-1-87	D. CRYSTAL	REVISED TO ADD MOTOR SPEED SWITCH
24	7-1-87	D. CRYSTAL	REVISED TO ADD HI-LIMIT SWITCH
25	7-1-87	D. CRYSTAL	REVISED TO ADD POWER SWITCH
26	7-1-87	D. CRYSTAL	REVISED TO ADD ELEMENT LIGHT
27	7-1-87	D. CRYSTAL	REVISED TO ADD C1 CONTACTOR

TOLERANCES UNLESS OTHERWISE SPECIFIED

FRACTIONS	± 1/16
.0	± .032
.00	± .015
.000	± .005
ANGLES	± 1°

MARKET FORCE
EVERETT, MA. 02149

WIRING DIAGRAM - 208 V., 1 & 3 PH. 60 HZ.,
K MART 4200 ELEC. OVEN

DATE: 7-1-87

SCALE: 1/8"

REV. NO. C

99-5820

995820