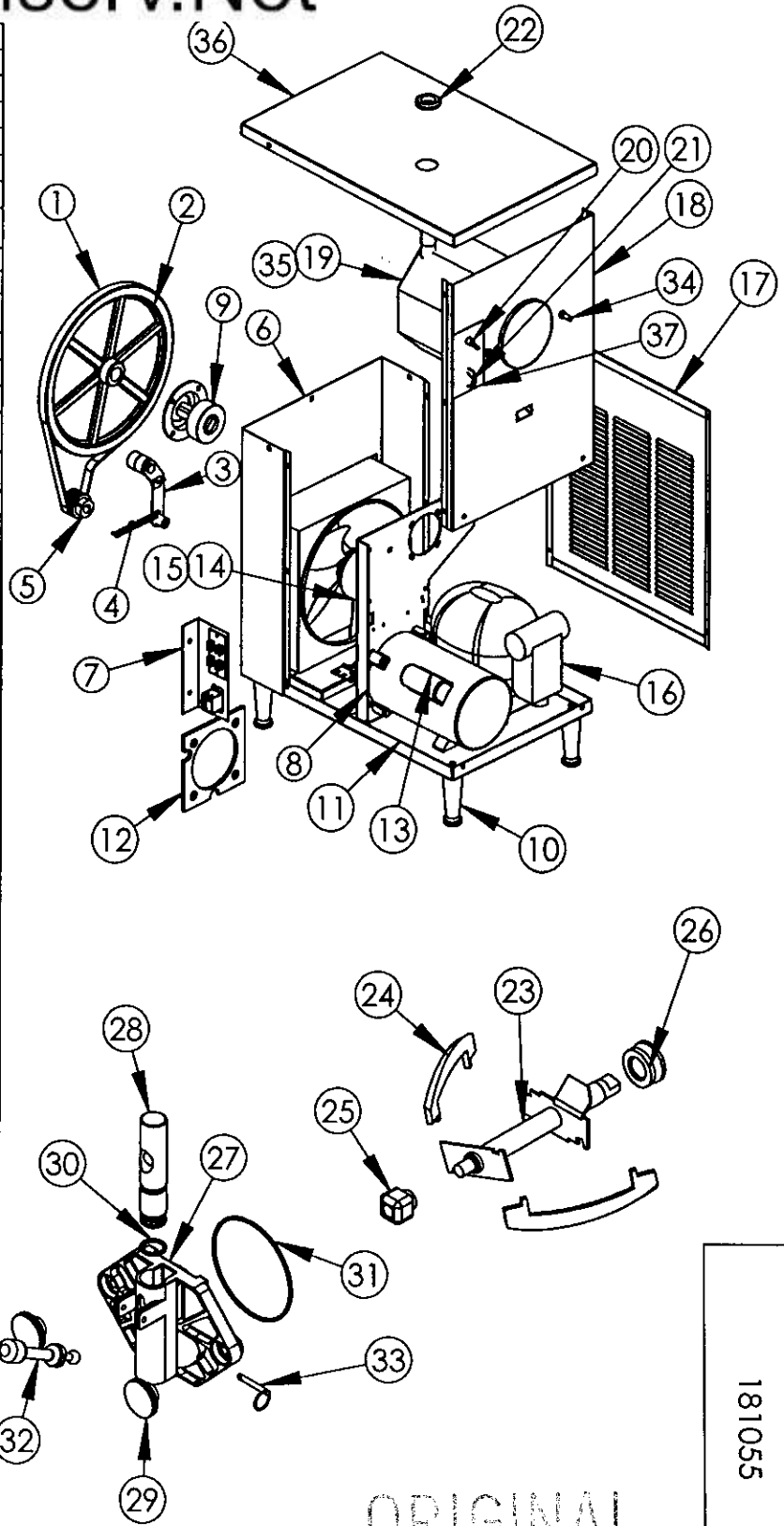


Saniserv.Net

ITEM	QTY.	P/N	DESCRIPTION
1	1	58888	Belt
2	1	10212	Driven Pulley
3	1	103249	Belt Idler
4	1	64515	Idler Spring
5	1	10652	Drive Pulley
6	1	109537	Rear Panel
7	1	15856	Wirebox Assembly
	1	K00183	Relay
	1	61073	Terminal Board
8	1	110011	Evaporator Support
9	1	2858	Bearing & Shaft
	1	109270	Bearing Cap
10	4	64135	Legs
11	1	75822	Condensing Base
12	1	102427	Motor Spacer Plate
13	1	75272	Dasher Motor
	1	104267	Motor Saddle
14	1	75595	Fan Motor
15	1	75365	Fan Blade
16	1	75827	Compressor
	1	76475	Start Capacitor
	1	76477	Current Relay
	1	76476	Compressor Overload
17	2	108526	Side Panel
18	1	110051	Front Panel
19	1	110049	Evaporator Assy
20	1	70426	Toggle Switch
21	1	70376	Timer
22	1	58481	Funnel Grommet
23	1	110072	Dasher
24	2	110071	Dasher Flite
25	1	110023	Dasher Front Bearing
26	1	108541	Rear Seal
27	1	110073	Face Plate
28	1	105503	Spigot Plunger
29	2	64065	Face Plate Knob
30	2	58923	Plunger O-ring
31	1	58911	Face Plate O-ring
32	1	65632-01	Spigot Handle
33	1	64255	Faspin
34	2	7107	Face Plate Stud
35	1	105406	Drip Chute
	1	110096	Drip Chute Hanger
36	1	110052	Top Cover
37	1	9721	Decal



Refrigeration Parts

Access Valve, 1/4"	71046
Access Valve, 3/8"	71021
Drier	71022
Expansion Valve	71035

ORIGINAL

181055

SaniServ	Model DF-300	BOM 2050010	
	Description 115V, 1PH, 60 HZ	File 181055B.SLDDRW	
Exploded View	Wiring Box 15856	ECN 1602	Date 4/3/06
	Wiring Dia. 81396	Sheet 1 of 1	