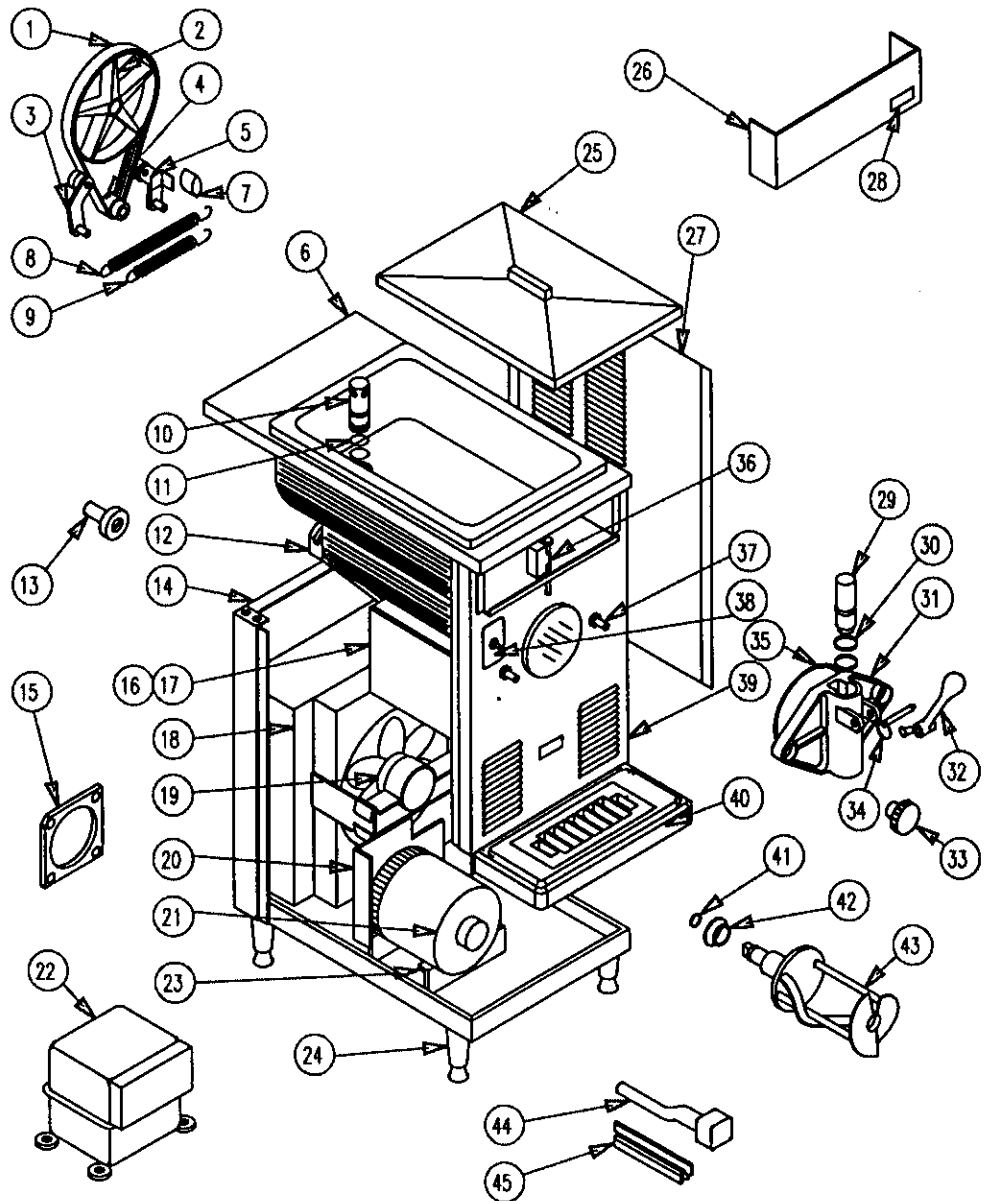


Parts List
(115V, 1PH, 60HZ)
Model DF-200

Saniserv.Net

1. Belt.....58888
2. Pulley.....10212
3. Belt Idler.....103249
4. Pulley.....10208
5. Torque Idler.....104973
6. Mix Pan and Evaporator
Top Cover Assy.....110045
7. Cushion.....104648
8. Torque Spring.....64504
9. Idler Spring.....64515
10. Carb Tube.....109667
11. Carb Tube O-Ring (2).....58947
12. Drip Chute.....105406
13. Drip Chute Hanger.....110096
14. Bearing & Shaft.....2858
Bearing Cap.....109270
15. Back Panel.....109537
16. Motor Gasket.....102427
17. Wire Box Assy (See Below)
18. Wiring Box Cover.....109539
Power Cable.....61266
19. Condensing Base.....75822
20. Fan Motor.....75595
Fan Blade.....75365
21. Motor Support.....110011
22. Dasher Motor.....75272
23. Compressor.....75827
Start Capacitor.....76475
Current Relay.....76477
Compressor Overload.....76476
24. Motor Saddle.....104267
25. Leg (4).....64135
26. Mix Pan Lid.....108302
27. Spigot Housing Cover.....105532-02
28. Side Panel (2).....108526
29. Logo.....16039
30. Spigot Plunger.....105503
31. Plunger O-Ring (2).....58923
32. Front Plate.....65631
33. Spigot Handle.....K00130
34. Front Plate Knob (2).....64065
35. Faspin.....64255
36. Front Plate O-Ring.....58911
37. Spigot Switch.....70008
Spigot Switch Plunger.....105529
Spring.....105684
Housing Assy.....105526-01
Switch Bracket.....105530
38. Front Plate Stud (2).....7107
39. Switch, Toggle.....S0332300
Switch Decal.....9719
40. Front Panel.....110047
41. Drip Tray Support.....108976
Drip Tray.....108867
Drip Tray Insert.....108868
42. Dasher O-Ring.....58903
43. Rear Seal.....108541
44. Dasher.....104991
45. Stator Rod.....105531
46. Scraper Blade.....104984-02



Refrigeration Parts

- Access Valve, 1/4".....71046
 Access Valve, 3/8".....71021
 Drier.....K00157
 Expansion Valve.....71035

ORIGINAL

181053

SaniServ
Exploded View

Model DF-200
 Description 115V, 1PH, 60Hz
 Wiring Box 15855
 Wiring Dia. 81395

BOM 4050010
 File 181053B.DWG
 ECN 1602
 Date 4/03/06
 Sheet 1 of 1

B