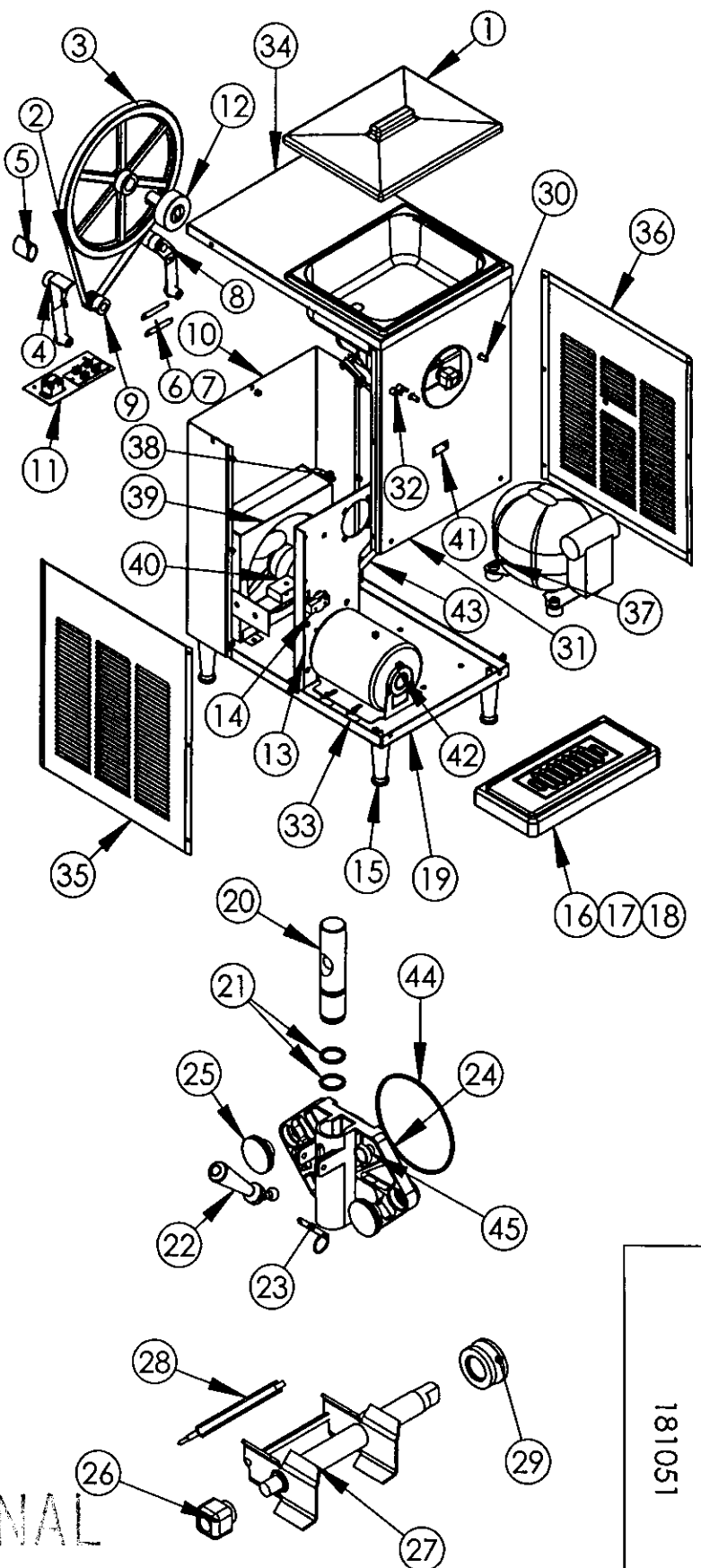


ITEM NO.	PART NO.	DESCRIPTION	QTY.
1	108302	LID, MIX PAN	1
2	58888	BELT	1
3	10212	DRIVEN PULLEY	1
4	104973	TORQUE IDLER	1
5	104648	CUSHION	1
6	64040-02	IDLER SPRING	1
7	64040-02	TORQUE SPRING	1
8	103249	BELT IDLER	1
9	10208	DRIVE PULLEY	1
10	110026	BACK PANEL	1
11	K00183	RELAY	1
	61073	TERMINAL BOARD	1
12	2858	BEARING & SHAFT	1
13	110011	SUPPORT, EVAP.	1
14	70008	TORQUE SWITCH	1
15	64135	LEGS	4
16	108975	DRIP TRAY SUPPORT	1
17	108867	DRIP TRAY	1
18	108868	DRIP TRAY INSERT	1
19	110019	BASE FRAME	1
	110076	BASE INSERT	1
20	105503	SPIGOT PLUNGER	1
21	58923	PLUNGER O-RING	2
22	K00130	SPIGOT HANDLE	1
23	64255	FASPIN	1
24	105610	FRONT PLATE	1
25	64065	FRONT PLATE KNOB	2
26	110023	DASHER BUSHING	1
27	110012	DASHER ASSY	1
28	110022	SCRAPER BLADE	1
29	108541	REAR SEAL	1
30	7107	FRONT PLATE STUD	2
31	110025	FRONT PANEL	1
	9718	FRONT GRAPHIC	1
32	70426	TOGGLE SWITCH	2
33	110020	MOTOR RISER	4
34	110009	TOP COVER ASSY	1
35	108526	SIDE PANEL, LEFT	1
36	110031	SIDE PANEL, RIGHT	1
37	75847	COMPRESSOR	1
38	75445	CONDENSER	1
39	110016	CONDENSER SHROUD ASSY.	1
40		FAN ASSY	1
	75446	FAN BLADE	1
	75023	FAN MOTOR	1
	106472	UPPER FAN SUPPORT	1
	110018	LOWER FAN SUPPORT	1
41	105406	DRIP CHUTE	1
	110096	DRIP CHUTE HANGER	1
42	75846	DASHER MOTOR	1
43	110042	TORQUE ADJUSTMENT GUIDE TUBE	1
44	58911	O-RING, FRONT PLATE	1
45		VENT VALVE ASSY.	1
	58952	O-RING, VENT PLUNGER	1
	60335	SCREW, VALVE	1
	64420	KNOB	1
	64508	SPRING, VENT PLUNGER	1



Saniserv.Net

REFRIGERATION PARTS:
 CAP TUBE (1) 110021
 HIGH PRESSURE SWITCH (1) 71090
 DRIER (1) K00157

ORIGINAL

181051

SaniServ	Model DF-100	BOM 7030010	
	Description 115/1 PH/ 60HZ	File 181051C.SLDDRW	
Exploded View	Wiring Box 15853	ECN 1602	Date 4/3/06
	Wiring Dia. 81394	Sheet 1 of 1	

C