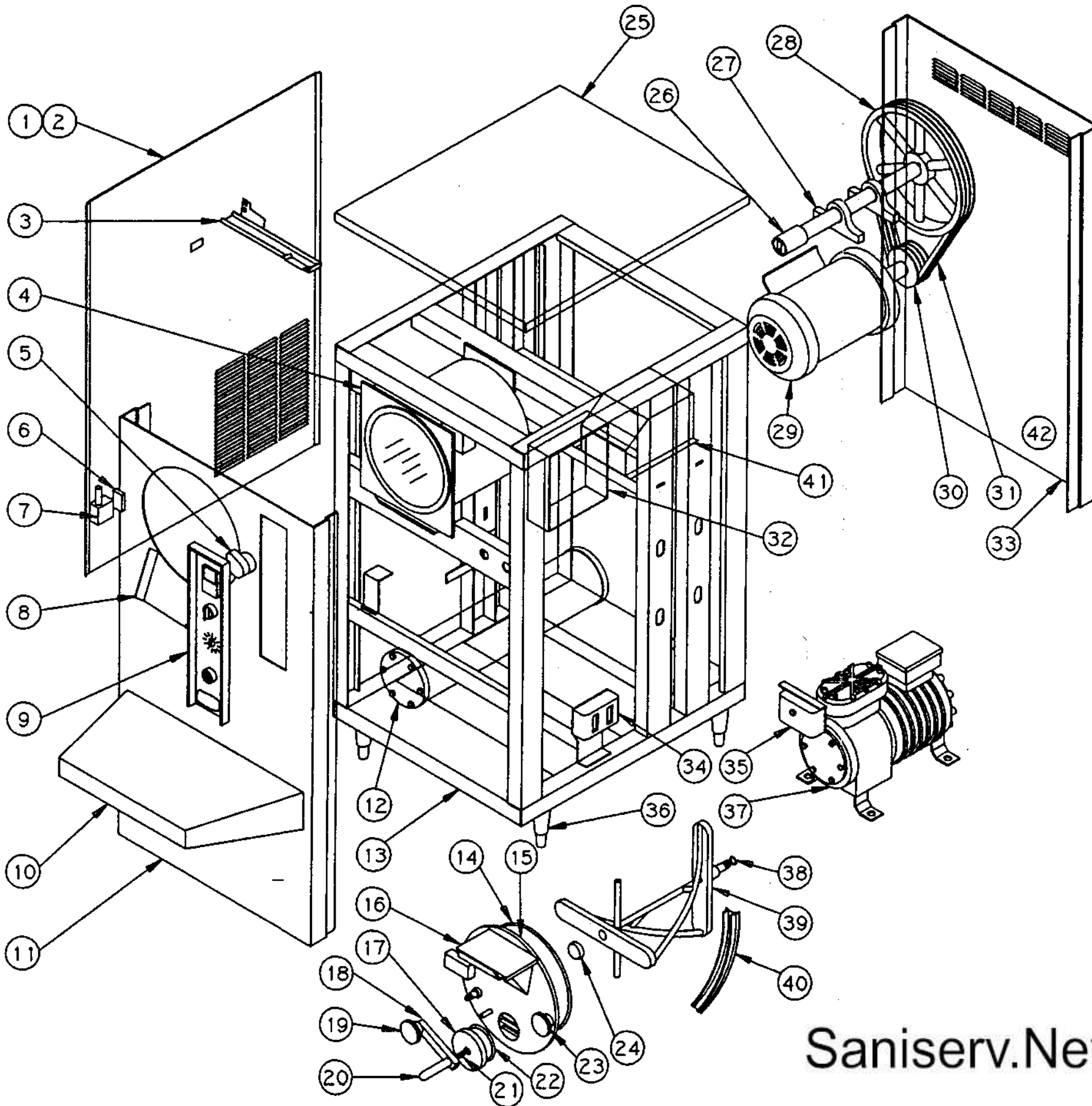


Material: ASSEMBLY      Weight: 180865      Rev. D



### PARTS LIST

1. LEFT SIDE PANEL (WATER) ... 106900
2. RIGHT SIDE PANEL (WATER) ... 106899
3. DRIP CHUTE ASSEMBLY ... 107181
4. EVAPORATOR ASSEMBLY ... 106712
5. BUSHING ... 106811
6. NUT ... 106812
7. LUG ... 1056-01
8. LUG BOLT ... 59957
9. PIVOT FRAME SPACER ... 106879
10. PIVOT FRAME HINGE ... 106841
11. DEFLECTOR CHUTE ... 106642
12. 10/32 X 3/8 WELD STUD (2) ... 60579
13. KNOB (2) ... 64420
14. CONTROL PANEL ... 106650
15. DECAL ... 9607
16. AMMETER ... 70339
17. KNOB, SELECTOR 3 POS BU LT. ... 70333
18. SWITCH, LT MTG BASE 220V (2) ... 70334
19. TIMER ... 70376
20. RESET BUTTON ... 512019
21. CONTAINER SUPPORT ... 106176
22. STUD (2) ... 106842
23. FRONT PANEL ... 106905
24. W/C CONDENSER ... 75407
25. CONDENSER BRACKET (2) ... 71067
26. FRAME ASSEMBLY ... 106880
27. INSERT, BASE PLATE (WATER) ... 107426
28. EVAPORATOR DOOR O-RING ... 58963
29. EVAPORATOR DOOR ASSEMBLY ... 106877
30. MIX INLET HOPPER LID ... 106820
31. MIX DOOR ... 106633
32. MIX DOOR PIVOT ARM ... 106634
33. MIX DOOR PIVOT ARM KNOB ... 64065
34. MIX DOOR HANDLE ... 106676
35. MIX DOOR SPRING ... 64511
36. MIX DOOR O-RING ... 541098
37. LUG KNOB ... 106093
38. BEARING PLUG ... 106813
39. TOP PANEL ... 106902
40. DRIVE SHAFT ASSEMBLY ... 107193
41. PILLOW BLOCK BEARING (2) ... 1173
42. DRIVEN PULLEY (DASHER) ... 10622
43. BUSHING SK x 1 ... 10623
44. DASHER MOTOR 440 3 50 ... 75624
45. DRIVE PULLEY (MOTOR) ... 10628
46. BUSHING SH 1 3/8" ... 10423
47. BELT (3) ... 58848
48. 3 PH. W/C WRNG BOX ASSY ... 15709
49. BRACKET ... 106904
50. BACK PANEL (WATER) ... 106898
51. DUAL PRESSURE SWITCH ... 552004
52. OIL FAILURE SWITCH ... 552005
53. CASTERS ... 188124
54. 3 HP COMPRESSOR (3 PH) ... 75774
55. ROTOLock VALVE ... 75413
56. CRANKCASE HEATER ... 515001
57. DRIER ... 71010
58. SOLENOID COIL ... 71040
59. SOLENOID VALVE ... 71041
60. WATER REGULATOR VALVE ... 71064
61. DASHER O-RING ... 58972
62. DASHER ASSEMBLY ... 106852
63. SCRAPER BLADE (2) ... 106914
64. TRANSFORMER (WATER) ... 70273
65. GROMMET (2) ... 58481

Saniserv.Net

WIRING DIAGRAM (3 PHASE) ... 81227-5

2020 PRODUCTION DRIVE INDIANAPOLIS, INDIANA 46241		Part: EXPLODED VIEW		380/400V, 3Ø, 50 Hz		Mod. No. B20 (WATER)		B/U to B20W353		Date 1-21-91		Rev. D	
		Drawn: SCHOPPER		Chkd. B		SHEET 1 OF 1		180865		Scale: NONE		Rev. D	
		UNLESS OTHERWISE SPECIFIED TOLERANCES		DECIMAL		FRACTIONAL		ANGULAR		REMOVE ALL BURRS AND BREAK SHARP EDGES		DO NOT SCALE DRAWING	
D		UPDATED OBSOLETE EXP. VIEW		6/5/82		JR							
C		# 37 COMPRESSOR WAS 75611		5/21/91		JP							
B		ADDED 10623 10621 70273		DELETED 70275		7-9-91		UN					
A		ADDED 58481, 107426				4-4-91		UN					
Rev.		Revisions		Date		By							