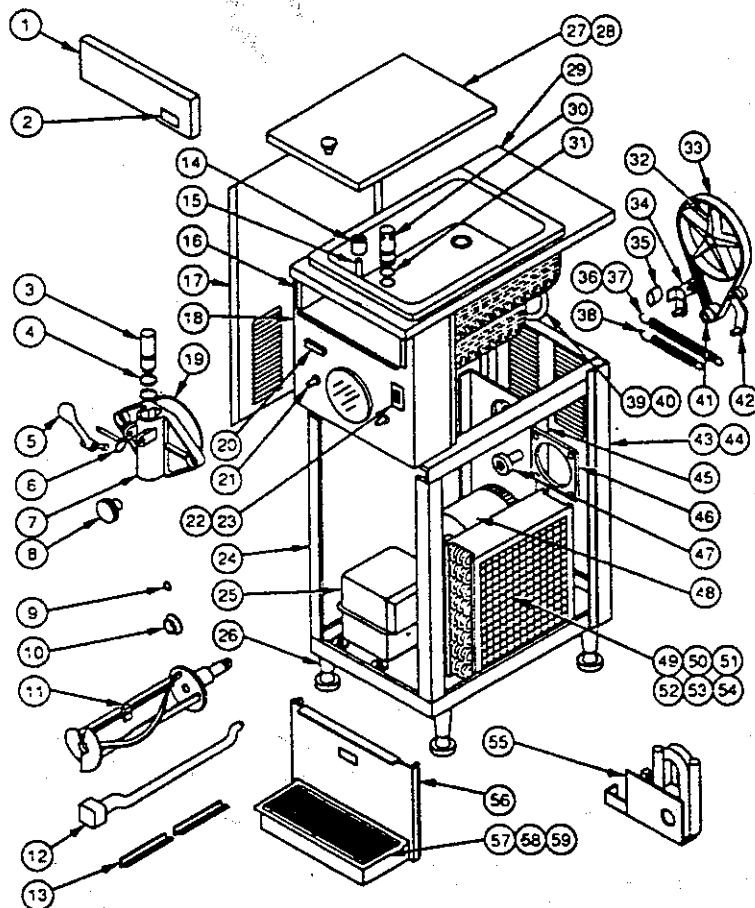
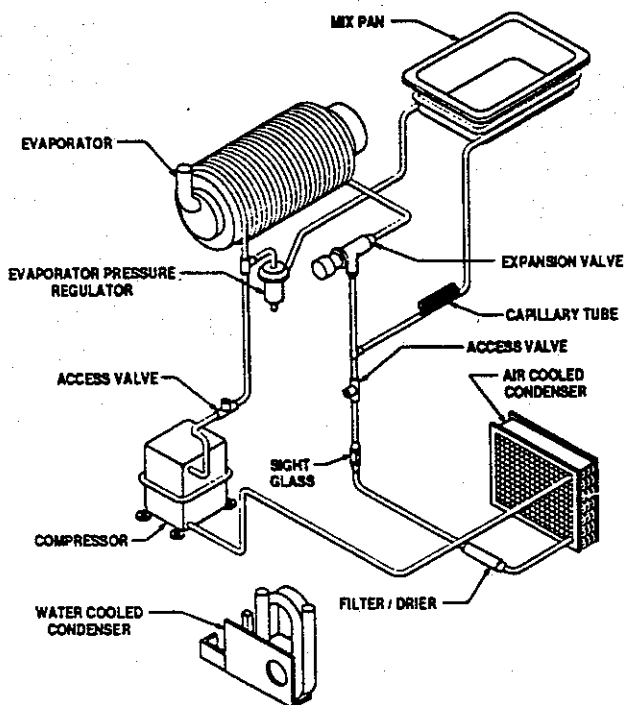


# Saniserv.Net 708E

## Frozen Beverage



**Exploded View**



**Refrigeration System**

### PARTS LIST

1. Wiring Box Cover .....	105346
2. Logo .....	16023
3. Spigot Plunger .....	105503
4. O-Rings (2) .....	58923
5. Spigot Handle .....	65632-02
6. Faspin .....	64255
7. Front Plate .....	65631-01
8. Knobs (2) .....	64065
9. O-Ring .....	58917
10. Rear Seal .....	104916
11. Dasher .....	3113-01
12. Stator Rod .....	65633
13. Scraper Blades (2) .....	104984
14. Mix Out Float .....	61396
15. Reed Switch .....	61397-01
16. Wiring Box Assy. ....	15623-04
17. Side Panels (2) .....	106173-02
18. Upper Front Panel .....	105341
19. O-Ring .....	58911
20. Mix Out Light .....	61395
21. Front Plate Studs (2) .....	7107
22. Switch .....	70023
Switch Cover .....	106213
23. Switch Decal .....	9510
24. Frame Assy. ....	105326
25. Compressor .....	75569
Start Capacitor .....	76516
Relay .....	76517
26. Legs (4) .....	64135
27. Mix Pan Lid .....	104278-02
28. Knob .....	64420
29. Mix Pan and Evap. Top Cover	
Assy. ....	105453
30. Carburetor Tube .....	105436
31. O-Rings (2) .....	58947
32. Pulley .....	10212
33. Belt .....	58887
34. Torque Idler .....	103248
35. Cushion .....	104648
36. Torque Spring Cable .....	103745
37. Torque Spring .....	64040-02
38. Idler Spring .....	64515
39. Hanger .....	105369
40. Drip Chute .....	105360
41. Pulley .....	10290
42. Belt Idler .....	103249
43. A/C Back Panel .....	106172-02
44. W/C Back Panel .....	106175-02
45. Evaporator Support .....	106170
46. Gasket .....	102427
47. Bearing & Shaft .....	2858
48. Dasher Motor .....	75272
49. A/C Condenser Assy. ....	105270
50. Fan Motor .....	75023
51. Fan Blade .....	75312
52. Motor Bracket .....	7199
53. A/C Base Plate .....	106214
54. W/C Base Plate .....	106227
Wiring Barrier .....	106221
55. W/C Condenser .....	75048
Water Valve .....	1593
56. Lower Front Panel .....	106174-02
57. Drip Tray Support .....	105595
58. Drip Tray .....	102054
59. Drip Tray Insert .....	101948

### REFRIGERATION PARTS

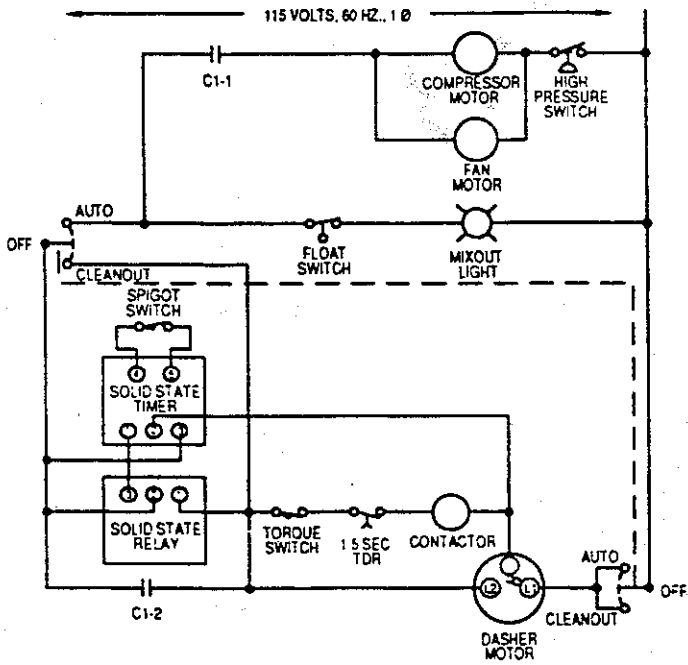
Access Valve .....	71032
Access Valve .....	71046
Cap Tube .....	3084
Drier .....	71003
EPR Valve .....	71082
Expansion Valve .....	71035
Sight Glass .....	71036

### WIRING BOX PARTS

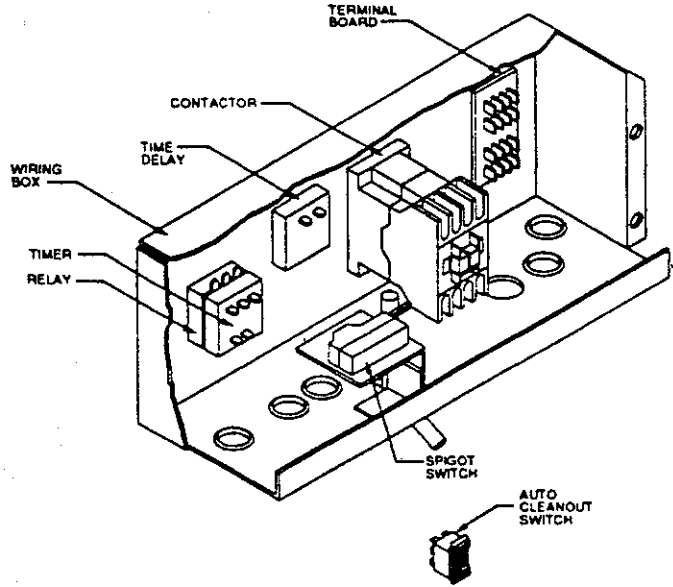
Auto/Cleanout Switch .....	70023
Contactors .....	70126
Spigot Switch .....	70008
Relay .....	70290
Terminal Board .....	61073
Time Delay .....	70263
Timer .....	70368
P/N 80963 .....	Rev. 040190

70812

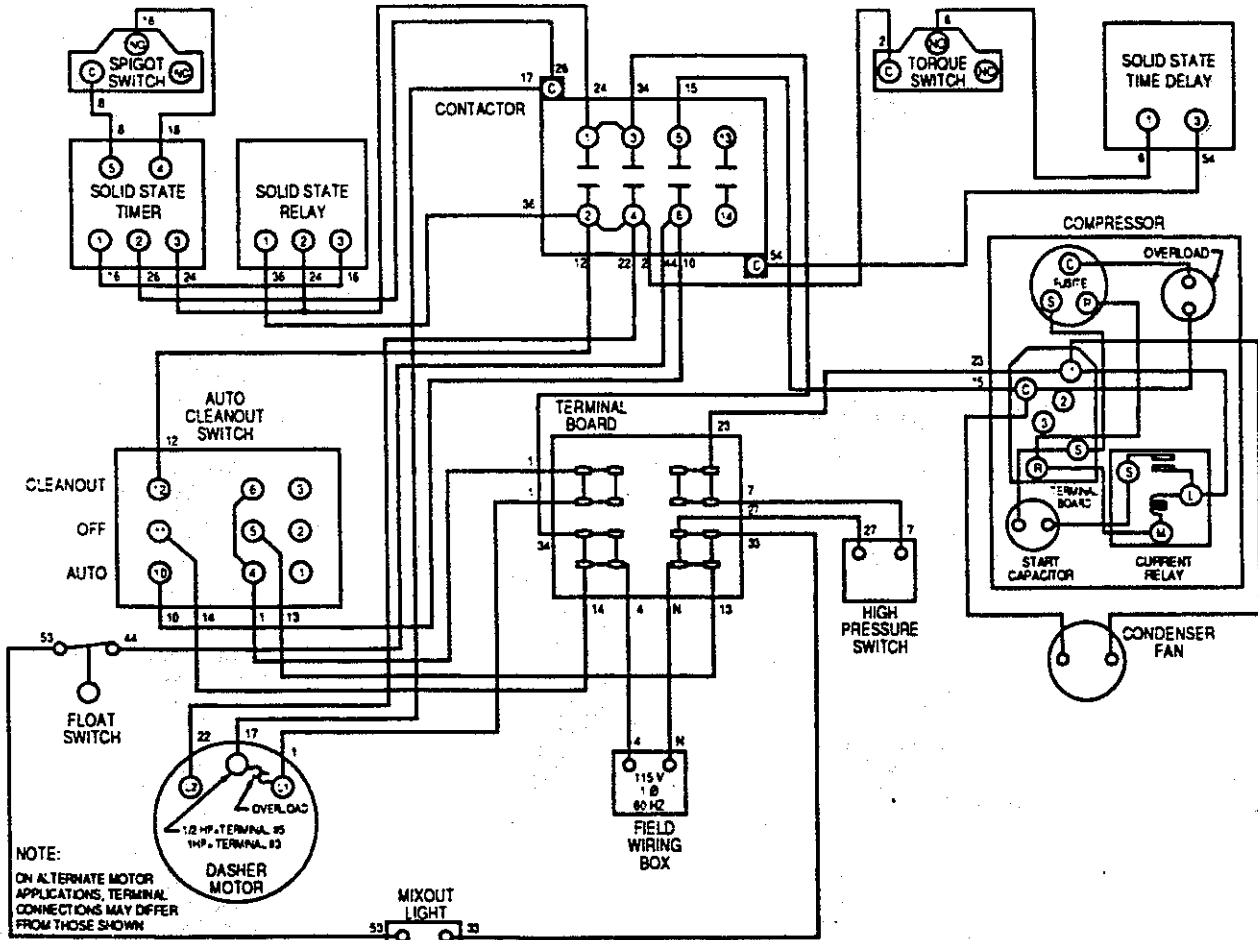
# 115 V/60 HZ/1PH



Ladder Schematic



Wiring Box Assembly



NOTE:  
ON ALTERNATE MOTOR APPLICATIONS, TERMINAL CONNECTIONS MAY DIFFER FROM THOSE SHOWN